

11:52:27 AM

12/28/2007

p:\02files\020405\02-0405\028.WD 17 Bridge Plans\Bridges\Plans\014-0077\22-Pier-3.dwg

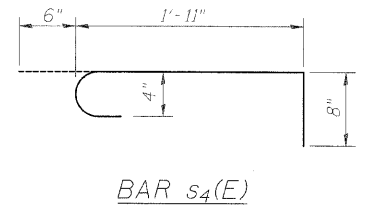
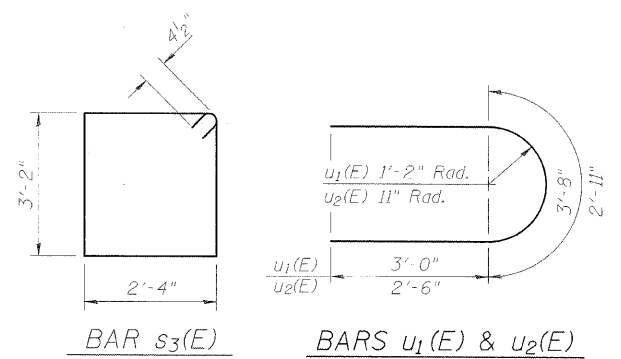
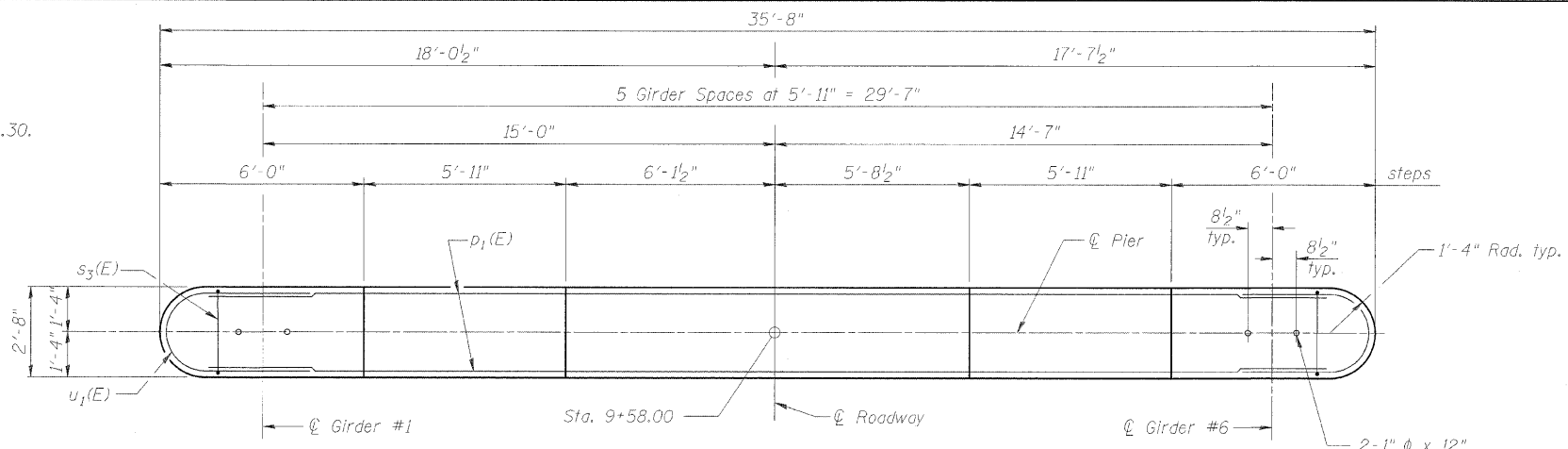
ROUTE NO.	SECTION	COUNTY	TOTAL SHEETS	SHEET	SHEET NO.
F.A.S. 1780	27-1BR-1	CLINTON	69	47	22
FED. ROAD DIST. NO. 8	ILLINOIS	FED. AID PROJECT-			

Contract # 76961

Notes:
 Space reinforcement in cap to miss anchor bolts.
 Pour steps monolithically with cap.
 For details of piles, see sheet 24 of 27.
 The Seal Coat Concrete is designed for water elevation 432.30.

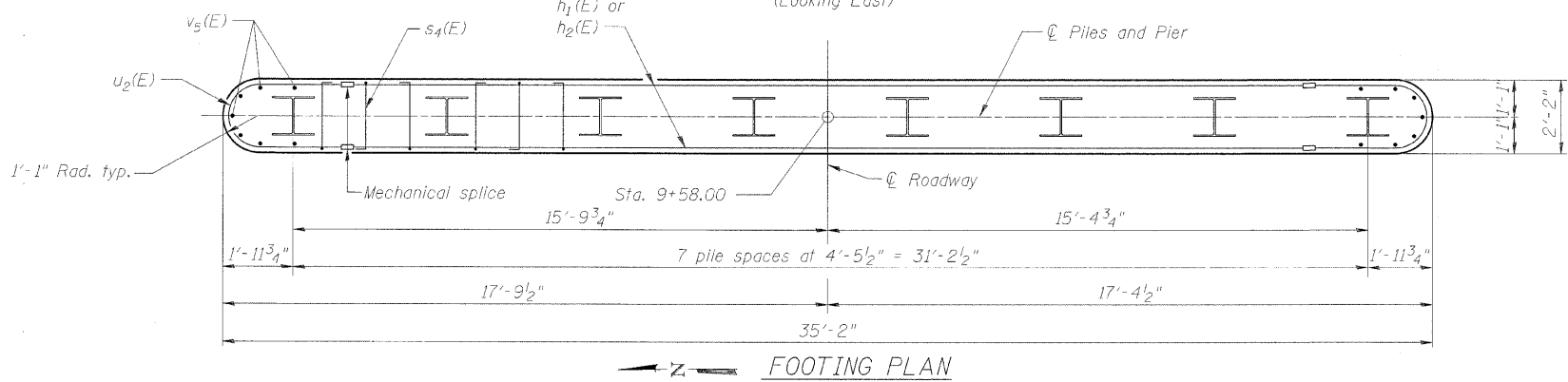
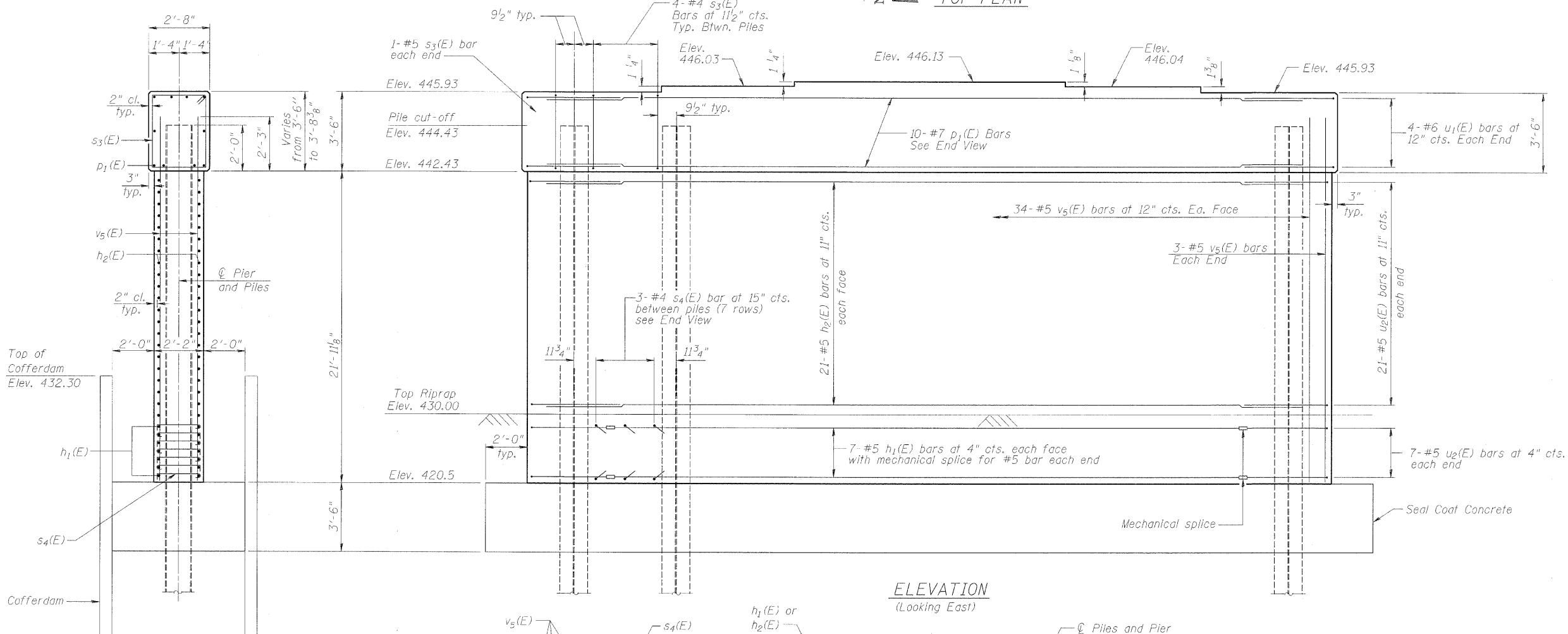
PILE DATA

Type: Steel HP 14x89
 Nominal Required Bearing: 705 kips
 Factored Resistance Available: 337 kips
 Est. Length: 57'-0"
 No. Production Piles: 7
 No. Test Piles: 1



BILL OF MATERIAL

Bar	No.	Size	Length	Shape
h ₁ (E)	14	#5	28'-0"	—
h ₂ (E)	42	#5	33'-0"	—
p ₁ (E)	10	#7	33'-0"	—
s ₃ (E)	30	#4	11'-9"	□
s ₄ (E)	147	#4	3'-1"	⌋
u ₁ (E)	8	#6	9'-8"	U
u ₂ (E)	56	#5	7'-11"	U
v ₅ (E)	74	#5	24'-2"	—
Concrete Structures			Cu. Yd.	73.6
Reinforcement Bars			Pound	5510
Epoxy Coated				
Cofferdam Excavation			Cu. Yd.	94
Cofferdam (Pier 3)			Each	1
Seal Coat Concrete			Cu. Yd.	31.3
Test Pile Steel				
HP14x89			Each	1
Furnishing Steel Piles			Foot	399
HP14x89				
Driving Piles			Foot	399
Mechanical Splice			each	28



DESIGNED	ADL
CHECKED	WLW
DRAWN	BGJ
CHECKED	WLW

PIER #3
 FAS RTE 1780 (OLD US 50) OVER
 SUGAR CREEK
 SECTION 27-1BR-1
 CLINTON COUNTY
 STATION 9+14.50
 STRUCTURE NUMBER 014-0077

Klingner & Assoc., P.C.