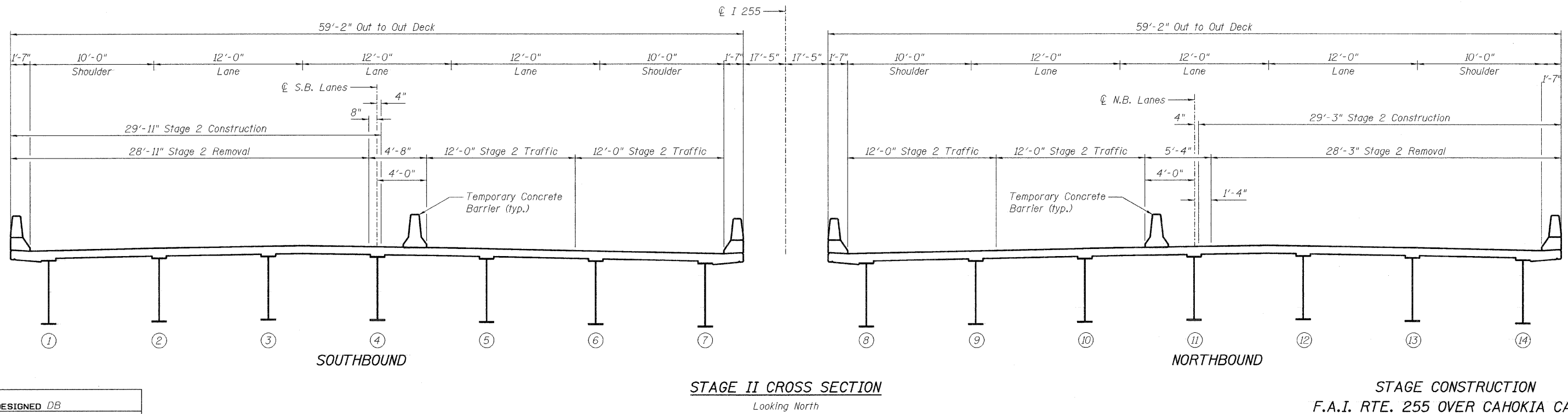
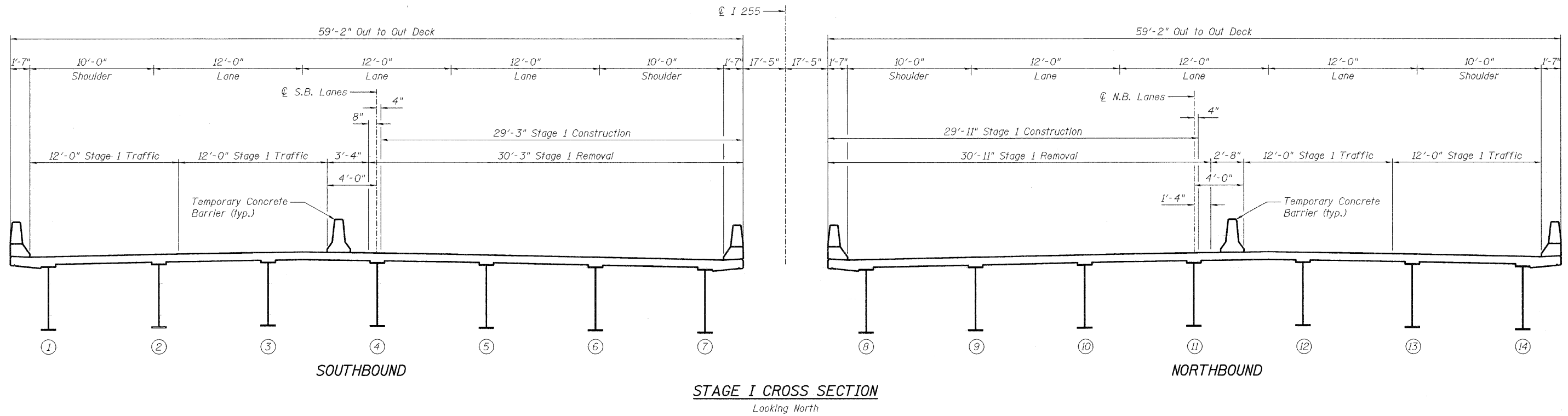


STATE OF ILLINOIS  
DEPARTMENT OF TRANSPORTATION

ROUTE NO.	SECTION	COUNTY	TOTAL SHEETS	SHEET NO.	SHEET NO. 3 14 SHEETS
S.B.I. F.A.I. 255	60-8B-II	Madison	25	42	
FED. ROAD DIST. NO. 7	ILLINOIS	FED. AID PROJECT			

Contract # 76A25



DESIGNED	DB
CHECKED	RS
DRAWN	CLS
CHECKED	WWH

**STAGE CONSTRUCTION**  
F.A.I. RTE. 255 OVER CAHOKIA CANAL  
SECTION 60-8B-II  
STATION 1479+10.00  
MADISON COUNTY  
S.N. 060-0218 & 0219