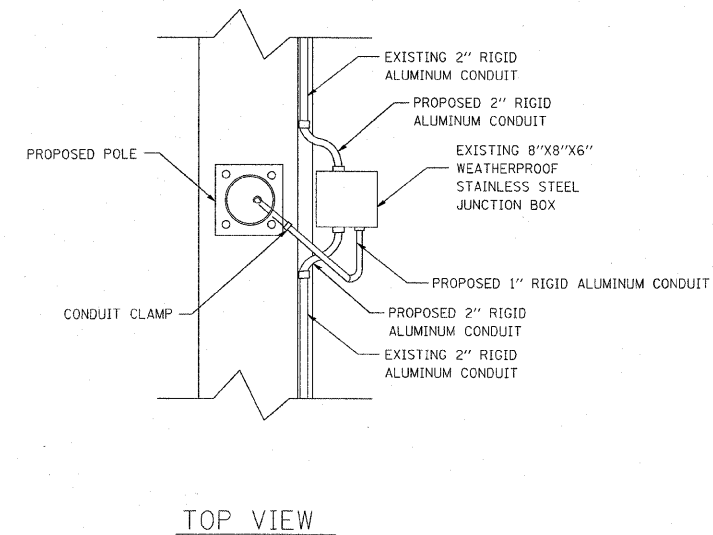
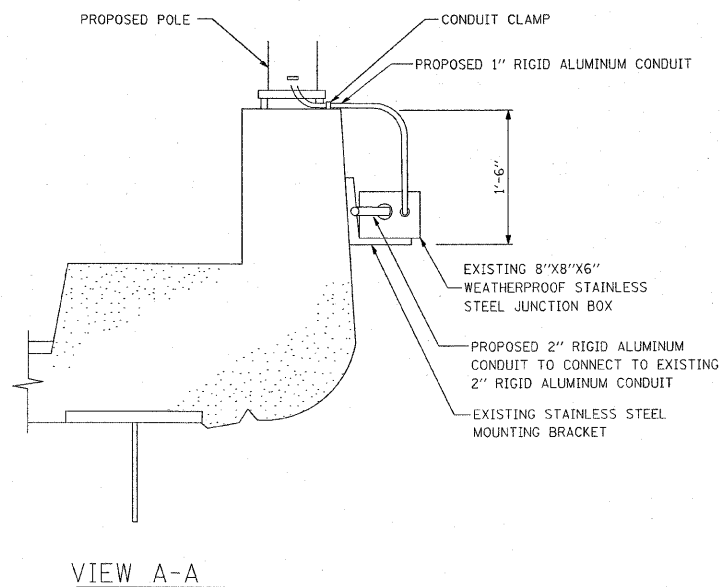
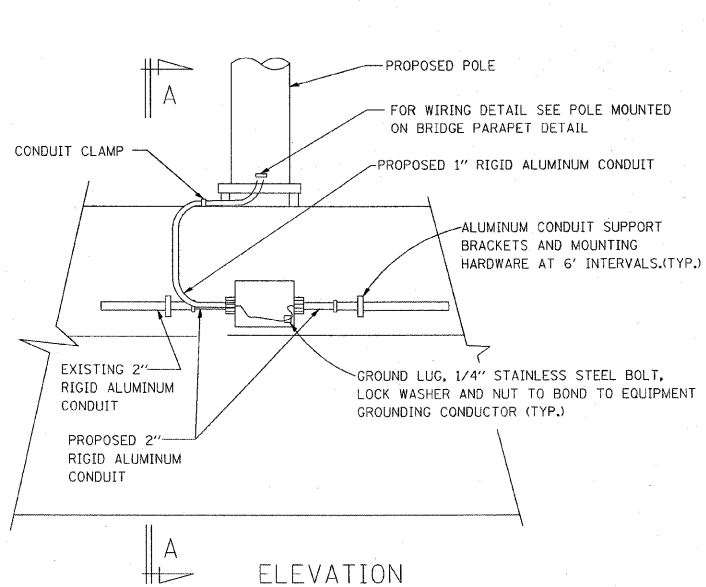


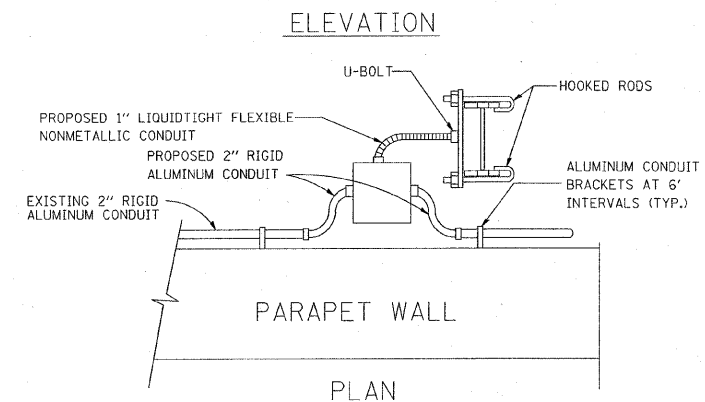
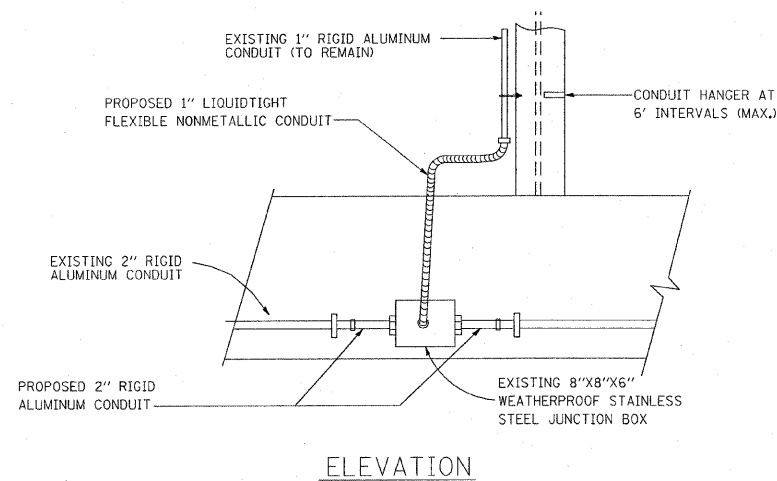
F.A.I. RTE.	SECTION	COUNTY	TOTAL SHEETS	SHEET NO.
270	60-(1,2) L-1	MADISON	31	12
STA.		TO STA.		
FED. ROAD DIST. NO.		ILLINOIS FED. AID PROJECT		



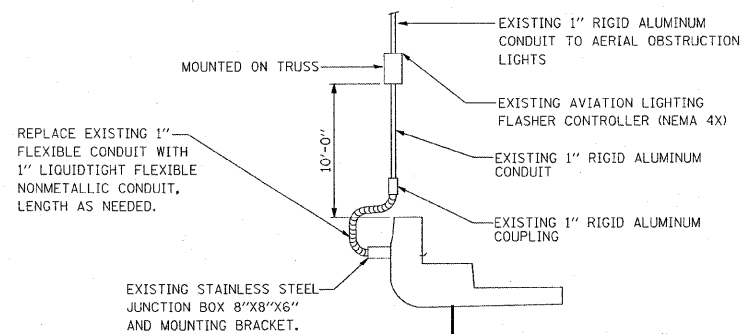
PARAPET WALL MOUNTED CONDUIT DETAILS

NOTES:

1. REMOVE FLEXIBLE CONDUITS AT JUNCTION BOXES.
2. REMOVE STAINLESS STEEL JUNCTION BOXES FOR CONCRETE REPAIRS AT LIGHT POLE FOUNDATIONS.
3. REINSTALL STAINLESS STEEL JUNCTION BOXES AFTER CONCRETE REPAIRS ARE COMPLETE.
4. REUSE THE EXISTING 2" RIGID ALUMINUM CONDUIT ATTACHED TO THE PARAPET WALL.
5. REPLACE FLEXIBLE CONDUITS WITH 2" RIGID ALUMINUM CONDUIT (AS NOTED ABOVE) USING SHORT RADIUS 90'S.
6. REPLACE 1" FLEXIBLE CONDUIT TO LIGHT POLE WITH 1" RIGID ALUMINUM CONDUIT UNDER POLE LEVELING PLATE AND TURNED UP TO POLE HANDHOLE.
7. WHERE NOTES INDICATES 2" RIGID ALUMINUM CONDUIT, 1" RIGID ALUMINUM CONDUIT IS USED IN CERTAIN LOCATIONS, (SEE PLANS).
8. PARAPET WALL MOUNTED CONDUIT DETAILS ARE TYPICAL FOR PROPOSED INSTALLATION ON THE RIVER BRIDGE EXCEPT ALL CONDUITS AND JUNCTION BOXES ARE PROPOSED.
9. DETAILS FOR NAVIGATION LIGHTS ON THE CANAL BRIDGE ARE SIMILAR TO THE TRUSS MOUNTED ROADWAY LIGHT DETAILS EXCEPT THE FLEXIBLE CONDUIT FEEDS DOWN TO THE NAVIGATION LIGHTS.



TRUSS MOUNTED ROADWAY LIGHT DETAILS ON CANAL BRIDGE



CONDUIT TO AVIATION LIGHTS ON CANAL BRIDGE

REVISIONS	
NAME	DATE

ILLINOIS DEPARTMENT OF TRANSPORTATION
CONDUITS AT LIGHT POLE DETAILS
CANAL BRIDGE
 FAI ROUTE 270
 SECTION 60-(1,2)L-1
 MADISON COUNTY

SCALE: VERT. HORIZ.
 DATE DRAWN BY CHECKED BY

DATE
 FILE NAME
 PLOT SCALE
 USER NAME