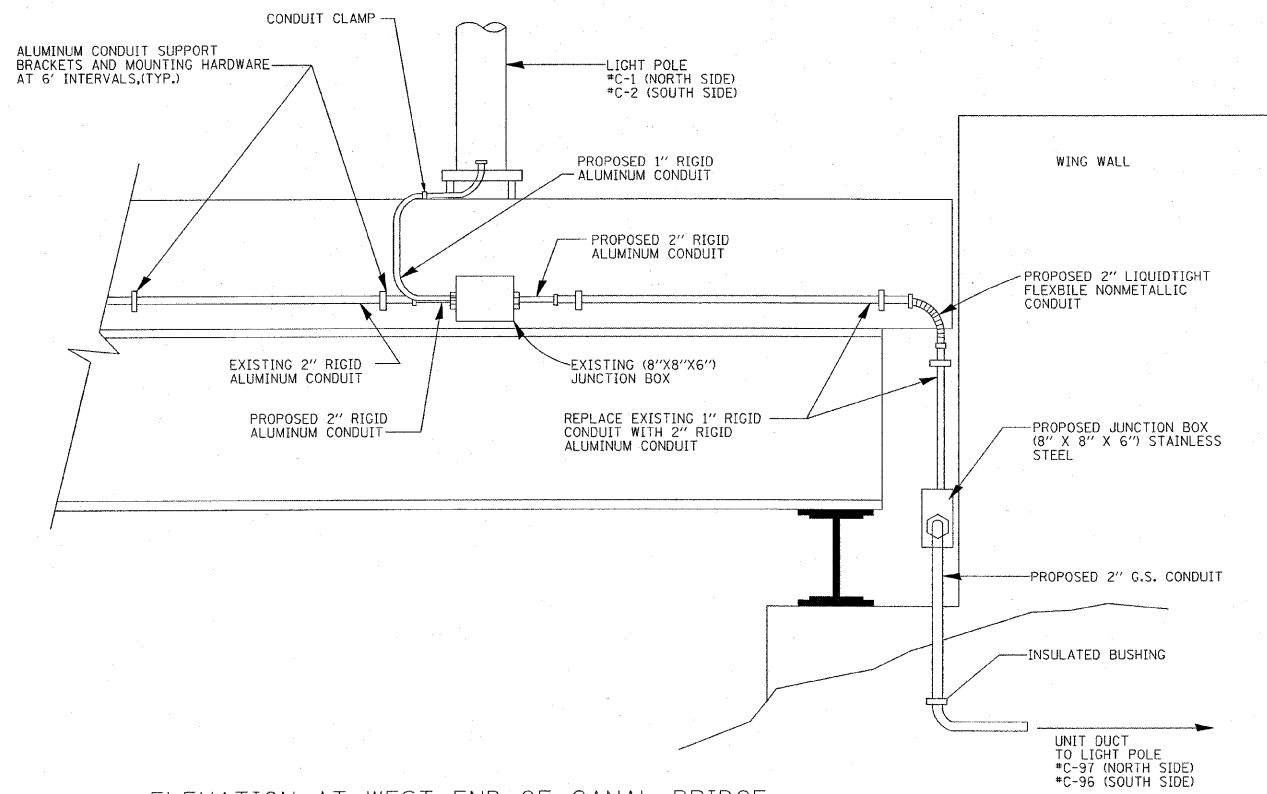
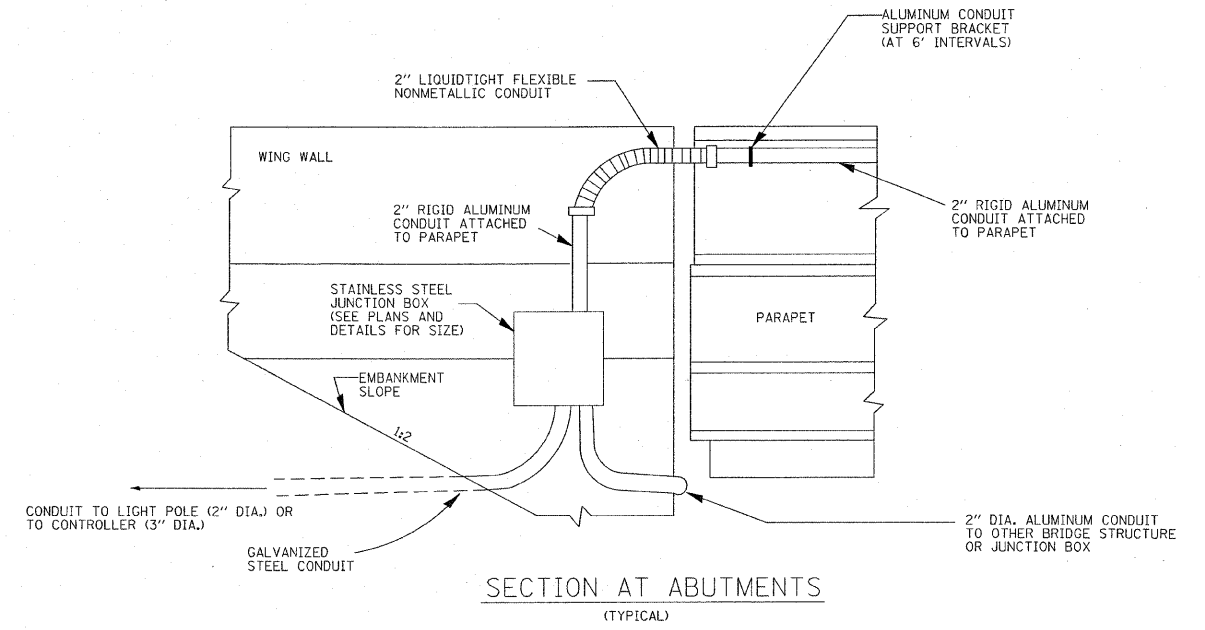


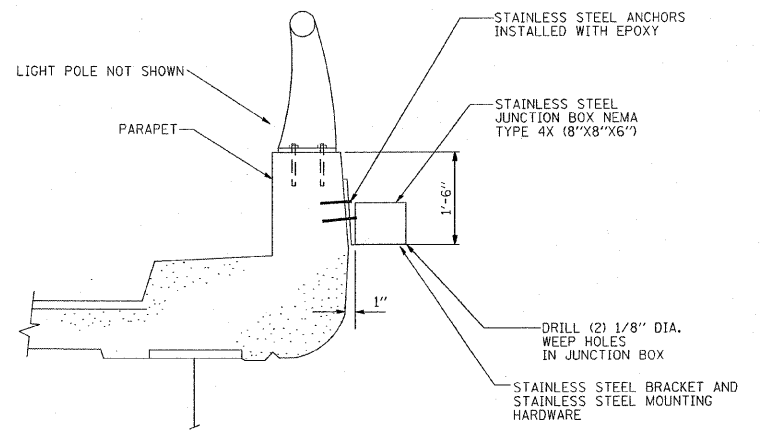
F.A.I. RTE.	SECTION	COUNTY	TOTAL SHEETS	SHEET NO.
270	60-(1,2) L-1	MADISON	31	14
STA.		TO STA.		
FED. ROAD DIST. NO.		ILLINOIS	FED. AID PROJECT	



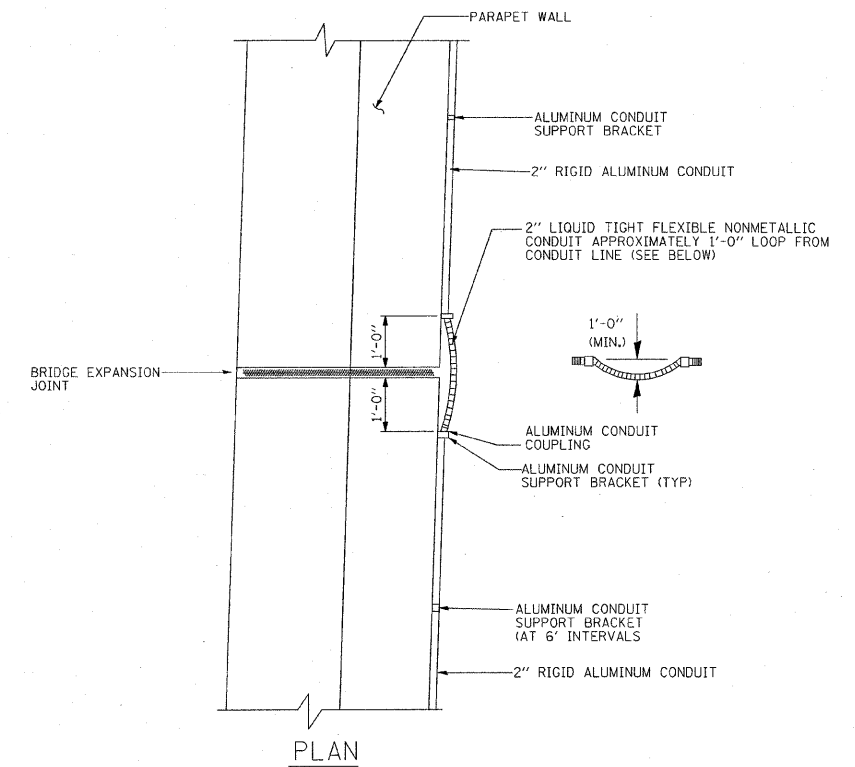
ELEVATION AT WEST END OF CANAL BRIDGE



SECTION AT ABUTMENTS (TYPICAL)



SECTION THRU PARAPET WALL AT POLE FOUNDATION (TYPICAL)



CONDUIT EXPANSION JOINT DETAILS (TYPICAL)

PLOT DATE = DATE
 FILE NAME = FILEL
 SCALE = FILEL
 USER NAME = USERV

REVISIONS	
NAME	DATE

ILLINOIS DEPARTMENT OF TRANSPORTATION
 CONDUIT ON BRIDGES DETAILS

FAI ROUTE 270
 SECTION 60-(1,2)L-1
 MADISON COUNTY

SCALE: VERT.
 HORIZ.
 DATE

DRAWN BY
 CHECKED BY