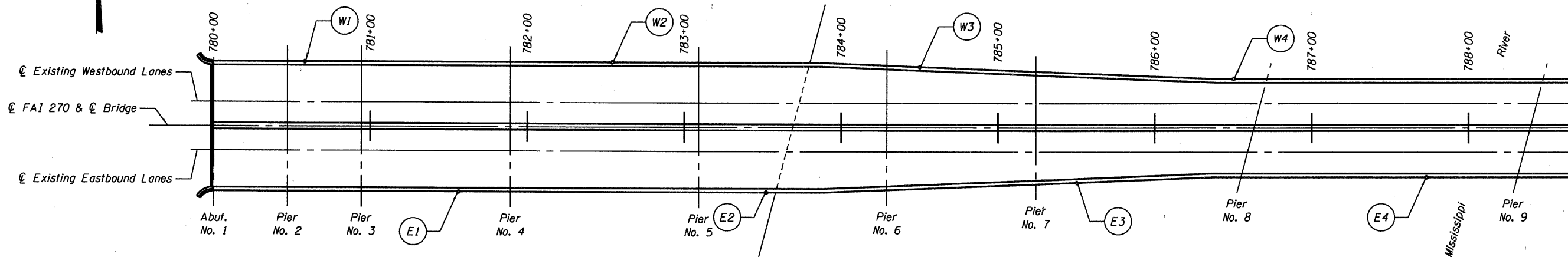


STATE OF ILLINOIS
DEPARTMENT OF TRANSPORTATION

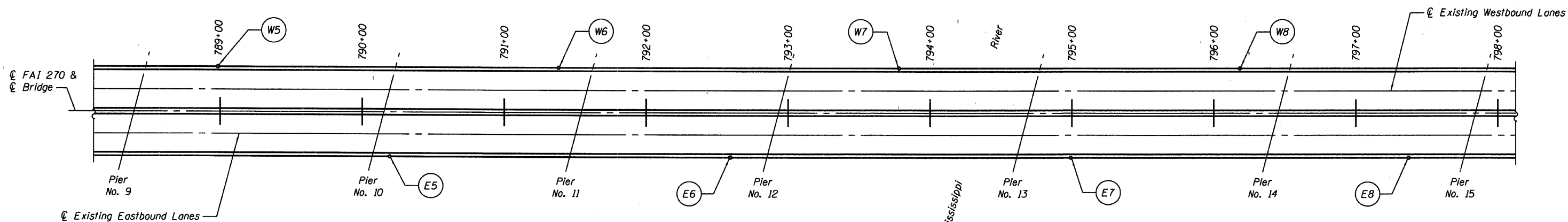
ROUTE NO.	SECTION	COUNTY	SHEET	SHEET	SHEET NO.
F.A.I. 270	60B-1-3	MADISON	31	23	6 SHEETS
FED. ROAD DIST. NO. 7	ILLINOIS	FED. AID PROJECT			

Contract #



PARTIAL PLAN - ABUTMENT NO. 1 TO PIER NO. 9

Light Standard Support Modification
Item No. For description of modification see Table "A".



PARTIAL PLAN - PIER NO. 9 TO PIER NO. 15

Light Standard Support Modification
Item No. For description of modification see Table "A".

Note:
For details associated with work to be done,
see Sheet 5 of 6 and Sheet 6 of 6.

TABLE "A"

ITEM	ROADWAY	PARAPET	STATION	MODIFICATION DESCRIPTION
W1	W.B.	North	780+60	Type A Conc. Removal and Replacement at Light Std.
W2	W.B.	North	782+56	Type A Conc. Removal and Replacement at Light Std.
W3	W.B.	North	784+52	Type A Conc. Removal and Replacement at Light Std.
W4	W.B.	North	786+52	Type B Conc. Removal and Replacement at Light Std.
W5	W.B.	North	789+00	Type A Conc. Removal and Replacement at Light Std.
W6	W.B.	North	791+40	Type A Conc. Removal and Replacement at Light Std.
W7	W.B.	North	793+80	Type A Conc. Removal and Replacement at Light Std.
W8	W.B.	North	796+20	Type A Conc. Removal and Replacement at Light Std.
E1	E.B.	South	781+58	Type B Conc. Removal and Replacement at Light Std.
E2	E.B.	South	783+54	Type A Conc. Removal and Replacement at Light Std.
E3	E.B.	South	785+52	Type A Conc. Removal and Replacement at Light Std.
E4	E.B.	South	787+75	Type A Conc. Removal and Replacement at Light Std.
E5	E.B.	South	790+21	Type B Conc. Removal and Replacement at Light Std.
E6	E.B.	South	792+61	Type B Conc. Removal and Replacement at Light Std.
E7	E.B.	South	795+01	Type A Conc. Removal and Replacement at Light Std.
E8	E.B.	South	797+39	Type C Conc. Removal and Replacement at Light Std.

DESIGNED	MEL
CHECKED	DWP
DRAWN	PRC
CHECKED	MEL

EXAMINED	200
PASSED	ENGINEER OF BRIDGE DESIGN
	ENGINEER OF BRIDGES AND STRUCTURES



**LIGHT STANDARD
SUPPORT LOCATIONS - 1
I-270 OVER MISSISSIPPI RIVER
AT CHAIN OF ROCKS
F.A.I. ROUTE 270 - SECTION 60B-1-3
MADISON COUNTY
STATION 780+00.25
STRUCTURE NO. 060-0035**