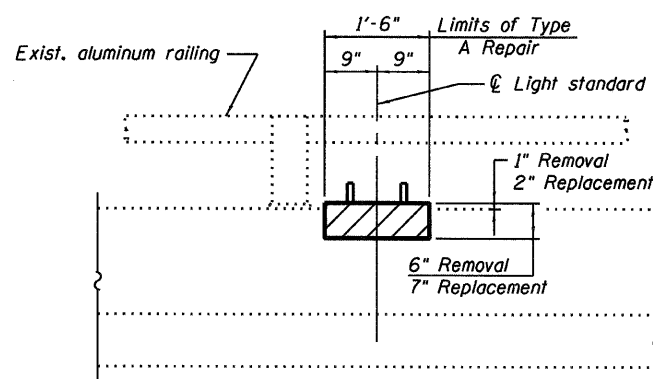


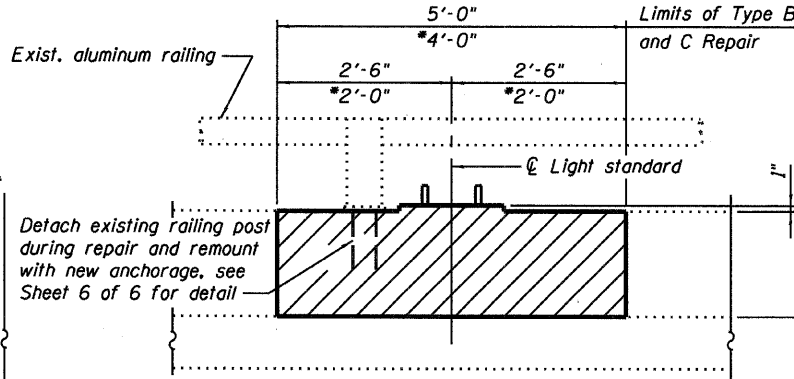
STATE OF ILLINOIS
DEPARTMENT OF TRANSPORTATION

ROUTE NO.	SECTION	COUNTY	TOTAL SHEETS	SHEET NO.
F.A.I. 270	60B-1-3	MADISON	31	26
SHEET NO. 5				
6 SHEETS				

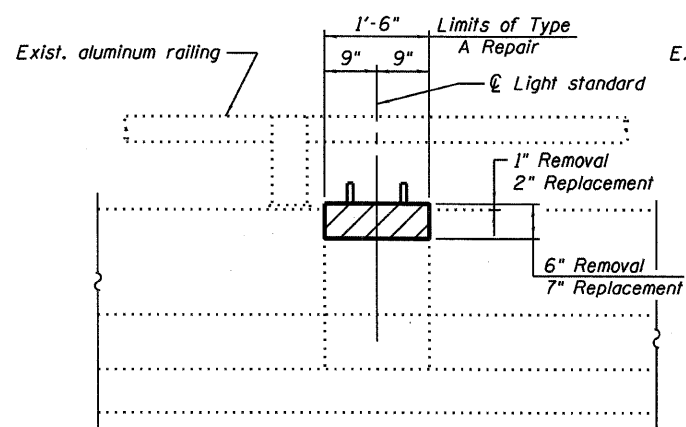
Contract #



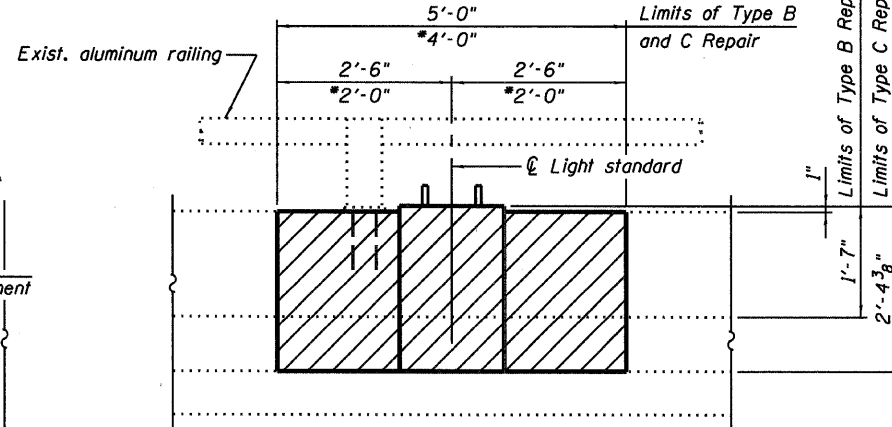
INSIDE FACE OF PARAPET



INSIDE FACE OF PARAPET



OUTSIDE FACE OF PARAPET



OUTSIDE FACE OF PARAPET

TYPE A CONCRETE REMOVAL AND REPLACEMENT AT LIGHT STANDARD

TYPE B OR C CONCRETE REMOVAL AND REPLACEMENT AT LIGHT STANDARD

* Westbound Structure, Light Standard No. 4 (Sta. 786+52):
Dimension revised defining limits of Type B Repair to avoid conflict with junction box.

Notes:

For proposed light standard mounting details, see Sheet 6 of 6.

Cutting and rethreading of existing anchor bolts shall be included with CONCRETE SUPERSTRUCTURE.

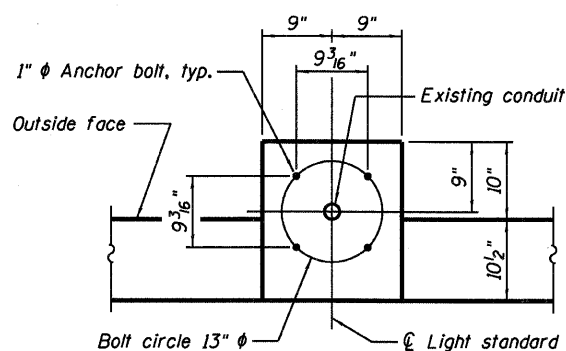
For anchor bolt AB-1 and AB-2 details, see Sheet 6 of 6.

Deteriorated conduit shall be called to the attention of the Engineer. Deteriorated conduit shall be repaired/replaced by the Contractor on a force account basis, Standard Specification 109.04(b).

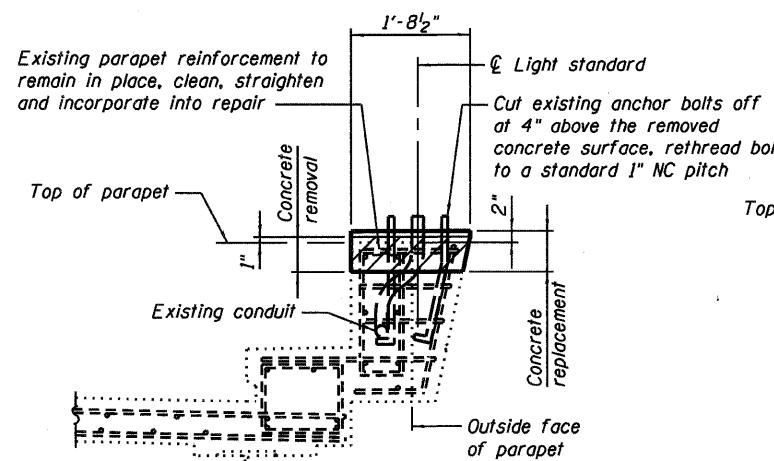
Conduit damaged as a result of construction operations shall be repaired or replaced, at the Contractor's expense, to the satisfaction of the Engineer.

Epoxy grouting for reinforcement bars shall be included with REINFORCEMENT BARS, EPOXY COATED.

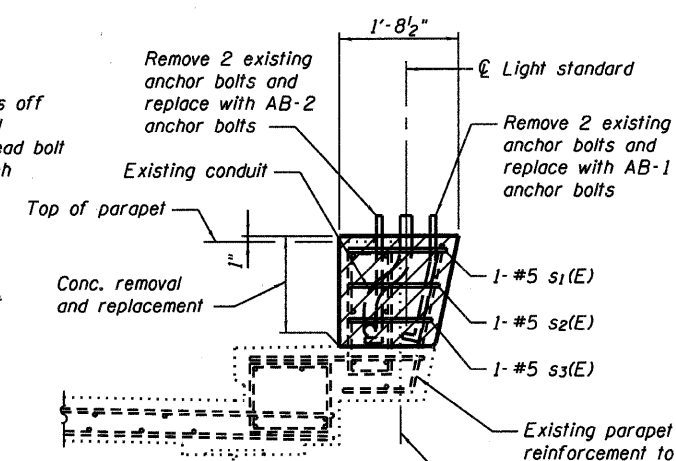
See Section 584 of the Standard Specifications for Epoxy Grouting of Anchor Rods and Bars.



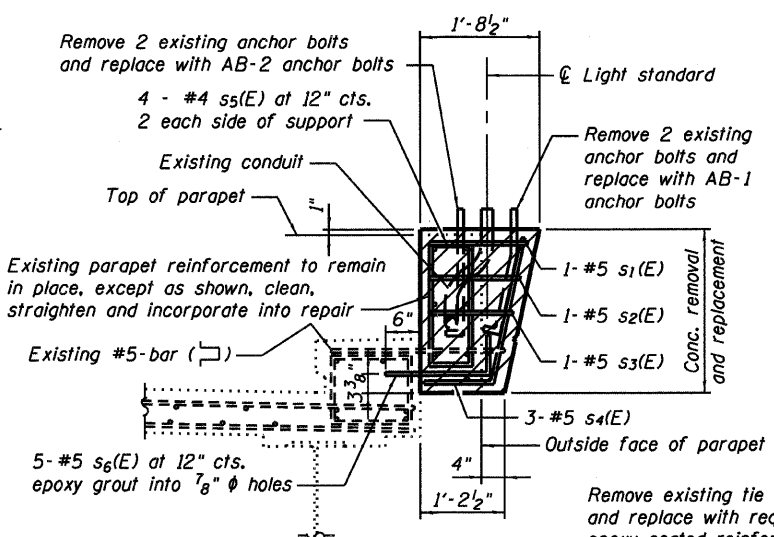
ANCHOR BOLT LAYOUT
Top of parapet view



SECTION SHOWING TYPE A REMOVAL AND REPLACEMENT



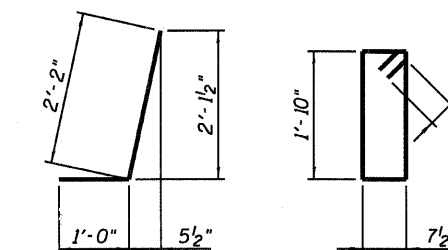
SECTION SHOWING TYPE B REMOVAL AND REPLACEMENT



SECTION SHOWING TYPE C REMOVAL AND REPLACEMENT

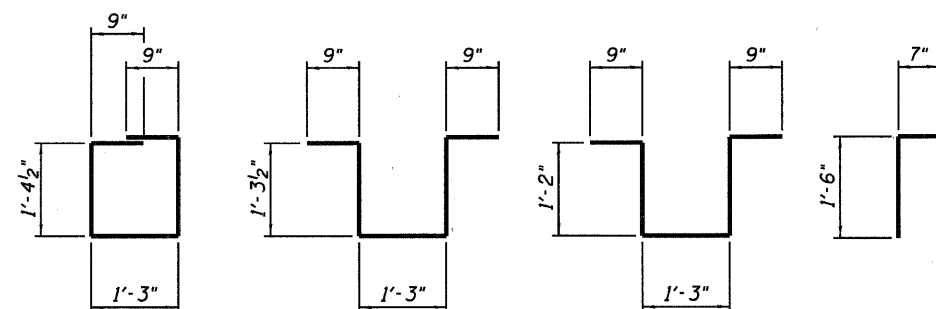
BILL OF MATERIAL

Bar	No.	Size	Length	Shape
s ₁ (E)	14	#5	5'-6"	□
s ₂ (E)	14	#5	5'-4"	┌
s ₃ (E)	14	#5	5'-1"	┌
s ₄ (E)	24	#5	3'-2"	J
s ₅ (E)	32	#4	5'-8"	□
s ₆ (E)	40	#5	5'-6"	┌
Reinforcement Bars, Epoxy Coated			Pound	519
Concrete Superstructure			Cu. Yds.	7.1
Concrete Removal			Cu. Yds.	7.1



BAR s₄(E)

BAR s₅(E)



BAR s₁(E)

BAR s₂(E)

BAR s₃(E)

BAR s₆(E)

**LIGHT STANDARD
SUPPORT DETAILS - 1
I-270 OVER MISSISSIPPI RIVER
AT CHAIN OF ROCKS
F.A.I. ROUTE 270 - SECTION 60B-1-3
MADISON COUNTY
STATION 780+00.25
STRUCTURE NO. 060-0035**

DESIGNED	MEL	200
CHECKED	DWP	EXAMINED
DRAWN	PRC	PASSED
CHECKED	MEL	ENGINEER OF BRIDGE DESIGN
		ENGINEER OF BRIDGES AND STRUCTURES

