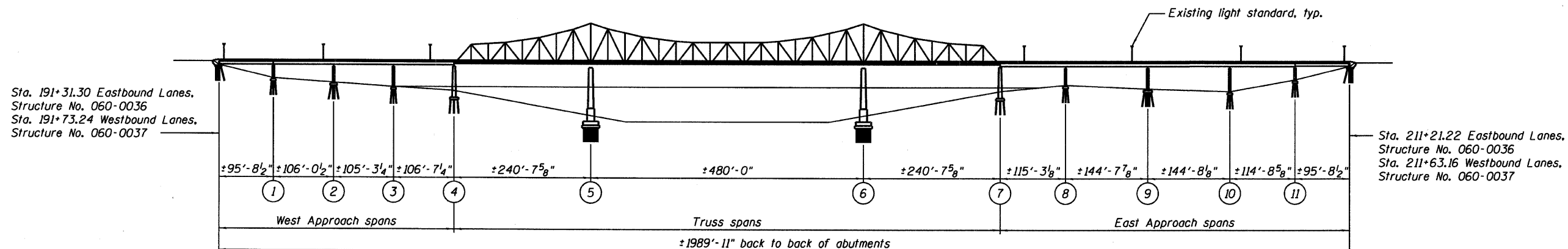


STATE OF ILLINOIS
DEPARTMENT OF TRANSPORTATION

ROUTE NO.	SECTION	COUNTY	SHEET	SHEET NO.
F.A.I. 270	60 IB-1-3	MADISON	31 28	4 SHEETS
FED. ROAD DIST. NO. 7	ILLINOIS	FED. AID PROJECT		

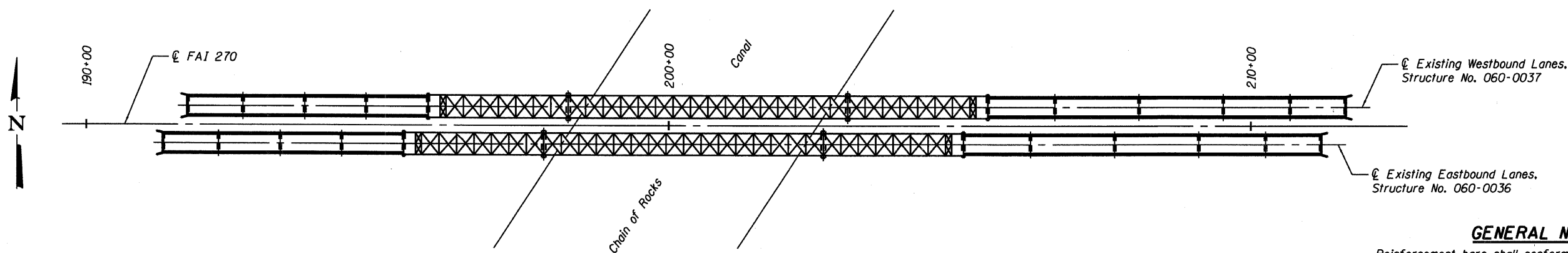
Contract #



ELEVATION

INDEX OF SHEETS

- 1 General Plan and Elevation
- 2 Light Standard Support Locations
- 3 Light Standard Support Details - 1
- 4 Light Standard Support Details - 2



PLAN

Proposed Improvements: Existing light standard concrete supports are to be repaired at each location. All structural work shall be coordinated with the work in the electrical plans.

GENERAL NOTES

Reinforcement bars shall conform to the requirements of ASTM A 706 Gr 60 (IL Modified). See Special Provisions

Reinforcement bars designated (E) shall be epoxy coated.

Plan dimensions and details are subject to routine variations. The Contractor shall field verify existing dimensions and details affecting new construction and make necessary approved adjustments prior to construction or ordering of materials. Such variations shall not be cause for additional compensation for a change in scope of the work, however, the Contractor will be paid for the quantity actually furnished based upon the unit price bid for the work.

All structural work shall be coordinated with the work shown in the electrical plans.

Bridge lighting shall remain operational during construction.

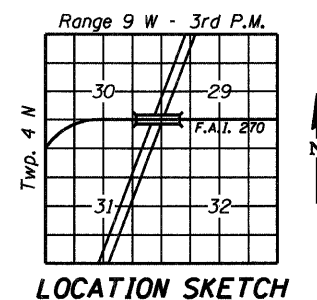
Replacement of anchors at existing railing post shall be included with CONCRETE SUPERSTRUCTURE.

Furnish and install coupling nuts and bolt extensions, together with cutting and rethreading of existing anchor bolts, shall be included with CONCRETE SUPERSTRUCTURE.

Epoxy grouting for reinforcement bars shall be included with REINFORCEMENT BARS, EPOXY COATED.

TOTAL BILL OF MATERIAL

ITEM	UNIT	TOTAL
Concrete Removal	Cu. Yd.	2.7
Concrete Superstructure	Cu. Yd.	2.7
Reinforcement Bars, Epoxy Coated	Pound	96
Anchor Bolt 1" φ	Each	8



David W. Petermeier
DAVID W. PETERMEIER
EDWARDSVILLE, ILLINOIS
ILLINOIS LICENSED STRUCTURAL
ENGINEER NO. 081-005642
EXPIRES NOV. 30, 2008

DESIGNED	MEL
CHECKED	DWP
DRAWN	PRC
CHECKED	MEL

200
EXAMINED
ENGINEER OF BRIDGE DESIGN
PASSED
ENGINEER OF BRIDGES AND STRUCTURES



GENERAL PLAN AND ELEVATION
I-270 EBL AND WBL OVER THE
CHAIN OF ROCKS CANAL
F.A.I. ROUTE 270 - SECTION 60-IB-1-3
MADISON COUNTY
STATION 200+46.53
STRUCTURE NO. 060-0036 AND 060-0037