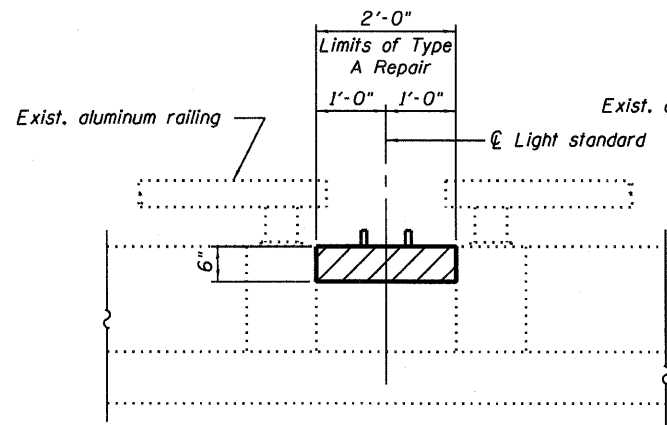


STATE OF ILLINOIS
DEPARTMENT OF TRANSPORTATION

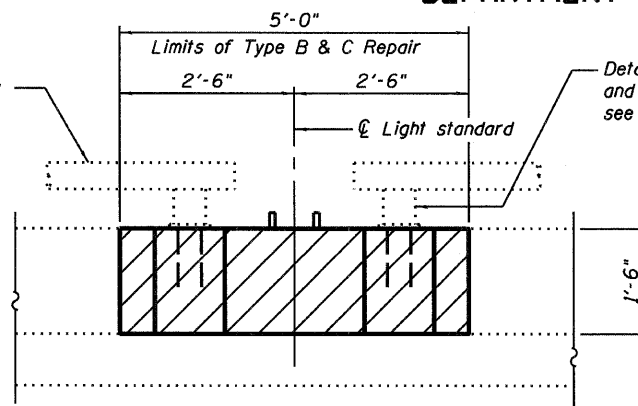
ROUTE NO.	SECTION	COUNTY	TOTAL SHEETS	SHEET NO.
F.A.I. 270	60	MADISON	31	30
FED. ROAD DIST. NO. 7	ILLINOIS	FED. AID PROJECT		

SHEET NO. 3
4 SHEETS

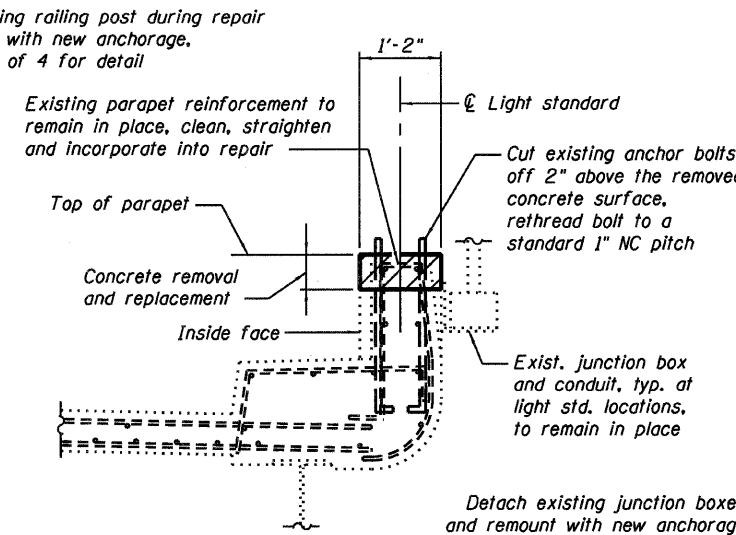
Contract #



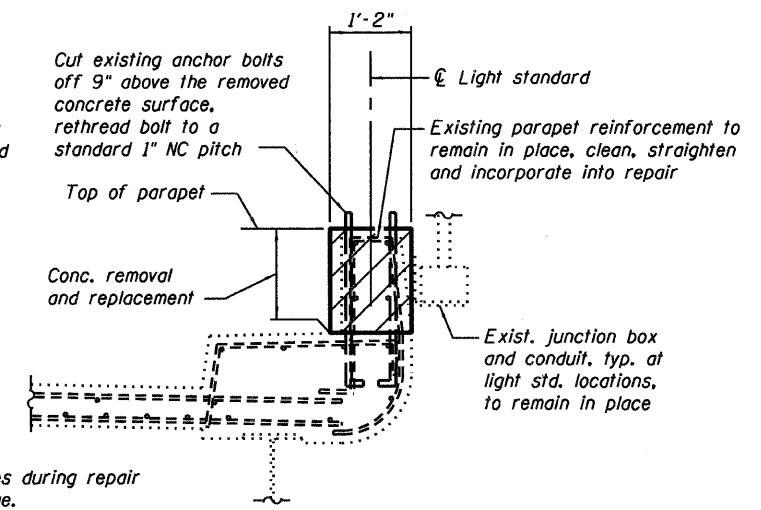
INSIDE FACE OF PARAPET



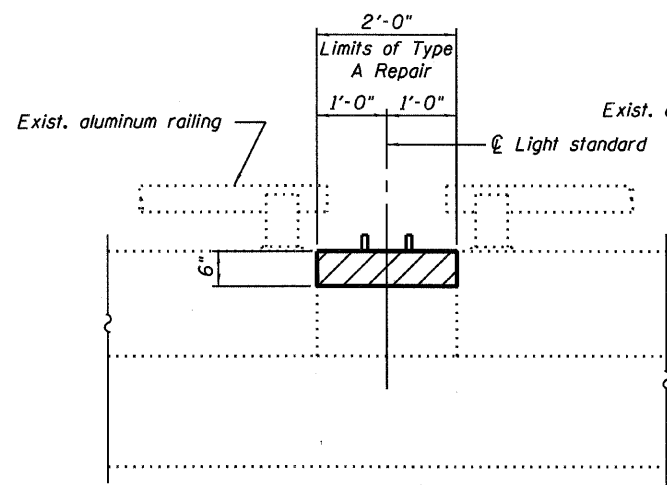
INSIDE FACE OF PARAPET



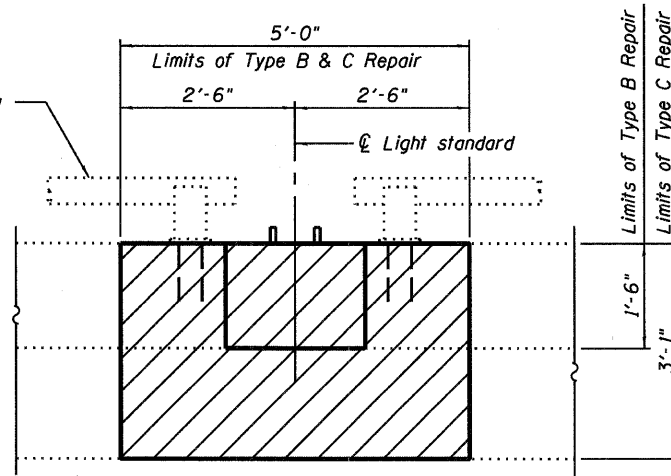
**SECTION SHOWING TYPE A
REMOVAL AND REPLACEMENT**



**SECTION SHOWING TYPE B
REMOVAL AND REPLACEMENT**



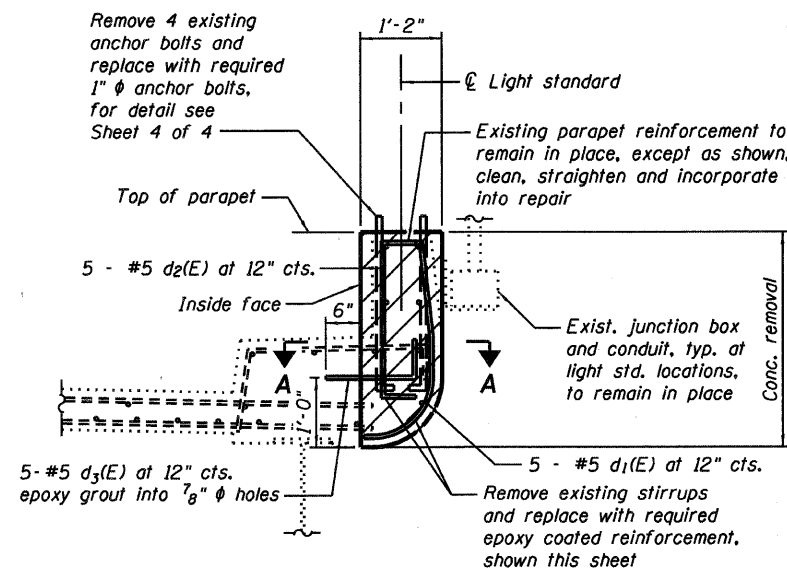
OUTSIDE FACE OF PARAPET



OUTSIDE FACE OF PARAPET

**TYPE A CONCRETE REMOVAL
AND REPLACEMENT AT LIGHT STANDARD**

**TYPE B OR C CONCRETE REMOVAL
AND REPLACEMENT AT LIGHT STANDARD**

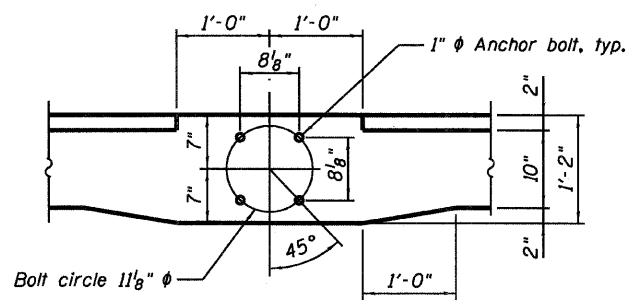


**SECTION SHOWING TYPE C
REMOVAL AND REPLACEMENT**

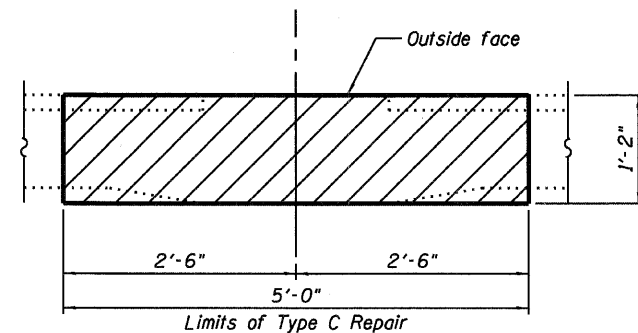
BILL OF MATERIAL

Bar	No.	Size	Length	Shape
d ₁ (E)	10	#5	3'-8"	U
d ₂ (E)	10	#5	3'-5"	U
d ₃ (E)	10	#5	2'-1"	U
Reinforcement Bars, Epoxy Coated			Pound	96
Concrete Superstructure			Cu. Yds.	2.7
Concrete Removal			Cu. Yds.	2.7

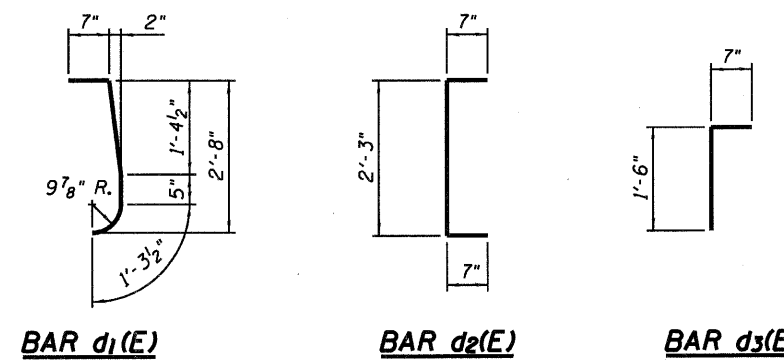
Notes:
For proposed light standard mounting details, see Sheet 4 of 4.
Cutting and rethreading of existing anchor bolts shall be included with CONCRETE SUPERSTRUCTURE. Deteriorated conduits and junction boxes shall be called to the attention of the Engineer. Deteriorated conduit shall be repaired/replaced by the Contractor on a force account basis, Standard Specification 109.04(b).
Conduit and junction boxes damaged as a result of construction operations shall be repaired or replaced, at the Contractor's expense, to the satisfaction of the Engineer.
Epoxy grouting for reinforcement bars shall be included with REINFORCEMENT BARS, EPOXY COATED. See Section 584 of the Standard Specifications for Epoxy Grouting of Anchor Rods and Bars.



ANCHOR BOLT LAYOUT
Top of parapet view



SECTION A-A



BAR d₁(E) BAR d₂(E) BAR d₃(E)

DESIGNED	MEL	200
CHECKED	DWP	EXAMINED
DRAWN	PRC	PASSED
CHECKED	MEL	ENGINEER OF BRIDGES AND STRUCTURES



**LIGHT STANDARD
SUPPORT DETAILS - 1**
**I-270 EBL AND WBL OVER THE
CHAIN OF ROCKS CANAL**
F.A.I. ROUTE 270 - SECTION 60-1B-1-3
MADISON COUNTY
STATION 200+46.53
STRUCTURE NO. 060-0036 AND 060-0037