

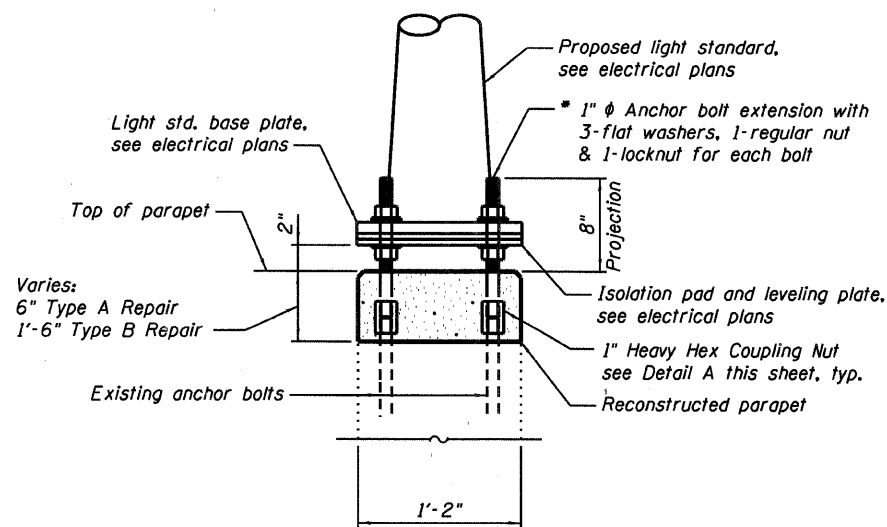
STATE OF ILLINOIS
DEPARTMENT OF TRANSPORTATION

ROUTE NO.	SECTION	COUNTY	SHEET NO.	SHEET NO.
F.A.I. 270	60 1B-1-3	MADISON	31	31
FED. AID DIST. NO. 7	ILLINOIS	FED. AID PROJECT		

SHEET NO. 4
4 SHEETS

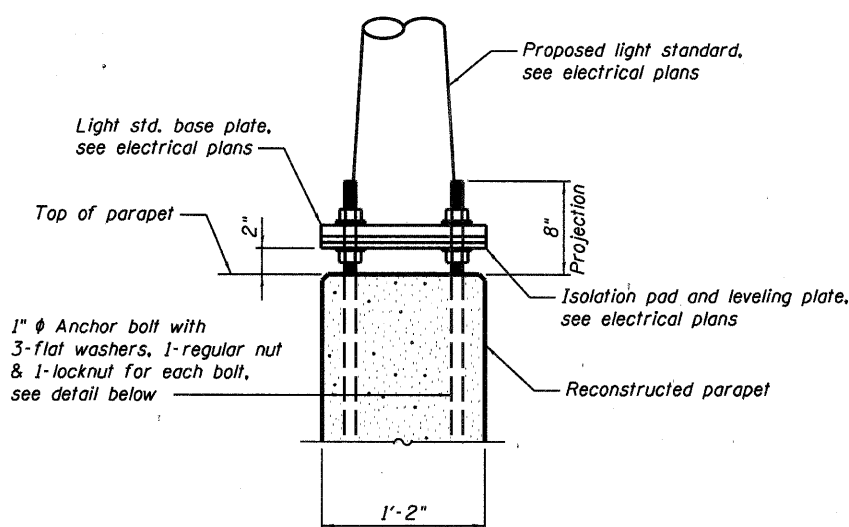
Contract #

Furnish and install coupling nuts and bolt extensions, together with cutting and rethreading of existing anchor bolts, shall be included with CONCRETE SUPERSTRUCTURE.

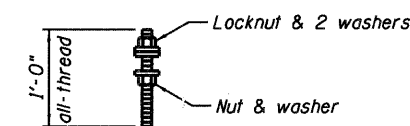


**PROPOSED LIGHT STANDARD MOUNTING
FOR TYPE A AND B REPAIR**

* Anchor bolt extension ABE-1, Type A Repair
Anchor bolt extension ABE-2, Type B Repair

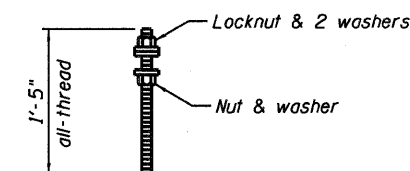


**PROPOSED LIGHT STANDARD MOUNTING
FOR TYPE C REPAIR**



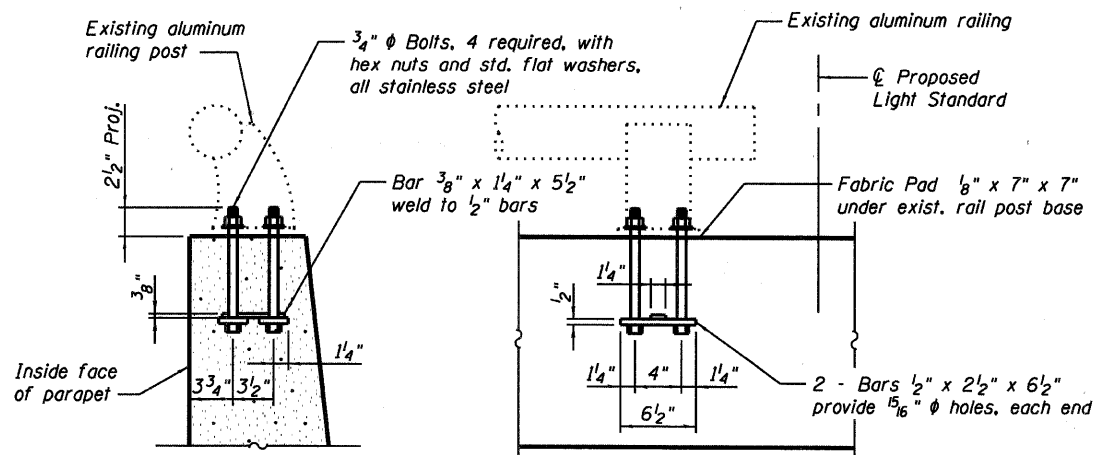
ANCHOR BOLT EXTENSION ABE-1

1" ϕ Anchor bolt extension, ASTM F 1554 Grade 105, hot dip galvanized with the threads chased after galvanizing, standard 1" NC pitch, 32 required



ANCHOR BOLT EXTENSION ABE-2

1" ϕ Anchor bolt extension, ASTM F 1554 Grade 105, hot dip galvanized with the threads chased after galvanizing, standard 1" NC pitch, 16 required

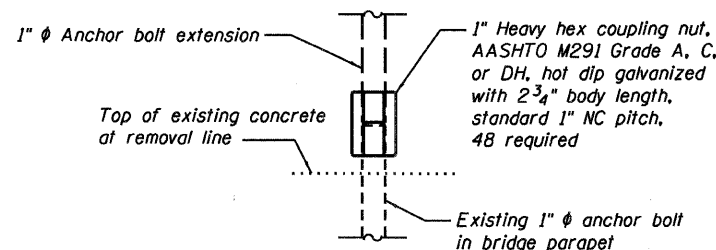


SECTION

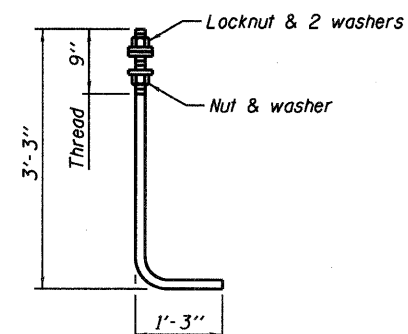
ELEVATION

**ALUMINUM RAILING POST REPAIR
AT TYPE B AND C CONCRETE REPAIRS**

Use existing railing post base as template to locate new anchorage.
Replacement of anchors at existing railing post shall be included with CONCRETE SUPERSTRUCTURE.
New anchorage required at 6 locations, 2 per location, total of 12 required.



DETAIL A



ANCHOR BOLT

1" ϕ ASTM F 1554 Grade 105

BILL OF MATERIAL

Anchor Bolt 1" ϕ	Each	8
-----------------------	------	---

**LIGHT STANDARD
SUPPORT DETAILS - 2
I-270 EBL AND WBL OVER THE
CHAIN OF ROCKS CANAL**

F.A.I. ROUTE 270 - SECTION 60-1B-1-3
MADISON COUNTY
STATION 200+46.53
STRUCTURE NO. 060-0036 AND 060-0037

DESIGNED	MEL
CHECKED	DWP
DRAWN	PRC
CHECKED	MEL

EXAMINED	200
PASSED	ENGINEER OF BRIDGE DESIGN
	ENGINEER OF BRIDGES AND STRUCTURES

