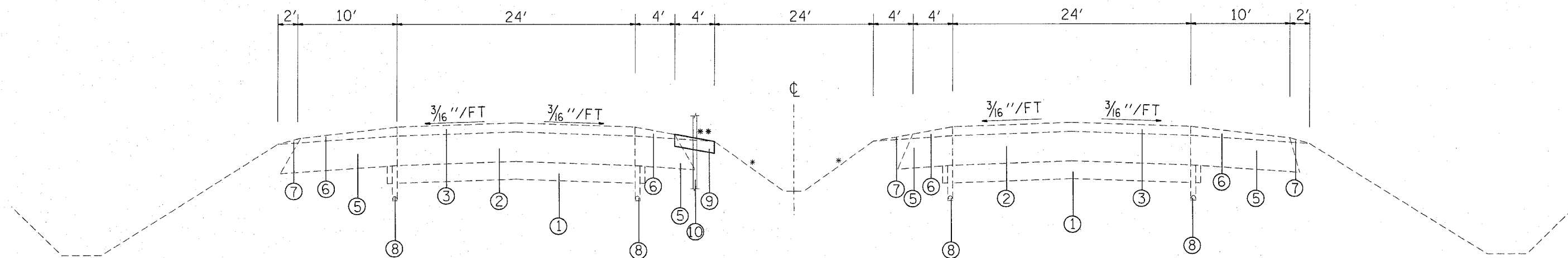


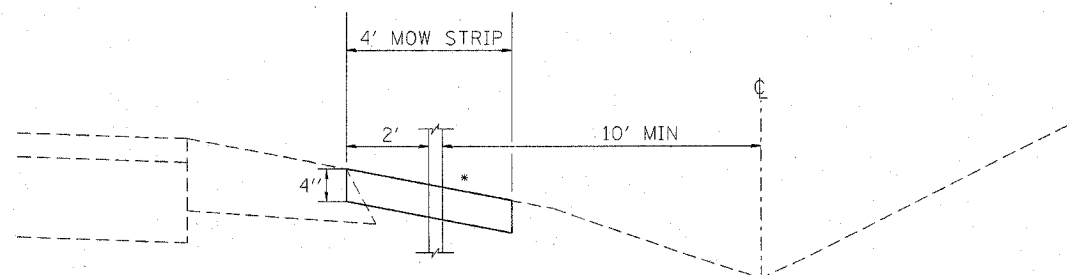
F.A.I. RTE.	SECTION	COUNTY	TOTAL SHEETS	SHEET NO.
270	60-(1,2,3,4,5)I	MADISON	46	5
STA. _____ TO STA. _____		FED. ROAD DIST. NO. _____ ILLINOIS FED. AID PROJECT		



TANGENT SECTION
 STA. 154+64.08 TO STA. 161+16.04
 STA. 181+06.04 TO STA. 191+06.92

- LEGEND**
- ① EXISTING 6" SUB-BASE GRANULAR MATERIAL
 - ② EXISTING PCC PAVEMENT, 10"
 - ③ EXISTING HOT-MIX ASPHALT OVERLAY
 - ④ EXISTING CONCRETE MEDIAN
 - ⑤ EXISTING HOT-MIX ASPHALT SHOULDER
 - ⑥ EXISTING HOT-MIX ASPHALT SHOULDER OVERLAY
 - ⑦ EXISTING AGG. SHOULDER WEDGE
 - ⑧ EXISTING UNDERDRAINS
 - ⑨ PROPOSED HOT MIX-ASPHALT SHOULDER, 4" (MOW STRIP)
 - ⑩ PROPOSED HIGH TENSION CABLE MEDIAN BARRIER

* MEDIAN SLOPES VARY 4:1 AND FLATTER
 ** LOCATION OF HTC AND MOW STRIP VARIES BETWEEN EB AND WB LANES. SEE PLAN SHEETS FOR LOCATIONS.



* MATCH EXISTING SLOPE;
 MUST BE 4:1 OR FLATTER.

REVISIONS		ILLINOIS DEPARTMENT OF TRANSPORTATION TYPICAL SECTIONS AREA #1 FAI RTE 270 SECTION 60-(1,2,3,4,5)I MADISON COUNTY
NAME	DATE	

SCALE: VERT. _____
 HORIZ. _____
 DATE _____ DRAWN BY _____
 CHECKED BY _____