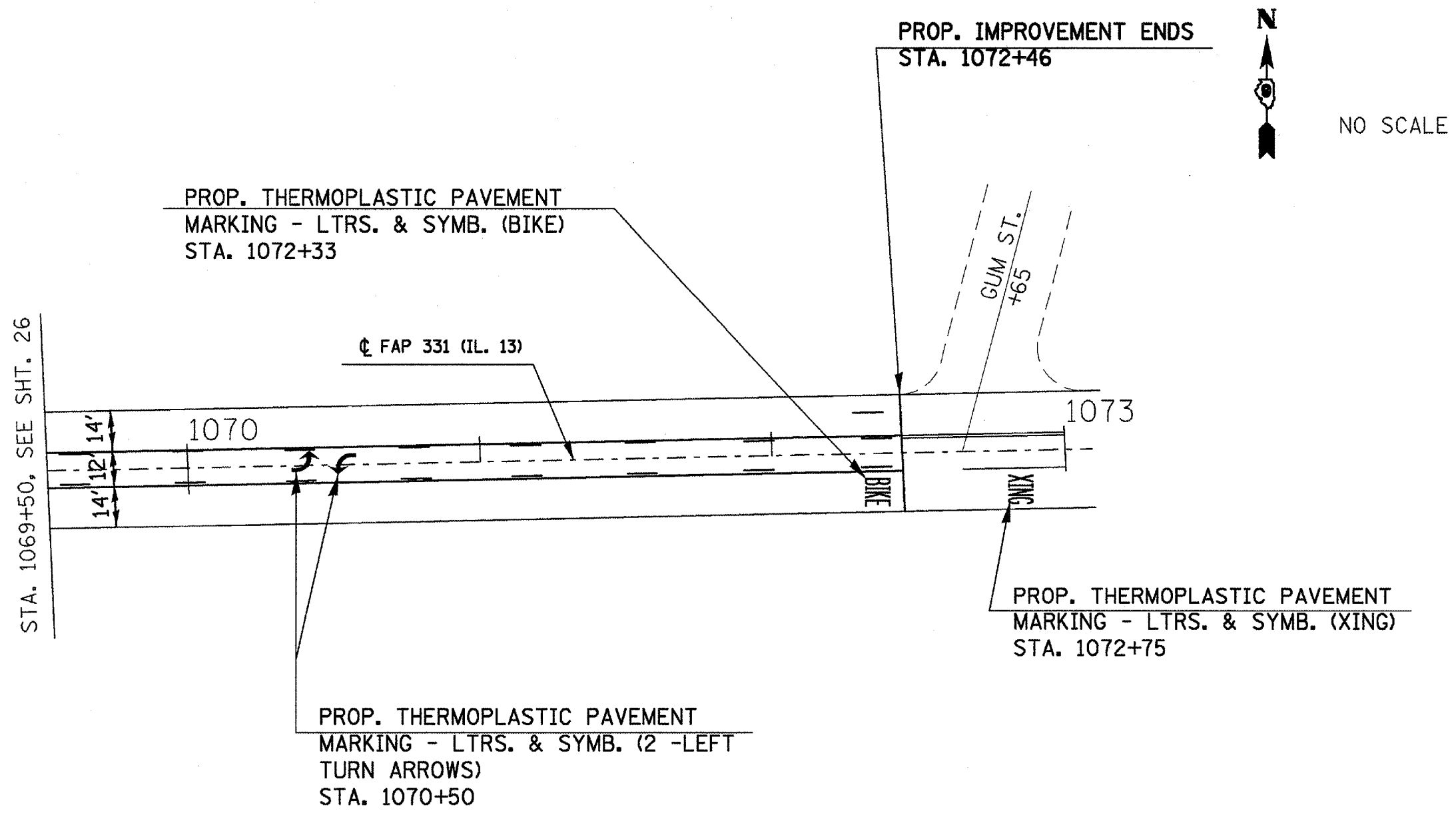


F.A. RTE.	SECTION	COUNTY	TOTAL SHEETS	SHEET NO.
*	**	***	30	27

STA. _____ TO STA. _____

FED. ROAD DIST. NO. _____ ILLINOIS FED. AID PROJECT

- * VARIOUS
- ** D9 CONT. MAINT. BIT. RES. FY 08-1
- *** SALINE & JACKSON



NOTE: FOR PAVEMENT MARKING QUANTITIES, SEE SHEET 13.

PLOT DATE = 12/7/2007
 FILE NAME = c:\pavement\78012\1072+33.dgn
 USER NAME = mroberts