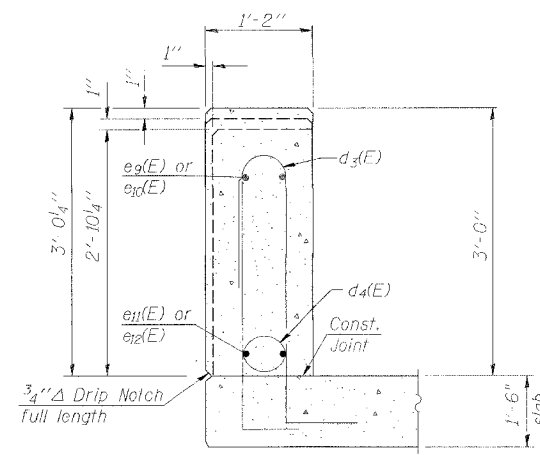
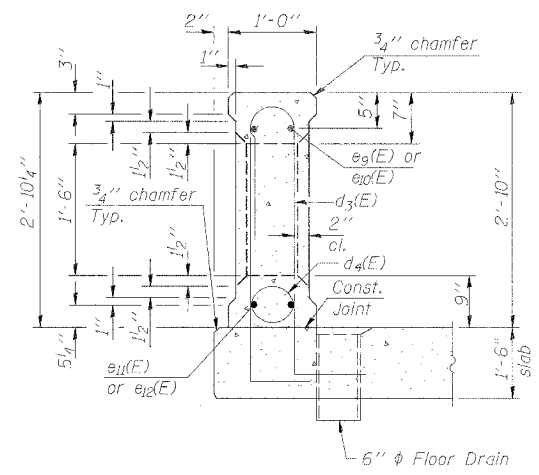


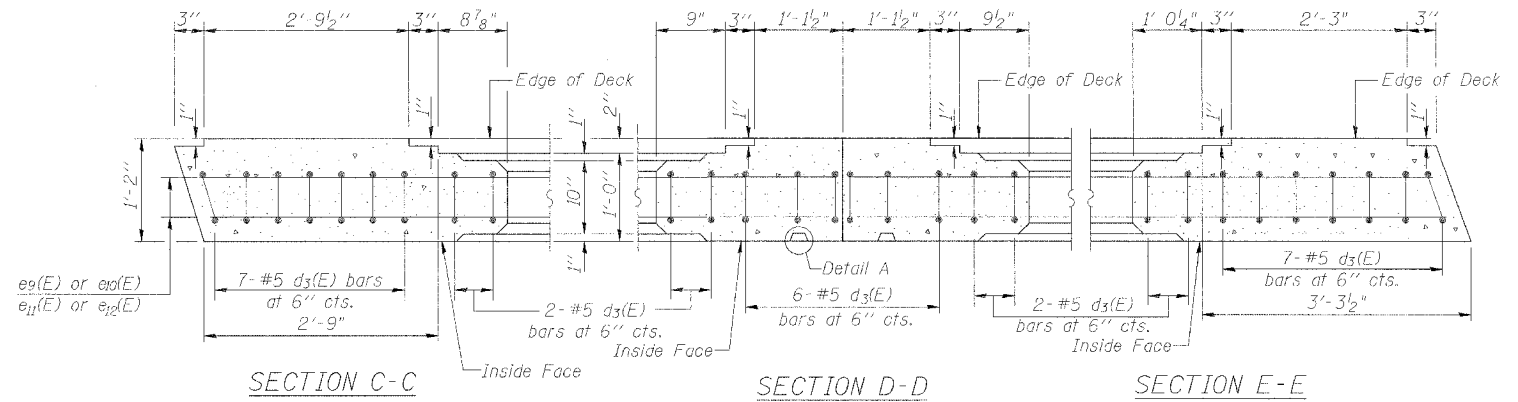
INSIDE ELEVATION OF RAIL
(Looking North at North Rail)



SECTION A-A
THRU POST ON SLAB BRIDGE



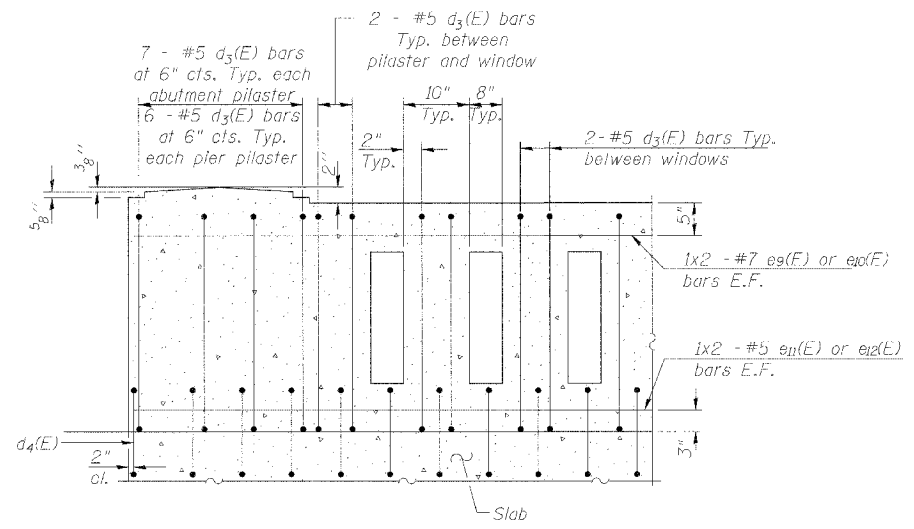
SECTION B-B
THRU WINDOW ON SLAB BRIDGE



SECTION C-C

SECTION D-D

SECTION E-E



TYPICAL REINFORCEMENT PLACEMENT
(Inside Face)

MIN. BAR LAP
#5 bars = 1'-8"
#7 bars = 2'-8"

NOTES:
All concrete for railing wall shall be Class BS according to Article 1020.04 of the Standard Specifications. Surface of railing shall receive a rubbed finish according to Article 503.15(b) of the Standard Specifications.
All parts of the railing including concrete and reinforcing will be paid for at the contract unit price per foot for Concrete Bridge Railing.
Holes and recesses must be formed or cored. Drilling is not permitted.
Reinforcement bars designated (E) shall be epoxy coated.
Bars marked thus 3x2 - #4 etc. indicate 3 lines of bars with 2 lengths per line.
Work this Sheet with Sheet 7 of 19.

Corporate License Number 184-001-084

CONCRETE BRIDGE RAILING
FAIRVIEW DRIVE BRIDGE OVER SOUTH BRANCH OF KISHWAUKEE RIVER
FAU 5345
SECTION 04-00166-00-BR
DEKALB, ILLINOIS
STRUCTURE NUMBER 019-6106
STATION 18+34.34



JOB NO. 06R1555
DATE 11/05/07

12:40:33 PM
 11/05/2007, 16:40 PM
 I:\06\106\06R1555\Cadd\Struct\Sheet\SC06-CBR.dgn
 LAOJL
 DRAWN
 REVIEWED
 MWI 11/28/06
 MWI 10/19/07
 JAR 10/19/07