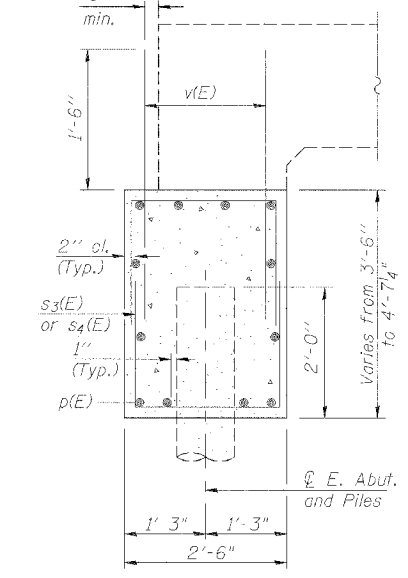
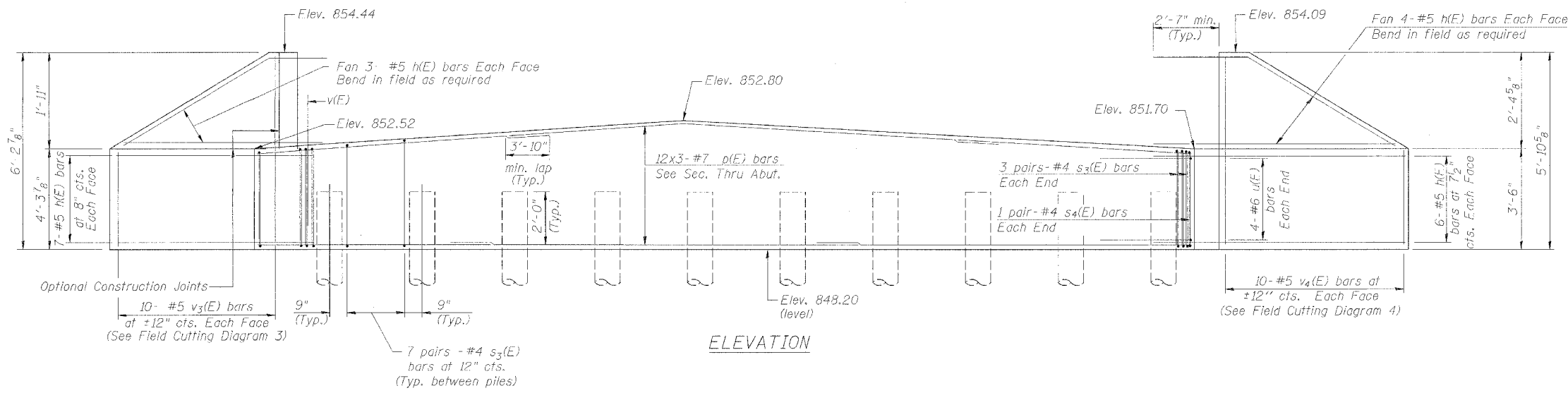


\* 04-00166-00-BR



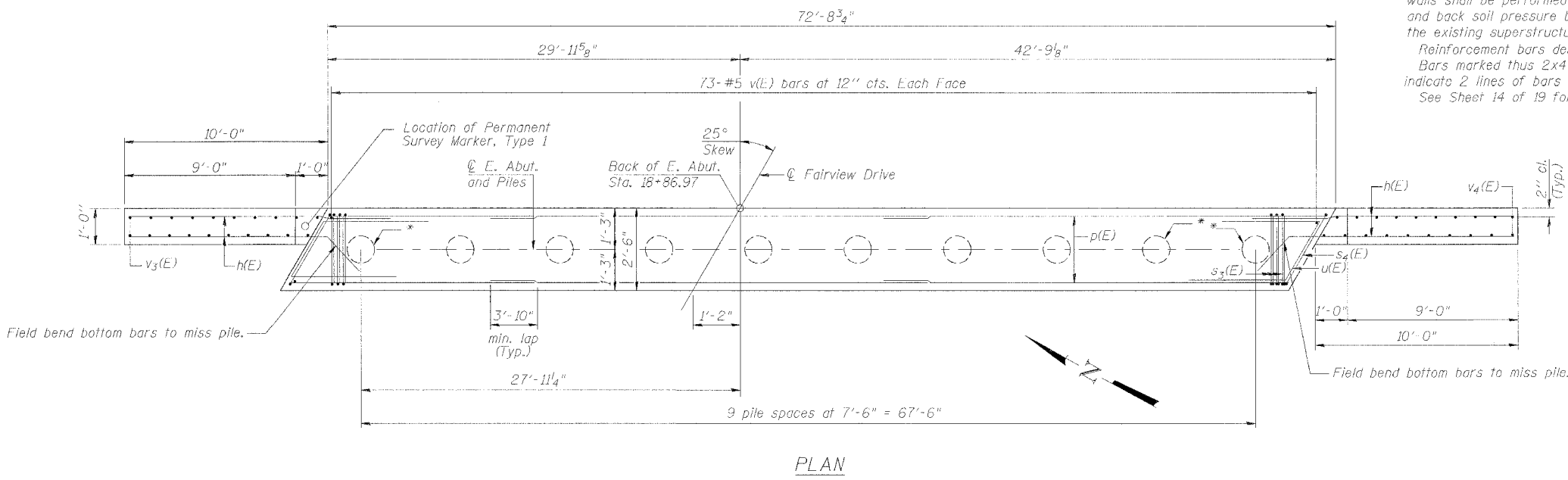
**NOTES:**

Excavation behind existing abutment walls shall be performed to balance front and back soil pressure before removing the existing superstructure.  
Reinforcement bars designated (E) shall be epoxy coated. Bars marked thus 2x4-#5 etc. indicate 2 lines of bars with 4 lengths per line. See Sheet 14 of 19 for Metal Shell Pile details.

SEC. THRU ABUT.  
(Dimensions at Right Angles)

**EAST ABUTMENT  
BILL OF MATERIAL**

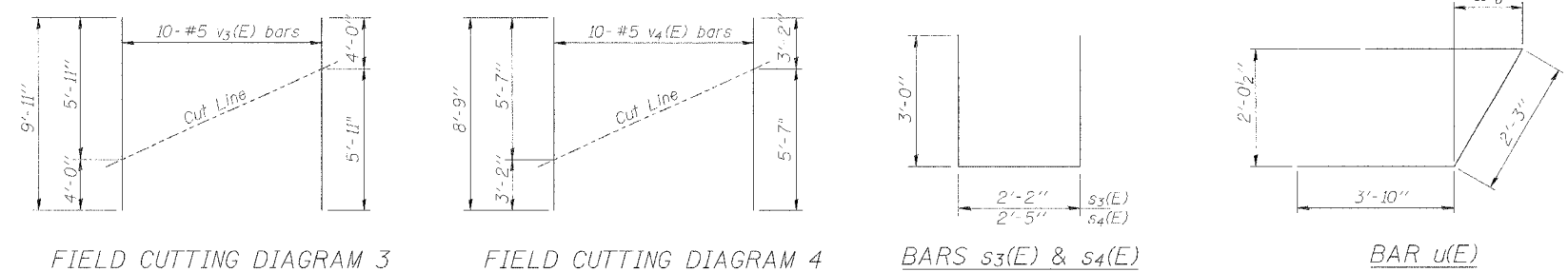
Bar	No.	Size	Length	Shape
h(E)	40	#5	12'-11"	—
p(E)	36	#7	26'-9"	—
s3(E)	138	#4	8'-2"	□
s4(E)	4	#4	8'-5"	□
u(E)	8	#6	9'-11"	▤
v(E)	146	#5	4'-4"	—
v3(E)	10	#5	9'-11"	—
v4(E)	10	#5	8'-9"	—
Structure Excavation		Cu. Yd.	134.3	
Concrete Structures		Cu. Yd.	32.1	
Reinforcement Bars, Epoxy Coated		Pound	4260	
Furnishing Metal Shell Piles 14"		Foot	441	
Driving and Filling Shells		Foot	441	
Test Pile Metal Shells		Each	1	
Porous Granular Embankment (Special)		Cu. Yd.	70.6	
Pipe Underdrains for Structures 4"		Foot	113	



**PILE DATA**

Type: Metal Shell - 14 in. dia. x 0.25" walls  
Nominal Required Bearing: 390K  
Allowable Resistance Available: 130K  
Est. Length: 49 ft  
No. Production Piles: 9  
No. Test Piles: 1

\* Piles shall be driven through 18"  $\phi$  precored holes extending to elevation 844.0 according to Article 512.09(c) of the Standard Specifications. Cost included in Driving and Filling Shells.



FIELD CUTTING DIAGRAM 3: Order v3(E) full length. Cut as shown and use remainder of bars in opposite face.  
FIELD CUTTING DIAGRAM 4: Order v4(E) full length. Cut as shown and use remainder of bars in opposite face.

Corporate License Number 184-001-084

**EAST ABUTMENT**

FAIRVIEW DRIVE BRIDGE OVER SOUTH BRANCH OF KISHWAUKEE RIVER  
FAU 5345  
SECTION 04-00166-00-BR  
DEKALB, ILLINOIS  
STRUCTURE NUMBER 019-6106  
STATION 18+34.34

Copyright Hanson Professional Services Inc. 2007

**HANSON**

JOB NO. 06R1555  
DATE 11/05/07

12/12/07 PM 06:42  
11/05/07 10:44 PM  
11/05/07 10:44 PM  
11/05/07 10:44 PM

LAYOUT  
DRAWN  
REVIEWED

MMH  
MMH  
JRR