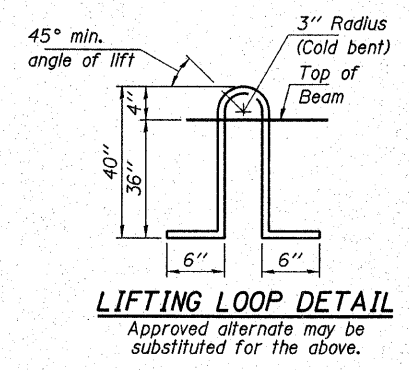
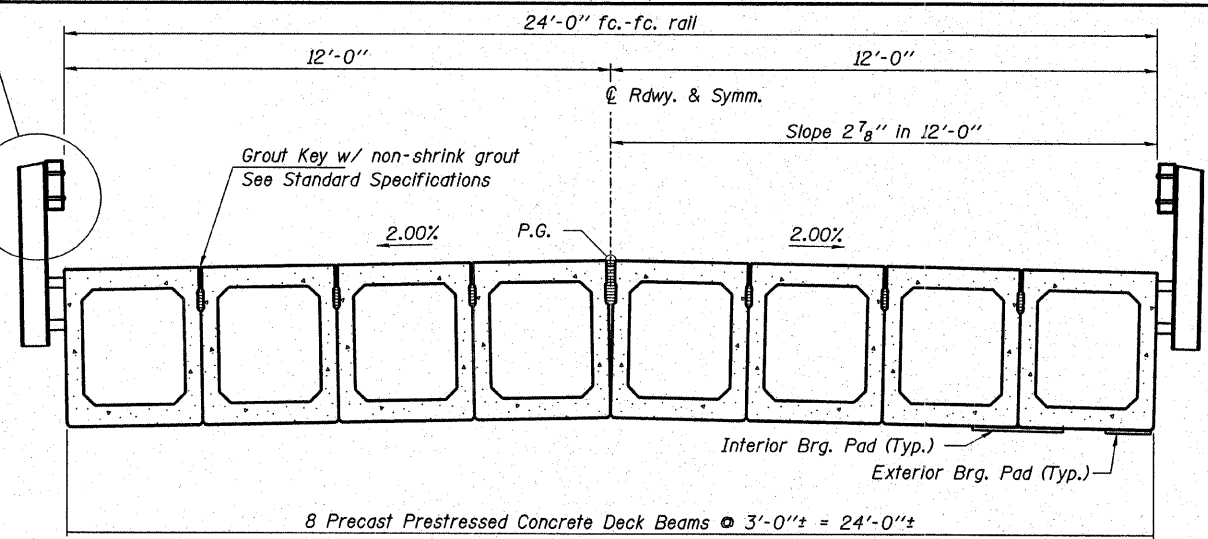


ROUTE NO.	SECTION	COUNTY	TOTAL SHEETS	SHEET NO.
C.H. 8	04-00112-00-BR	RICHLAND	14	5
FED. ROAD DIST. NO.		ILLINOIS CONTRACT NO. 95515	Sheet 2 of 6	

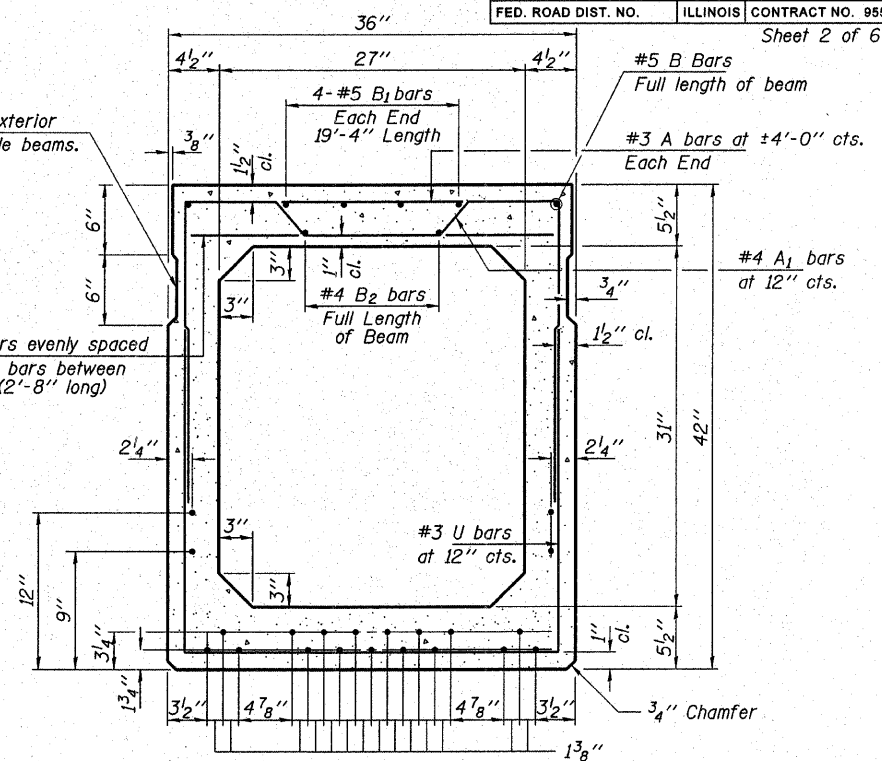
See sheet 3 of 6 for complete rail details.



Note: The loop shall be formed in a manner such that all strands are engaged during lifting. Loops shall be cut off after beams have been erected.

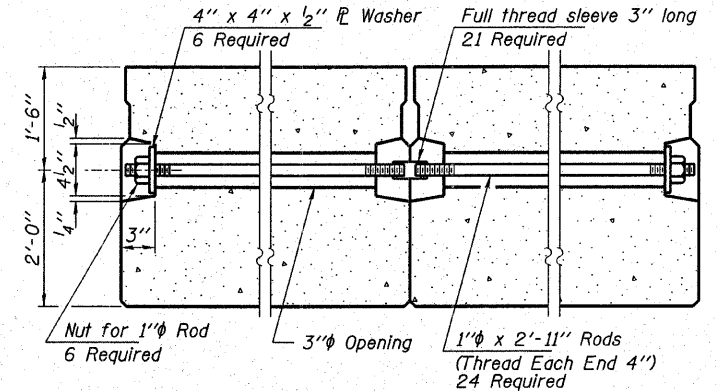
Omit key on exterior face of outside beams.

2-#3 A bars evenly spaced between A₁ bars between end blocks (2'-8" long)



TYPICAL SECTION

21-1/2" Strands Each Strand Stressed to 30,900 Lbs.
9-Strands 1 3/4" up, 8-Strands 3/4" up, 2-Strands 9" up, 2-Strands 12" up

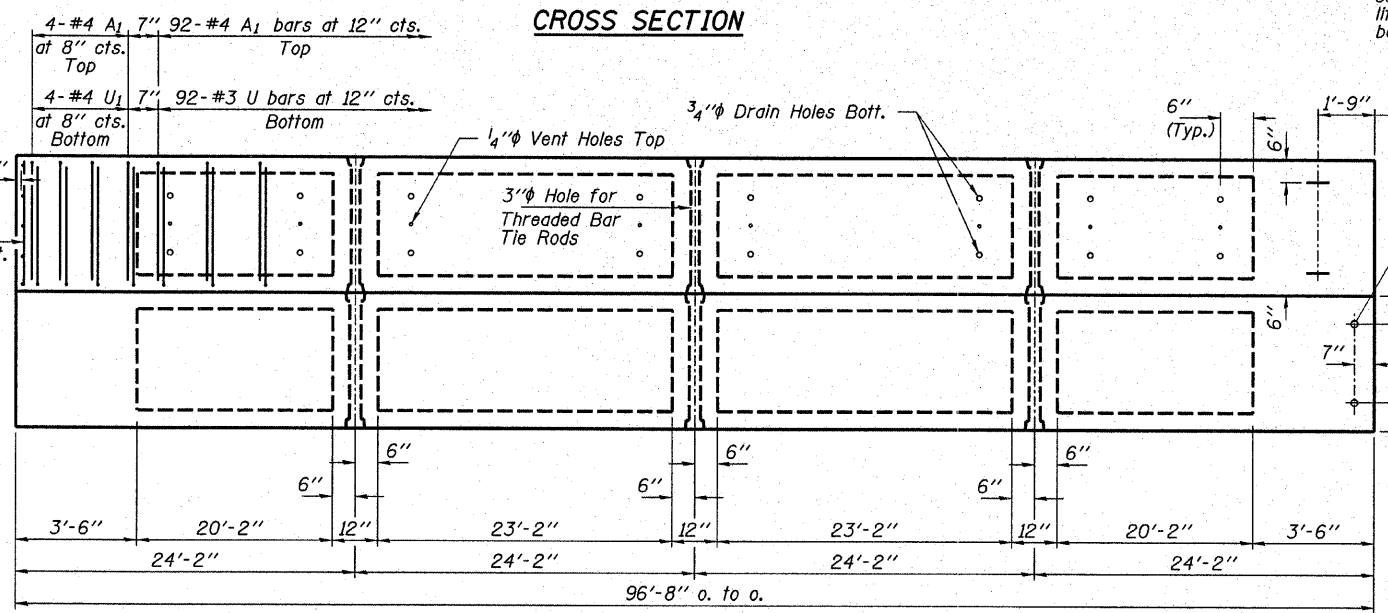


TYPICAL TRANSVERSE TIE ASSEMBLY

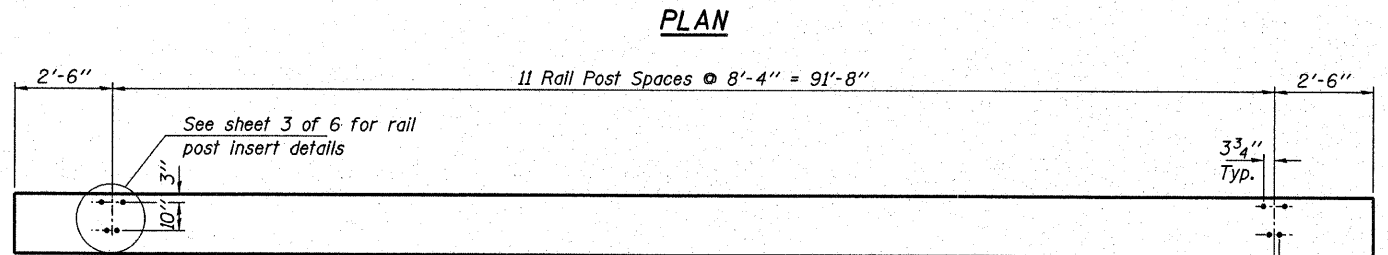
NOTES

Prestressing steel shall be uncoated high strength, low-relaxation 7-wire strand, Grade 270. The nominal diameter shall be 1/2" and the nominal cross-sectional area shall be 0.153 sq. in. Lifting loops shall be 4-1/2" φ-270 ksi strands, as shown. The 1" rods in the transverse tie assembly shall be tightened to a snug fit and the threads set. Pockets that receive transverse tie bar on outside shall be filled with grout after transverse tie assembly is in place. Reinforcement bars shall conform to the requirements of ASTM A706 Grade 60 (IL Modified). See Standard Specifications. The bearing seat surfaces shall be adjusted by shimming to assure firm and even bearing. Two 1/8" fabric adjusting shims of the dimensions of the Exterior Bearing Pad shall be provided for each bearing. Keyway surfaces shall be cleaned to remove form oil or other bond breaking material prior to shipment of the beams. Cleaning shall be done by sandblasting the keyway areas between top of the beam and the bottom edge of the key. A Calcium Nitrate Corrosion Inhibitor shall be used in the concrete for Precast Prestressed Concrete Deck Beams. Required Release Strength, f'ci, shall be 5,000 p.s.i. **BILL OF MATERIAL**

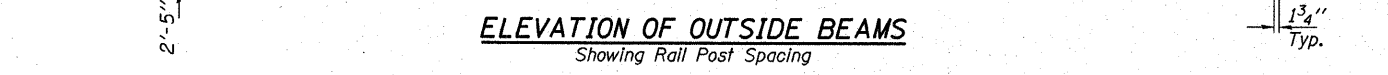
ITEM	UNIT	QUANTITY
Precast Prestressed Concrete Deck Beams (42" Depth)	Sq. Ft.	2,320



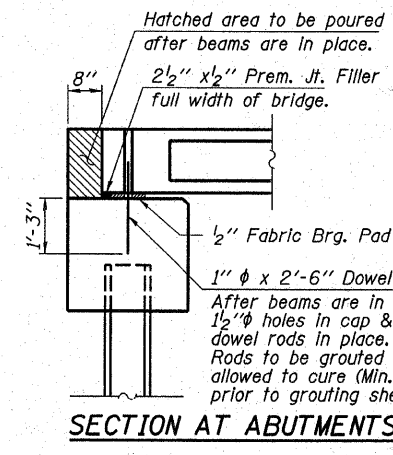
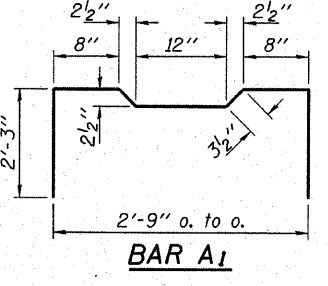
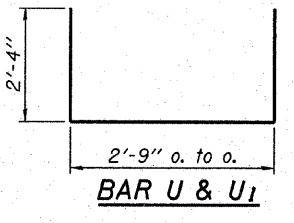
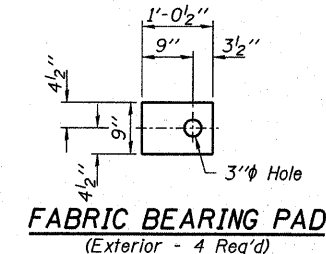
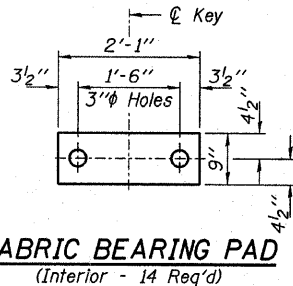
CROSS SECTION



PLAN



ELEVATION OF OUTSIDE BEAMS
Showing Rail Post Spacing



SECTION AT ABUTMENTS

HAMPTON, LENZINI & RENWICK, INC.
CIVIL & STRUCTURAL ENGINEERS
LAND SURVEYORS
3085 STEVENSON DRIVE, SUITE 201
SPRINGFIELD, ILLINOIS 62703
(217) 546-3400
ELGIN • SPRINGFIELD
PROJECT NUMBER: 12-81-0002-1 DATE: 04/02/07
DESIGNED: T.P.L. CHECKED: J.L.B. DRAWN: P.J.L.

SUPERSTRUCTURE
SECTION 04-00112-00-BR
COUNTY HIGHWAY 8
RICHLAND COUNTY
STRUCTURE NO. 080-3213 / STATION 7+58