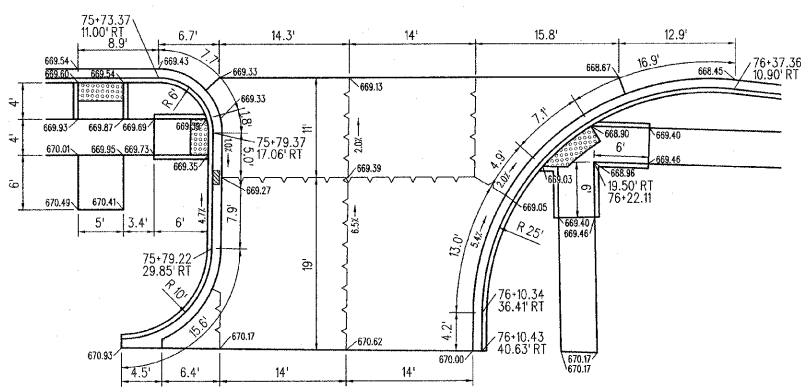
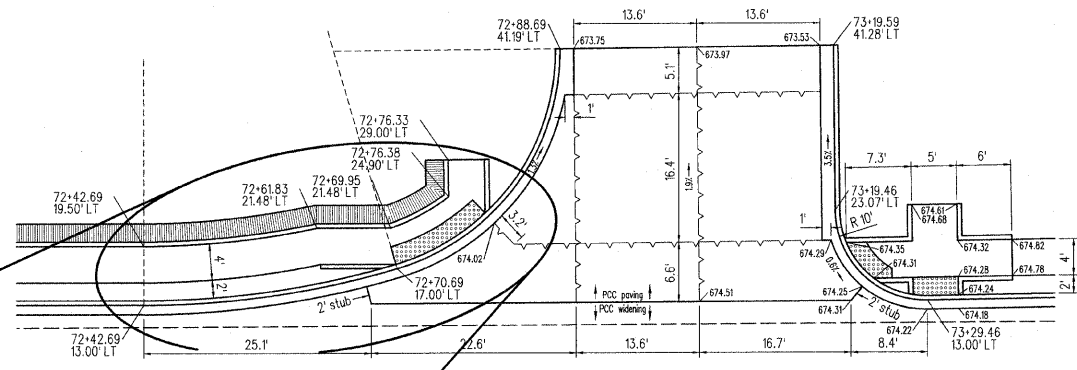


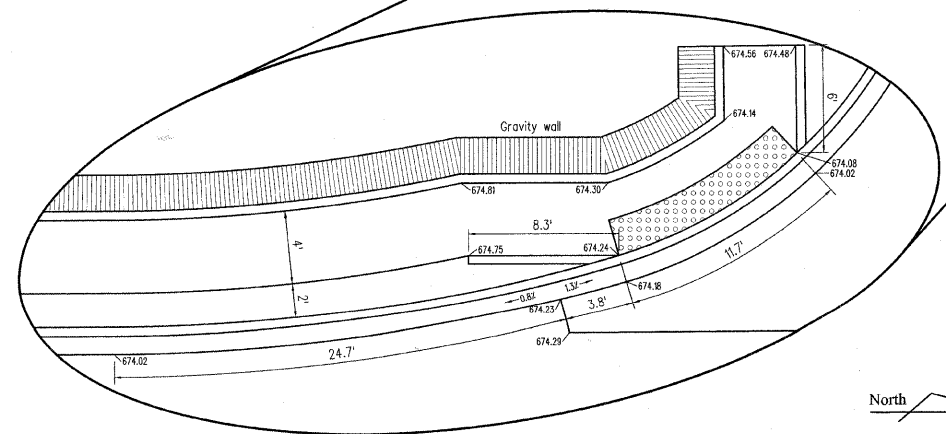
Monroe Avenue (west)



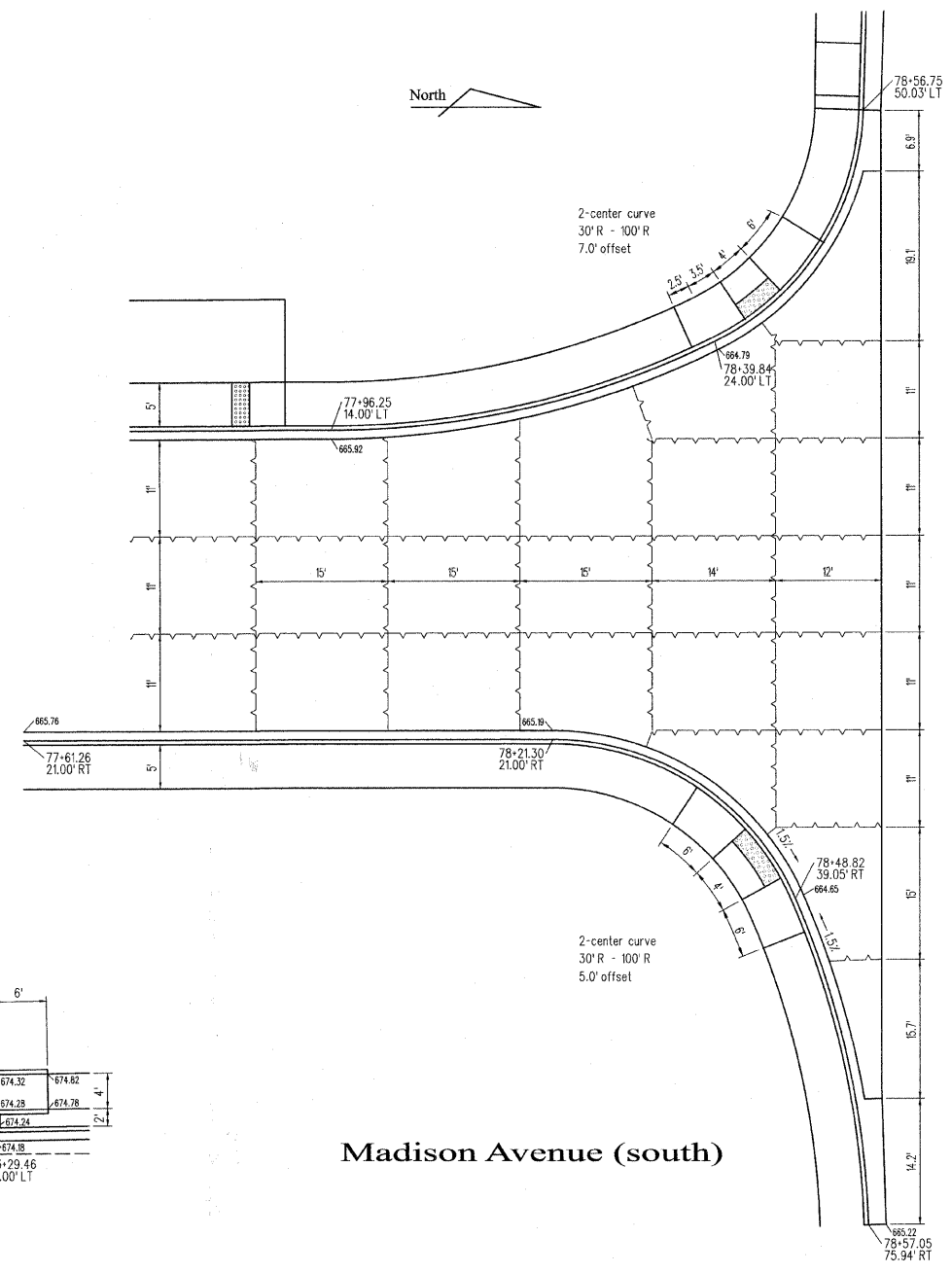
Monroe Avenue (east)



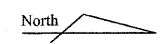
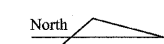
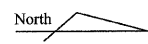
Jackson Avenue (west)



Jackson Avenue (east)



Madison Avenue (south)



2-center curve
30' R - 100' R
7.0' offset

2-center curve
30' R - 100' R
5.0' offset

DRAWN	DCR
DATE	CHECKED
DATE	DATE
APPROVED	REVISID
DATE	DATE
DATE	DATE

SCALES
1" = 10'

4th Street

Intersection Details

Sheet No.
8
of 57 Sheets

Note: All pavement joints shall comply with IDOT Standard 420001