

City of Charleston

FAU 7643

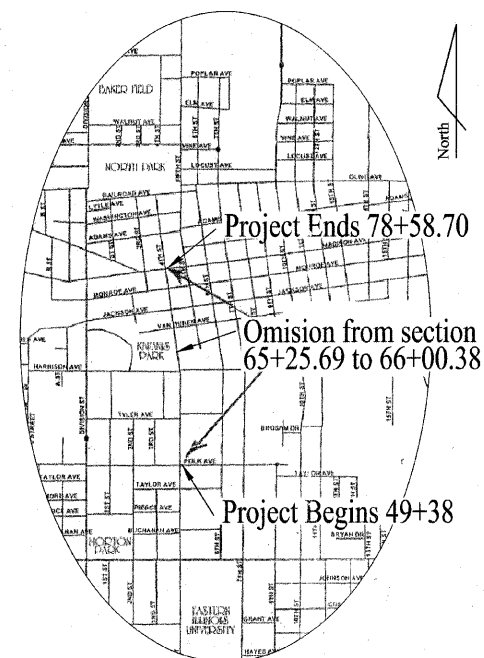
4th Street Widening and Resurfacing

Section - 00-00064-00-WR

Coles County

Sections 14 & 15, T 12 N, R 9 E

Surface Transportation Urban
Project #M-5013 (13)
Job #C-97-049-07



Location Map
(not to scale)

Total Length of Section = 2920.70 feet = 0.553 miles
Omissions from section = 74.69 feet = 0.014 miles
Net Length of Section = 2846.01 feet = 0.539 miles

HIGHWAY STANDARDS

- 07-420001 Pavement Joints
- 05-424001 Curb Ramps for Sidewalks
- 03-442201 Class C & D Patches
- 01-542301 Precast Reinforced Concrete Flared End Section
- 01-602301 Inlet Type A
- 01-602401 Manhole Type A
- 01-602601 Precast Reinforced Concrete Flat Slab Top
- 02-604001 Frame and Lids Type 1
- 01-604036 Grate Type 8
- 02-604051 Frame and Grate Type 11
- 03-606001 Concrete Curb Type B and Combination Concrete Curb and Gutter
- 04-701501 Urban Lane Closure - 2L, 2W Undivided
- 701901 Traffic Control Devices
- 01-780001 Typical Pavement Markings

Index of Sheets

- 1 Cover Sheet
- 2 Summary of Quantities
- 3 General Notes
- 4 Sewer Schedules
- 5 Existing Typical Cross Sections
- 6 Proposed Typical Cross Sections
- 7-8 Intersection Details
- 9-26 Plan and Profile Sheets
- 27-28 Miscellaneous Details
- 29 Intersection Striping Details
- 30-31 Erosion Control Plan
- 32-51 Cross Sections
- 52-55 Waterline Plans
- 56-57 Sanitary Sewer Plans

Polk Avenue to Jackson Avenue

2006 ADT = 4500

2026 ADT = 5900

Jackson Avenue to Madison Avenue

2006 ADT = 2800

2026 ADT = 3700

Design Speed - 30 mph
Class - Urban Minor Arterial

Call JULIE

Call 2 working days Before You Dig for the location of buried utilities.

In Illinois It's The Law!

1-800-892-0123

Plans prepared by,
CSI CONSOLIDATED SERVICES INC.
of Coles County

ENGINEERING - SURVEYING - CONSTRUCTION MANAGEMENT
520 Jackson Avenue - P.O. Box 644 - Charleston, Illinois - 61920 - (217) 345-9511

Dated this 19th day of DECEMBER 2007

Edwin Dale Buxton

Edwin Dale Buxton
Illinois Professional Engineer #26170

State of Illinois Department of Transportation Division of Highways	
Approved	<i>December 19th 2007</i>
	<i>[Signature]</i> Mayor, City of Charleston
Passed	<i>1-02-2008</i>
	<i>Maureen [Signature]</i> Engineer of Local Roads and Streets
Releasing for Bid Based on Limited Review	<i>1-2-2008</i>
	<i>Christa [Signature]</i> Deputy Director of Highways

Contract #95539

CSI CONSOLIDATED SERVICES INC.
of Coles County

ENGINEERING - SURVEYING - CONSTRUCTION MANAGEMENT
520 Jackson Avenue - P.O. Box 644 - Charleston, Illinois - 61920 - (217) 345-9511
CSI File #3378-06-06

DRAWN DATE	CHECKED DATE	APPROVED DATE	REVISED DATE

SCALES	N/A
--------	-----

4th Street
Cover Sheet

Sheet No.
1
of 57 Sheets

Summary of Quantities

Item No.	Description	Units	Non		Quantity	Item No.	Description	Units	Non		Quantity
			Participating Funds	Participating Funds					Participating Funds	Participating Funds	
20100110	Tree Removal (6 to 15 Units Diameter)	UNITS	104		104	550A0340	Storm Sewers, Class A, Type 2 12"	FEET	514.6		514.6
20100210	Tree Removal (Over 15 Units Diameter)	UNITS	122		122	550A0380	Storm Sewers, Class A, Type 2 18"	FEET	273.99		273.99
20200100	Earth Excavation	CY	1659		1659	55100500	Storm Sewer Removal 12"	FEET	40.5		40.5
20800150	Trench Backfill	CY	1175.2	1516.87	2692.07	* 56103100	Ductile Iron Water Main 8"	FEET		1207.52	1207.52
25000100	Seeding, Class 1	AC	1.23		1.23	* 56108800	Tapping Valves and Sleeves, 6"	EACH		1	1
25000400	Nitrogen Fertilizer Nutrient	LBS	110.7		110.7	* 56109210	Water Valves To Be Adjusted	EACH	13		13
25000500	Phosphorus Fertilizer Nutrient	LBS	110.7		110.7	* 56200200	Water Service Line 3/4"	FEET	99	600	699
25000600	Potassium Fertilizer Nutrient	LBS	110.7		110.7	* 56200300	Water Service Line 1"	FEET		5	5
25100115	Mulch, Method 2	AC	2.46		2.46	* 56200700	Water Service Line 2"	FEET		55	55
28000255	Temporary Erosion Control Seeding	AC	1.23		1.23	* 56400100	Fire Hydrants To Be Moved	EACH	4		4
28000300	Temporary Ditch Checks	EACH	3		3	* 56500100	Domestic Meter Vaults To Be Moved	EACH	13		13
28000400	Perimeter Erosion Barrier	FEET	813.4		813.4	* 56500300	Domestic Meter Vaults To Be Adjusted	EACH	1		1
28000500	Inlet and Pipe Protection	EACH	27		27	* 56500500	Domestic Meter Vaults	EACH		23	23
28000510	Inlet Filters	EACH	4		4	60218400	Manholes, Type A, 4' - Diameter, Type 1 Frame, Closed Lid	EACH	6		6
31101200	Sub-Base Granular Material, Type B 4"	SY	5189.01		5189.01	60219300	Manholes, Type A, 4' - Diameter, Type 11 Frame and Grate	EACH	8		8
35101800	Aggregate Base Course, Type B 6"	SY	429.47		429	60228110	Manholes, Sanitary, 4' - Diameter, Type 1 Frame, Closed Lid	EACH		1	1
35102000	Aggregate Base Course, Type B 8"	SY	139.08		139	60236200	Inlets, Type A, Type 8 Grate	EACH	1		1
35300200	Portland Cement Concrete Base Course 7"	SY	2706.31		2706.31	60236800	Inlets, Type A, Type 11 Frame and Grate	EACH	16		16
35400200	Portland Cement Concrete Base Course Widening 7"	SY	962.24		962.24	60238610	Inlets, Type A, With Salvaged Grate	EACH	2		2
40200800	Aggregate Surface Course, Type B	TONS	76.75		76.75	60249400	Valve Boxes 6"	EACH		1	1
40600100	Bituminous Materials (Prime Coat)	GAL	890.91		890.91	60255500	Manholes To Be Adjusted	EACH	20		20
40600300	Aggregate (Prime Coat)	TONS	17.81		17.81	60266910	Valve Boxes To Be Removed	EACH	1		1
40600625	Leveling Binder (Machine Method), N50	TONS	458.21		458.21	605C0040	Removing Manholes	EACH	1		1
40600982	Hot-Mix Asphalt Surface Removal - Butt Joint	SY	144.85		144.85	60500060	Removing Inlets	EACH	13		13
40603310	Hot-Mix Asphalt Surface Course, Mix "C", N50	TONS	748.36		748.36	60500105	Filling Manholes	EACH	1		1
40800010	Bituminous Materials (Prime Coat)	GAL	284.32		284.32	60600605	Concrete Curb, Type B	FEET	191.62		191.62
40800030	Aggregate (Prime Coat)	TONS	1.71		1.71	60603800	Combination Concrete Curb and Gutter, Type B-6.12	FEET	5833.89		5833.89
40800050	Incidental Hot-Mix Asphalt Surfacing	TONS	95.53		95.53	60605000	Combination Concrete Curb and Gutter, Type B-6.24	FEET	54.36		54.36
42300200	Portland Cement Concrete Driveway Pavement, 6 Inch	SY	679.71		679.71	67100100	Mobilization	L SUM	1		1
42400100	Portland Cement Concrete Sidewalk 4 Inch	SF	20965.3		20965.3	70101700	Traffic Control and Protection	L SUM	1		1
42400800	Detectable Warnings	SF	481.66		481.66	* 78000100	Thermoplastic Pavement Marking - Letters and Symbols	SF	82.38		82.38
44000100	Pavement Removal	SY	2450.18		2450.18	* 78000200	Thermoplastic Pavement Marking - Line 4"	FEET	5726.68		5726.68
44000159	Hot-Mix Asphalt Surface Removal, 2 1/2"	SY	254.68		254.68	* 78000400	Thermoplastic Pavement Marking - Line 6"	FEET	604.29		604.29
44000198	Hot-Mix Asphalt Surface Removal, Variable Depth	SY	4239.26		4239.26	* 78000650	Thermoplastic Pavement Marking - Line 24"	FEET	63.5		63.5
44000200	Driveway Pavement Removal	SY	1032.09		1032.09	* X0322468	Gas Valve To Be Adjusted	EACH	2		2
44000500	Combination Curb and Gutter Removal	FEET	5738.08		5738.08	X0322923	Segmental Concrete Block Wall	SF	2964		2964
44000600	Sidewalk Removal	SF	14729.95		14729.95	* XX001470	Sanitary Service Connection	EACH		2	2
44201474	Class C Patches, Type I	SY	24.81		24.81	* XX003803	Sanitary Sewer Service 6"	FEET		70	70
44201476	Class C Patches, Type II	SY	38.86	69.15	108.01	* XX003868	Water Service Connection, 2" Complete	EACH		3	3
44201478	Class C Patches, Type III	SY	19.62		19.62	* XX004591	Plug Water Main, 4"	EACH		1	1
44201480	Class C Patches Type IV	SY		188	188	* XX005206	Exploratory Excavation	FEET		391	391
44213200	Saw Cuts	FEET	357.72		357.72	* XX006241	Gate Valve and Box 8"	EACH		2	2
50104600	Concrete Retaining Wall Removal	FEET	124.15		124.15	* XX007263	Gate Valve w/Box, 4"	EACH		1	1
50901115	Steel Railing (Special)	FEET	812.16		812.16	* XX007264	Tee, MJ, 8" x 4"	EACH		1	1
54213663	Precast Reinforced Concrete Flared End Sections 18"	EACH	1		1	XX104100	Connection to Existing Manhole	EACH	4		4
550A0050	Storm Sewers, Class A, Type 1 12"	FEET	641.44		641.44	Z0012450	Concrete Steps	CY	18.16		18.16
550A0090	Storm Sewers, Class A, Type 1 18"	FEET	500.66		500.66	XX007270	Concrete Removal (special)	SF	806.28		806.28
						* Z0056900	Sanitary Sewer 8"	FEET		391	391

* Specialty Items

Contract #95539

CSI CONSOLIDATED SERVICES INC.
of Coles County

ENGINEERING - SURVEYING - CONSTRUCTION MANAGEMENT
520 Jackson Avenue - P.O. Box 644 - Charlestown, Illinois - 61920 - (217) 345-9511

CSI File #3375-06-06

DRAWN	DATE	CHECKED	DATE	APPROVED	DATE	REVISED	DATE
-------	------	---------	------	----------	------	---------	------

SCALES	N/A
--------	-----

4th Street
Summary of Quantities

Sheet No.
2
of 57 Sheets

DRAWN	DATE	CHECKED	DATE	APPROVED	DATE	REVISED	DATE

SCALES	N/A
--------	-----

4th Street
General Notes

General Notes

- All elevations shown in the plans are based on U.S.G.S. mean sea level datum.
- Utility lines were plotted from information furnished by the various utility companies involved and their location should be considered "approximate only". These utility companies may be adjusting their facilities during construction. The contractor shall cooperate with these organizations while these adjustment are being performed. J.U.L.I.E. - Joint Utility Location Information for Excavators - 1-800-892-0123.

The following utility owners are known to have facilities in the area and are J.U.L.I.E. members -

City of Charleston - Water, Storm Sewer, Sanitary Sewer
Ameren CIPS - Electric, Gas
Illinois Consolidated Telephone Company - Telephone
Mediacom - Cablevision

- All trenches below or within two (2) feet of the proposed pavement, driveway pavement, sidewalk or curb and gutter shall be backfilled with trench backfill in accordance with the standard specifications.

Estimated Quantities:
2721.87 cu yd Trench Backfill

- All disturbed areas shall be restored and seeded with Class 1 Seeding and mulched. Payment will not be made for areas outside the right of way unless specifically shown on the plans.

Estimated Quantities:
1.23 Acres Temporary Erosion Control Seeding
1.23 Acres Seeding Class 1
2.46 Acres Mulch, Method 2

The following application rates have been used to calculate the various items necessary for seeding.

Fertilizer Nutrients	Application Rate	Est. Qty.
Nitrogen	90 lbs. per acre	110.7 lbs.
Phosphorous	90 lbs. per acre	110.7 lbs.
Potassium	90 lbs. per acre	110.7 lbs.

Permanent Seeding shall be performed between March 1st and June 1st or between August 1st and November 15th.

- PCC Base Course Widening may be poured monolithic with the curb and gutter or a longitudinal construction joint shall be used as described in Article 420.05. A tie bar between the base course widening and the curb and gutter is required for either option.

- Total area of bituminous resurfacing is 8909.05 square yards.
Estimated Quantities:
891 gal. Bituminous Materials (prime coat)
18 tons Aggregate (prime coat)
458 tons Leveling Binder (Machine Method), N50
748.36 tons Hot Mix Asphalt Surface Course, Mix "C", N50

Mixture Requirements:
The following mixture requirements are applicable for this project:
Mixture: Leveling Binder and Surface Course
Asphalt Cement: PG64-22
RAP% (max): 15%
Design Air Voids: 4% @ Ndesign = 50
Mixture Composition: IL 9.5
Friction Aggregate: Mixture C

- The existing pavement shall be cold-milled to the depth (s) specified in order to help establish the proposed profile grade with a constant cross slope as specified.

Estimated Quantities:
4239.26 sq yd Hot Mix Asphalt Surface Removal Var. Depth
254.68 sq yd Hot Mix Asphalt Surface Removal 2 1/2"

- Patches shown in the plans represent the best information available at the time of the completion of the plans for the letting. Variations of locations and sizes may occur.

Estimated Quantities:
Class C Patches, Type 1
12.00' Lt.51+20.29 to 2.71' Lt.51+20.29 3.10 SY
11.54' Rt.51+20.63 to 2.71' Lt.51+20.29 4.75 SY
12.00' Lt.54+76.89 to 1.68' Lt.54+76.89 3.44 SY
12.00' Rt.54+76.89 to 1.68' Lt.54+76.89 4.56 SY
11.62' Rt.56+19.70 to 0.31' Rt.56+27.30 4.54 SY
11.77' Lt.56+27.30 to 0.31' Rt.54+27.30 4.03 SY

Class C Patches, Type II
11.19' Lt.58+86.18 to 11.90' Rt.58+86.18 7.70 SY
11.37' Lt.60+93.48 to 12.00' Rt.60+93.48 7.79 SY
13.00' Lt.62+99.01 to 12.77' Rt.62+94.85 8.70 SY
9.70' Rt.70+37.82 to 10.68' Lt.70+37.82 6.79 SY
11.49' Rt.51+62.52 to 12.38' Lt.51+62.71 5.31 SY
11.42' Rt.51+91.61 to 12.29' Lt.51+91.80 5.27 SY
11.08' Rt.53+38.76 to 12.18' Lt.53+38.94 5.17 SY
11.54' Rt.53+95.26 to 12.15' Lt.53+95.44 5.26 SY
12.33' Rt.54+65.25 to 12.37' Lt.54+65.44 5.49 SY
11.84' Rt.55+79.59 to 11.87' Lt.55+79.77 5.27 SY
12.10' Rt.56+76.28 to 11.87' Lt.56+76.46 5.32 SY
11.55' Rt.57+90.59 to 11.70' Lt.57+90.77 5.17 SY
11.53' Rt.58+09.45 to 11.62' Lt.58+09.63 5.14 SY
11.79' Rt.59+21.58 to 11.01' Lt.59+21.76 5.07 SY
11.77' Rt.59+42.75 to 10.90' Lt.59+42.92 5.04 SY
12.10' Rt.60+25.68 to 11.35' Lt.60+25.85 5.21 SY
12.04' Rt.60+75.72 to 11.36' Lt.60+75.90 5.20 SY
6.50' Rt.68+88.00 to 12.30' Lt.68+88.00 8.50 SY
6.50' Rt.69+33.00 to 12.30' Lt.69+33.00 8.50 SY

Class C Patches, Type III
2.71' Lt.51+20.29 to 2.39' Lt.51+77.14 19.62 SY

Class C Patches, Type IV
12.66' Rt.66+45.48 to 12.13' Rt.70+36.42 188.00 SY

- Before ordering storm sewers, the contractor shall consult the engineer for exact lengths.
- Existing drainage tiles discovered during construction shall be connected to into drainage system as directed by the engineer.
- Benchmarks:

BM	Description	Elevation
BM 1	Top of rail at south end at the sw corner of the building at 403 Polk	690.49
BM 2	NW corner of lightpole base at 917 4th St.	677.54
BM 3	NW cor sidewalk (top step) at 851 4th St.	668.97
BM 4	NW corner stoop at 811 4th Street	660.39
BM 5	North end of sidewalk at base of wall on west side of bridge	660.39
BM 6	SW corner of sidewalk at 617 4th Street	660.39
BM 7	Top of curb at east end near church steps at 411 Jackson	660.39
BM 8	NE corner, old sign base at 320 Madison	660.39

CSI CONSOLIDATED SERVICES INC.
of Coles County

ENGINEERING - SURVEYING - CONSTRUCTION MANAGEMENT
520 Jackson Avenue - P.O. Box 644 - Charleston, Illinois - 61920 - (217) 345-9511
CSI File #5374-06-06

DRAWN	DCR
DATE	
CHECKED	
DATE	
APPROVED	
DATE	
REVISED	
DATE	

SCALES	N/A
--------	-----

4th Street
General Notes

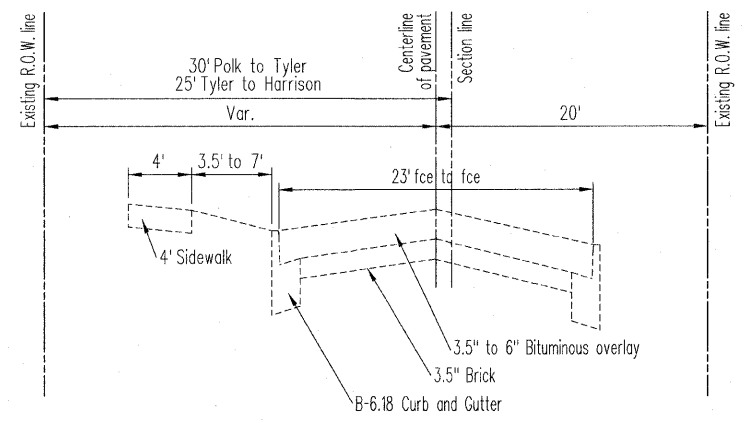
Sheet No.
4
of 57 Sheets

Storm Sewer Structure Schedule

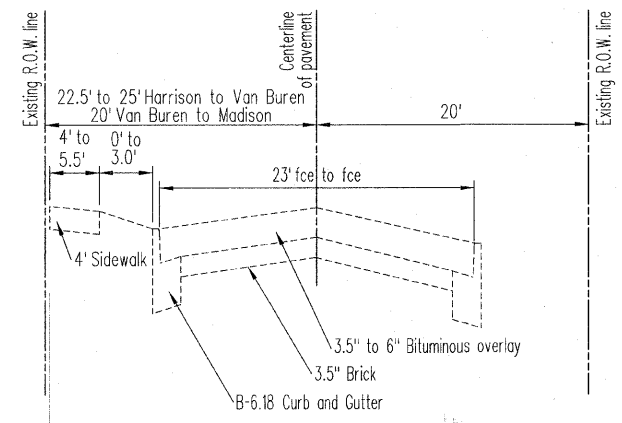
Str. No.	Location	Str. Type	Type of Casting	Top/FL Grate	Inv. Out			Inv. In			Inv. In									
1	78.10' RT 51+22.21	Type "A" Inlet	Type 8	685.70	12	RCP	(W)	683.45												
2	12.50' LT 51+15.22	Type "A" Inlet	Type 11	686.75	12	RCP	(E)	684.50												
3	2.71' LT 51+20.29	MHTy "A", 4' dia	Ty 1, Closed Lid	686.86	12	RCP	(N)	682.95	12	RCP	(E)	683.05	12	RCP	(W)	684.05				
4	2.39' LT 51+77.14	MH(exist)	Ty 1, Closed Lid (adjust)	685.26	12	PVC	(N)	679.60	12	RCP	(S)	679.70								
5	12.50' LT 54+76.89	Type "A" Inlet	Type 11	676.50	12	RCP	(E)	673.44												
6	12.50' RT 54+76.89	Type "A" Inlet	Type 11	676.50	12	RCP	(W)	673.61												
7	1.68' LT 54+76.89	MH(exist)	Ty 1, Closed Lid (adjust)	676.76	12	PVC	(N)	670.80	12	PVC	(S)	670.90	12	RCP	(W)	672.90	12	RCP	(E)	672.90
8	12.50' LT 56+27.30	Type "A" Inlet	Type 11	672.68	12	RCP	(E)	668.36												
9	46.57' RT 55+96.20	Type "A" Inlet	Type 8 (salvage)	670.50	12	RCP	(NW)	668.25												
10	0.3' RT 56+27.30	MHTy "A", 4' dia	Ty 1, Closed Lid	672.99	12	PVC	(N)	665.72	12	PVC	(S)	665.82	12	RCP	(W)	667.72	12	RCP	(SE)	667.72
11	1.94' RT 57+50.55	MH(exist)	Ty 1, Closed Lid (adjust)	669.90	15	RCP	(N)	660.14	12	PVC	(S)	661.74								
12	4.79' LT 63+30.84	MH(exist)	Ty 1, Closed Lid (adjust)	654.10	18	RCP	(N)	641.02	15	RCP	(S)	642.62								
13	14.66' RT 65+28.45	MH(exist)	Existing	647.47	12	RCP	(W)	644.30												
14	6.72' LT 65+25.03	MH(exist)	Existing	647.81				636.12	18	RCP	(S)	636.22	12	RCP	(E)	643.76				
15	9.75' LT 100+68.50 (Tyler)	Type "A" Inlet	Type 11	669.04	12	RCP	(S)	663.11												
16	9.75' RT 100+68.50 (Tyler)	Type "A" Inlet	Type 11	669.04	12	RCP	(N)	663.11												
17	0.76' LT 100+87.37 (Tyler)	MH(exist)	Ty 1, Closed Lid (adjust)	669.42	15	RCP	(W)	660.84												
18	1.05' LT 100+68.50 (Tyler)	MHTy "A", 4' dia	Ty 1, Closed Lid	669.29	15	RCP	(W)	660.68	12	RCP	(N)	662.68	12	RCP	(S)	662.68	15	RCP	(E)	660.68
19	12.50' RT 57+19.03	Type "A" Inlet	Type 11	670.40	12	RCP	(N)	663.72												
20	13.50' RT 57+50.67	MHTy "A", 4' dia	Ty 1, Closed Lid	669.62	15	RCP	(N)	660.21	15	RCP	(E)	660.24	12	RCP	(S)	662.14				
21	12.50' LT 58+86.18	Type "A" Inlet	Type 11	665.90	12	RCP	(E)	661.98												
22	13.50' RT 58+86.18	MHTy "A", 4' dia	Type 11	665.90	15	RCP	(N)	658.68	15	RCP	(S)	658.78	12	RCP	(W)	660.68				
23	12.50' LT 60+93.48	Type "A" Inlet	Type 11	660.07	12	RCP	(E)	657.82												
24	13.50' RT 60+93.48	MHTy "A", 4' dia	Type 11	660.07	18	RCP	(N)	656.51	15	RCP	(S)	656.61	12	RCP	(W)	657.61				
25	19.56' RT 63+00.19	Type "A" Inlet	Type 11	654.46	12	RCP	(E)	652.21												
26	14.11' RT 62+94.65	MHTy "A", 4' dia	Type 11	654.58	18	RCP	(N)	651.38	18	RCP	(S)	651.48	12	RCP		651.48				
27	12.50' LT 63+89.67	Type "A" Inlet	Type 11	651.49	12	RCP	(E)	649.24												
28	13.50' RT 63+89.67	MHTy "A", 4' dia	Type 11	651.49	18	RCP	(N)	648.29	18	RCP	(S)	649.11	12	RCP	(W)	648.39				
29	20.00' RT 64+66.25	Type "A" Inlet	Type 8 (salvage)	648.11	12	RCP	(W)	645.86												
30	13.50' RT 64+66.25	MHTy "A", 4' dia	Type 11	648.76	18	RCP	(N)	645.56	18	RCP	(S)	645.76	12	RCP	(E)	645.66				
31	30.00' RT 65+39.34	Flared End Section					643.50	18	RCP	(S)	643.50									
32	18.23' RT 70+37.81	Type "A" Inlet	Type 11	668.09	12	RCP	(SW)	665.84												
33	22.08' LT 70+39.45	Type "A" Inlet	Type 11	668.43	12	RCP	(SE)	666.18												
34	13.33' LT 70+37.81	MHTy "A", 4' dia	Ty 1, Closed Lid	668.41	12	RCP	(S)	665.58	12	RCP	(NE)	665.68	12	RCP	(NW)	665.68				
35	14.50' LT 67+35.00	MHTy "A", 4' dia	Type 11	666.83	12	RCP	(S)	647.65	12	RCP	(N)	647.75								
36	15.44' LT 66+03.69	MH(exist)							12	RCP	(N)	643.33								
37	21.00' LT 75+80.27	Type "A" Inlet	Type 11	669.15	12	RCP	(E)	666.90												
38	23.87' RT 75+71.79	MH(exist)	Ty 1, Closed Lid (salvage)	670.42	12	RCP	(E)	665.82												
39	22.00' RT 75+78.81	MHTy "A", 4' dia	Type 11	669.21	12	RCP	(N)	665.54	12	RCP	(W)	665.64	12	RCP	(W)	665.64				
40	39.12' RT 76+09.90	Type "A" Inlet	Type 11	670.07	12	RCP	(W)	667.82												
41	13.67' RT 76+11.99	MHTy "A", 4' dia	Ty 1, Closed Lid	668.86			663.83	12	RCP	(S)	664.53	12	RCP	(E)	666.53					
42	38.84' RT 78+49.29	Type "A" Inlet	Type 11	664.65	12	RCP	(W)	662.40												
43	50.04' LT 78+56.25	MHTy "A", 4' dia	Type 11	663.80	12	RCP	(W)	660.30	12	RCP	(E)	660.40								
44	293.16' LT 78+52.41	Catch Basin (exist)	Type 1, Open Lid (exist)	660.99			656.39	12	RCP	(E)	656.49									

Storm Sewer Schedule

From Str.	To Str.	Length	Size/Type	Grade	Existing/Proposed
1	3	80.84 ft	12 RCP	0.49%	Proposed
2	3	10.60 ft	12 RCP	4.25%	Proposed
3	4	56.85 ft	12 RCP	5.72%	Proposed
4	7	299.75 ft	12 PVC	2.90%	Existing
5	7	10.82 ft	12 RCP	4.99%	Proposed
6	7	14.17 ft	12 RCP	5.01%	Proposed
7	10	150.43 ft	12 PVC	3.31%	Existing
8	10	12.81 ft	12 RCP	5.00%	Proposed
9	10	55.74 ft	12 RCP	0.95%	Proposed
10	11	123.26 ft	12 PVC	3.23%	Existing
11	12	578.00 ft	15 RCP	3.03%	Existing
12	14	193.58 ft	18 RCP	2.48%	Existing
13	14	21.67 ft	12 RCP	2.49%	Existing
14	x				
15	18	8.69 ft	12 RCP	4.95%	Proposed
16	18	10.80 ft	12 RCP	3.98%	Proposed
17	18	18.96 ft	15 RCP	0.84%	Existing
18	20	54.91 ft	15 RCP	0.80%	Existing
19	20	31.64 ft	12 RCP	4.99%	Proposed
20	22	135.51 ft	15 RCP	1.06%	Proposed
21	22	26.00 ft	12 RCP	5.00%	Proposed
22	24	207.31 ft	15 RCP	1.00%	Proposed
23	24	26.00 ft	12 RCP	0.81%	Proposed
24	26	201.48 ft	18 RCP	2.50%	Proposed
25	26	34.12 ft	12 RCP	2.14%	Proposed
26	28	96.83 ft	18 RCP	2.34%	Proposed
27	28	26.00 ft	12 RCP	3.27%	Proposed
28	30	76.59 ft	18 RCP	3.30%	Proposed
29	30	6.50 ft	12 RCP	3.08%	Proposed
30	31	56.94 ft	18 RCP	3.62%	Proposed
31	X				
32	34	31.55 ft	12 RCP	0.51%	Proposed
33	34	8.90 ft	12 RCP	5.62%	Proposed
34	35	302.81 ft	12 RCP	5.89%	Proposed
35	36	131.26 ft	12 RCP	3.29%	Existing
36	X				
37	39	43.02 ft	12 RCP	2.93%	Proposed
38	39	7.27 ft	12 RCP	2.48%	Existing
39	41	33.60 ft	12 RCP	3.01%	Existing
40	41	25.45 ft	12 RCP	5.07%	Proposed
41	X				
42	43	89.16 ft	12 RCP	2.24%	Proposed
43	44	243.14 ft	12 RCP	1.57%	Proposed
44	X				



Existing Typical Cross Section #1
(Polk to Harrison)

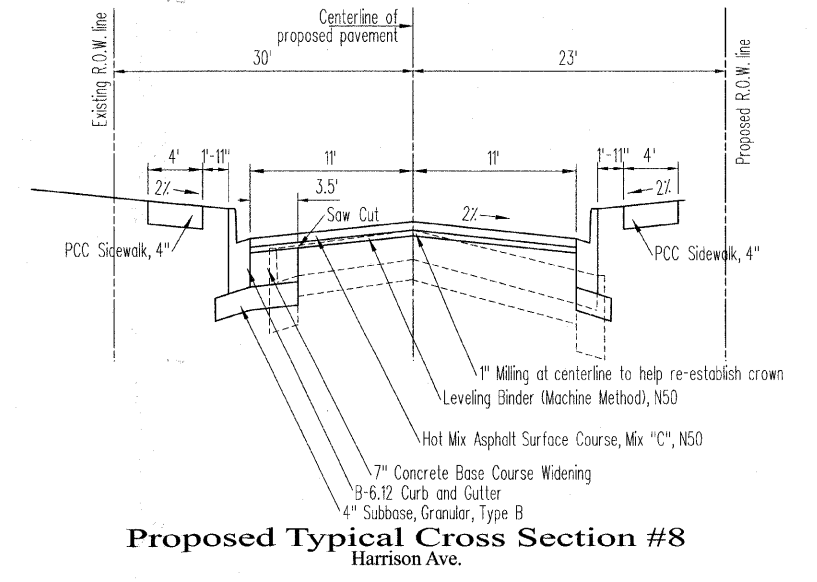
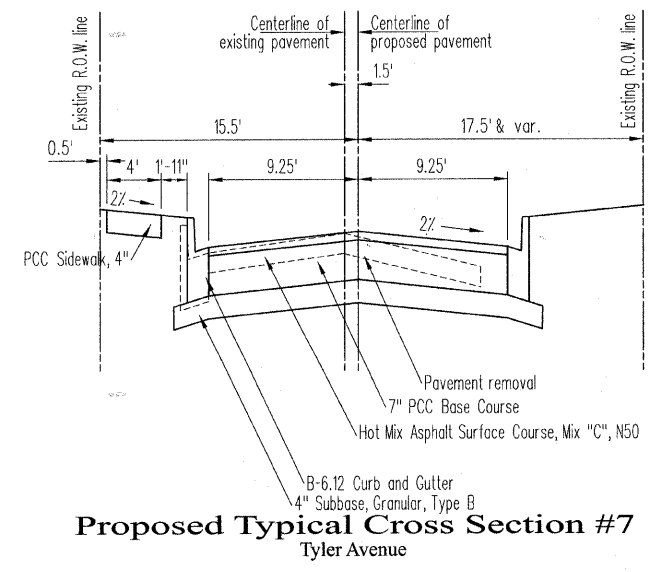
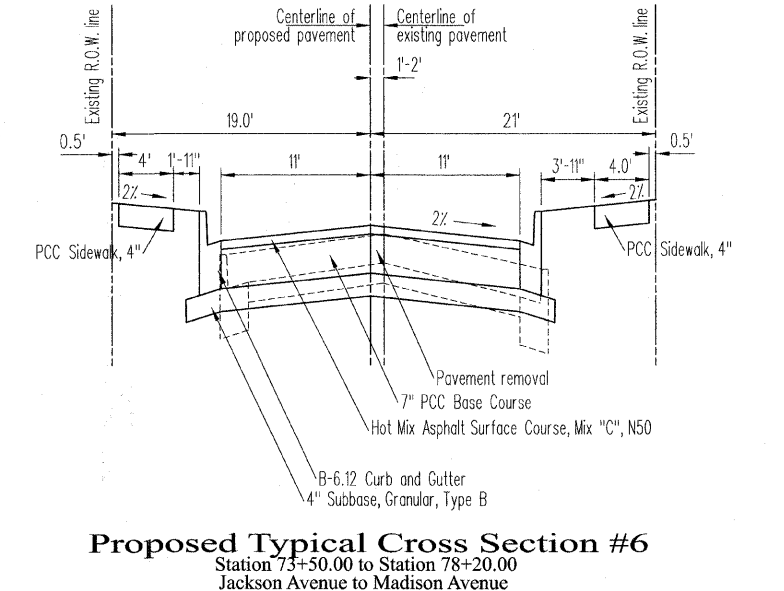
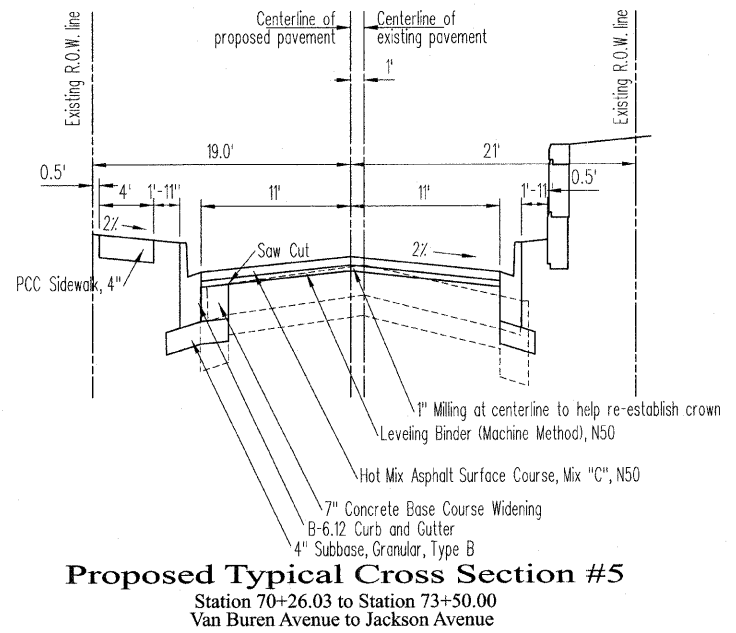
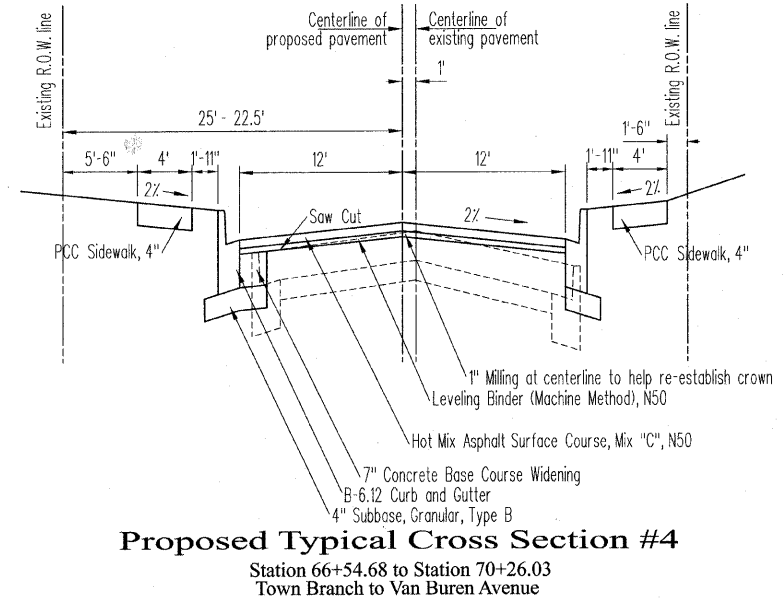
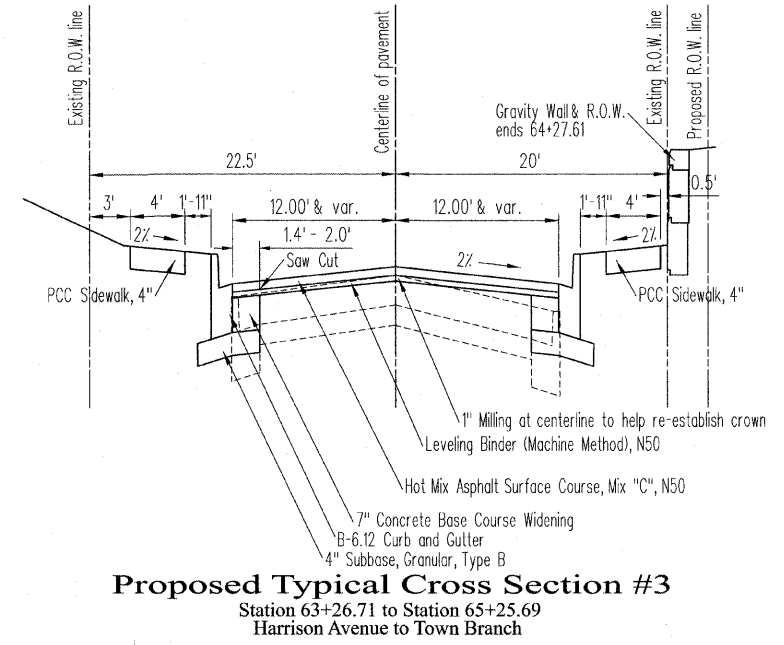
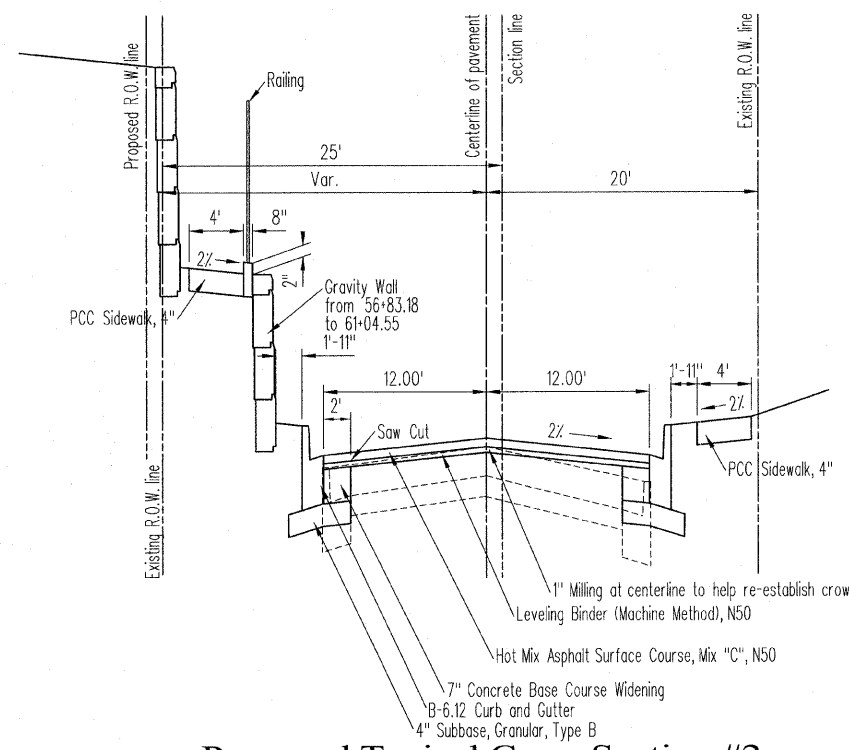
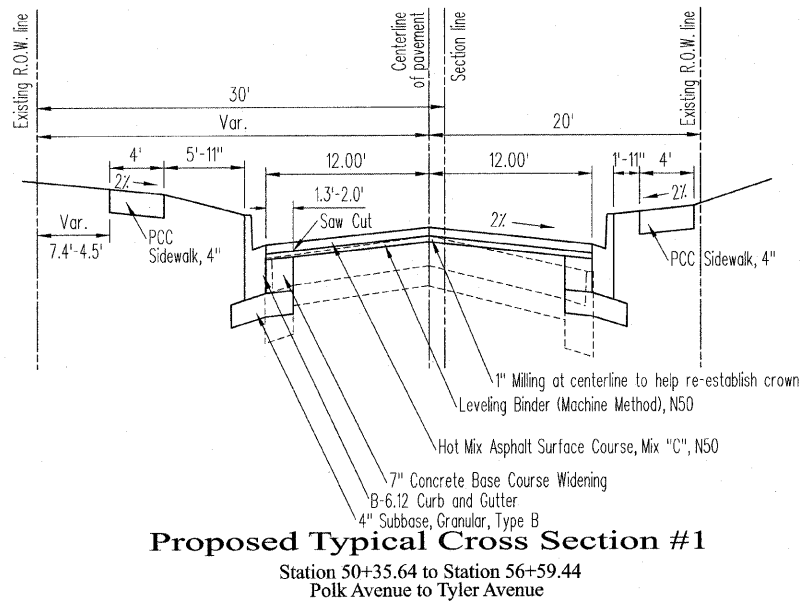


Existing Typical Cross Section #2
(Harrison to Madison)

DRAWN	DCR
DATE	
CHECKED	
DATE	
APPROVED	
DATE	
REVISED	
DATE	

SCALES	N/A
--------	-----

4th Street
Existing
Typical Sections



DCR	DRAWN DATE	CHECKED DATE	APPROVED DATE	REVISED DATE

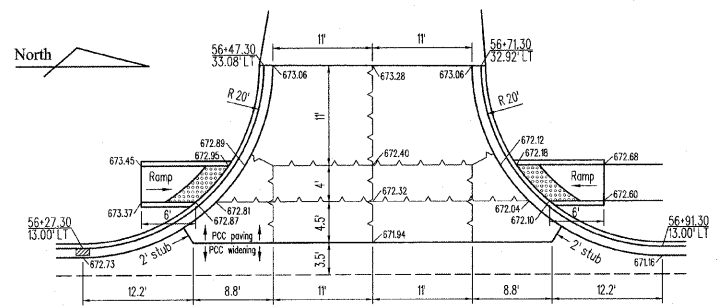
SCALES	N/A

4th Street
Proposed
Typical Sections

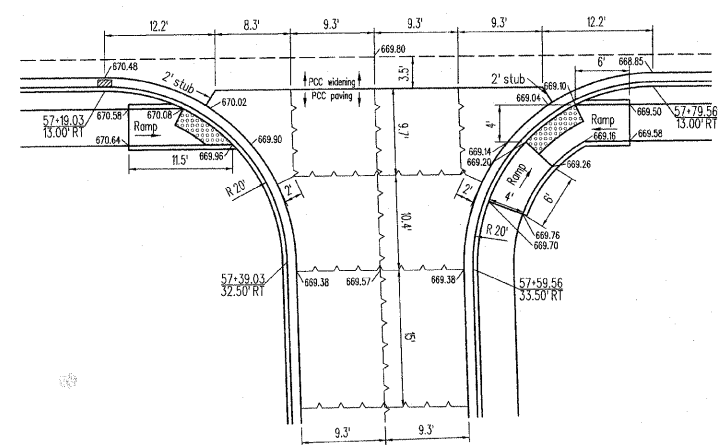
DATE	DESCRIPTION

SCALE	SCALE

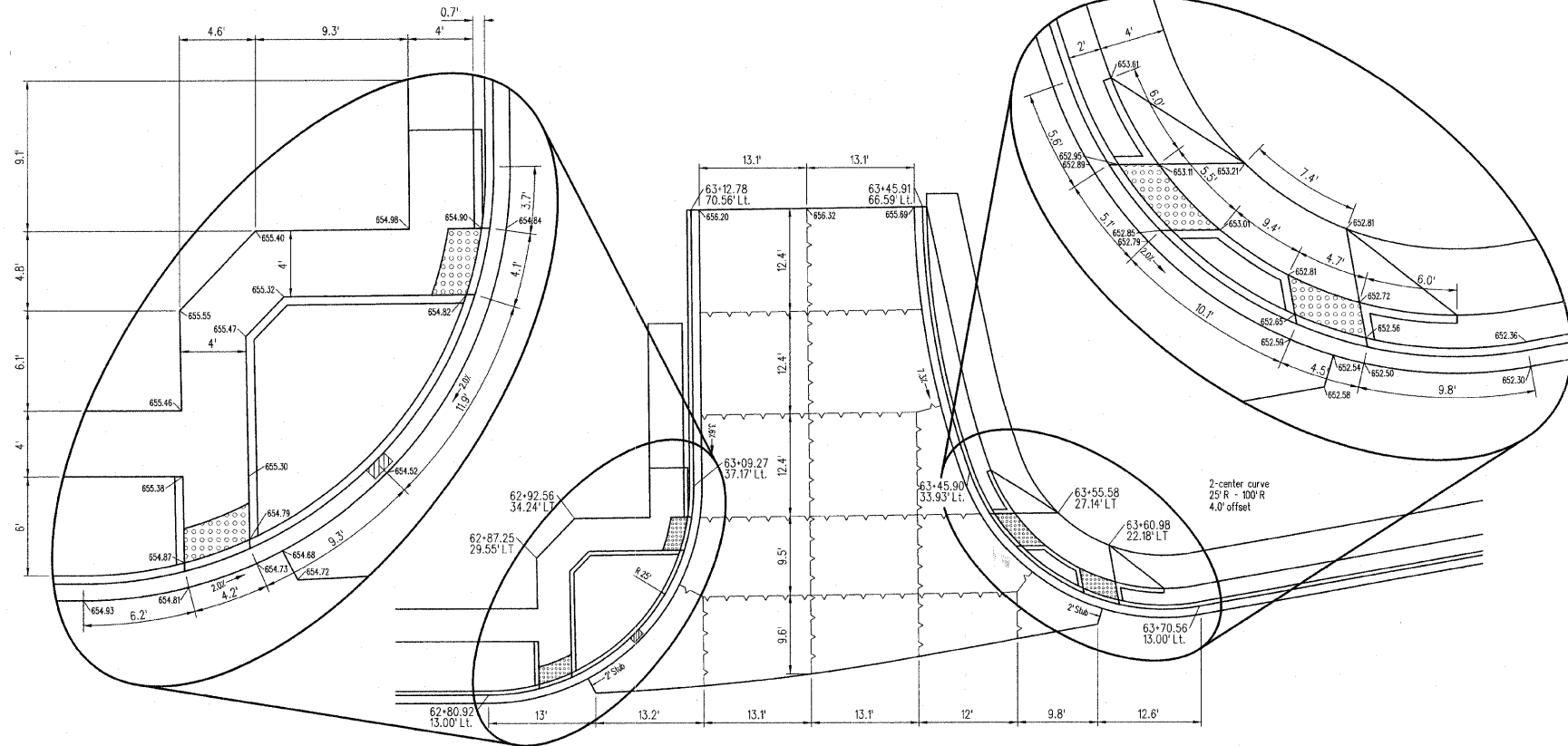
4th Street
Intersection Details



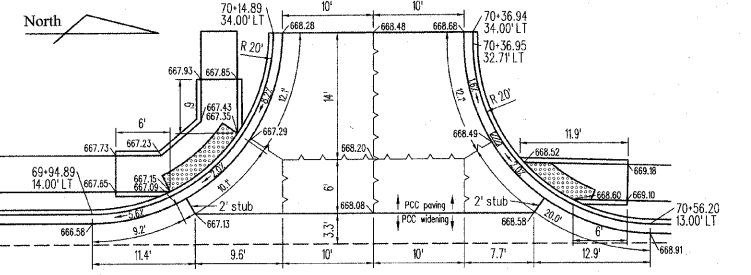
Tyler Avenue (west)



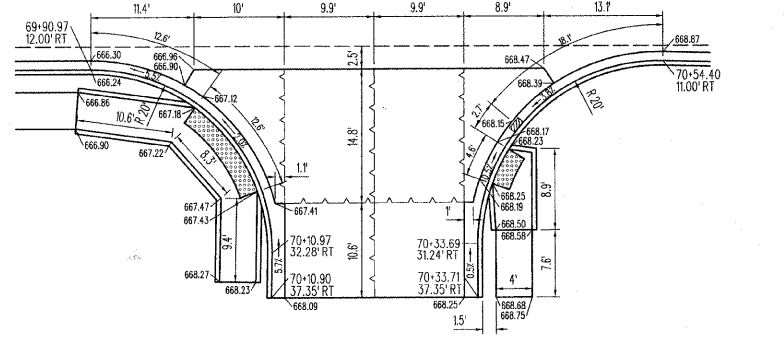
Tyler Avenue (east)



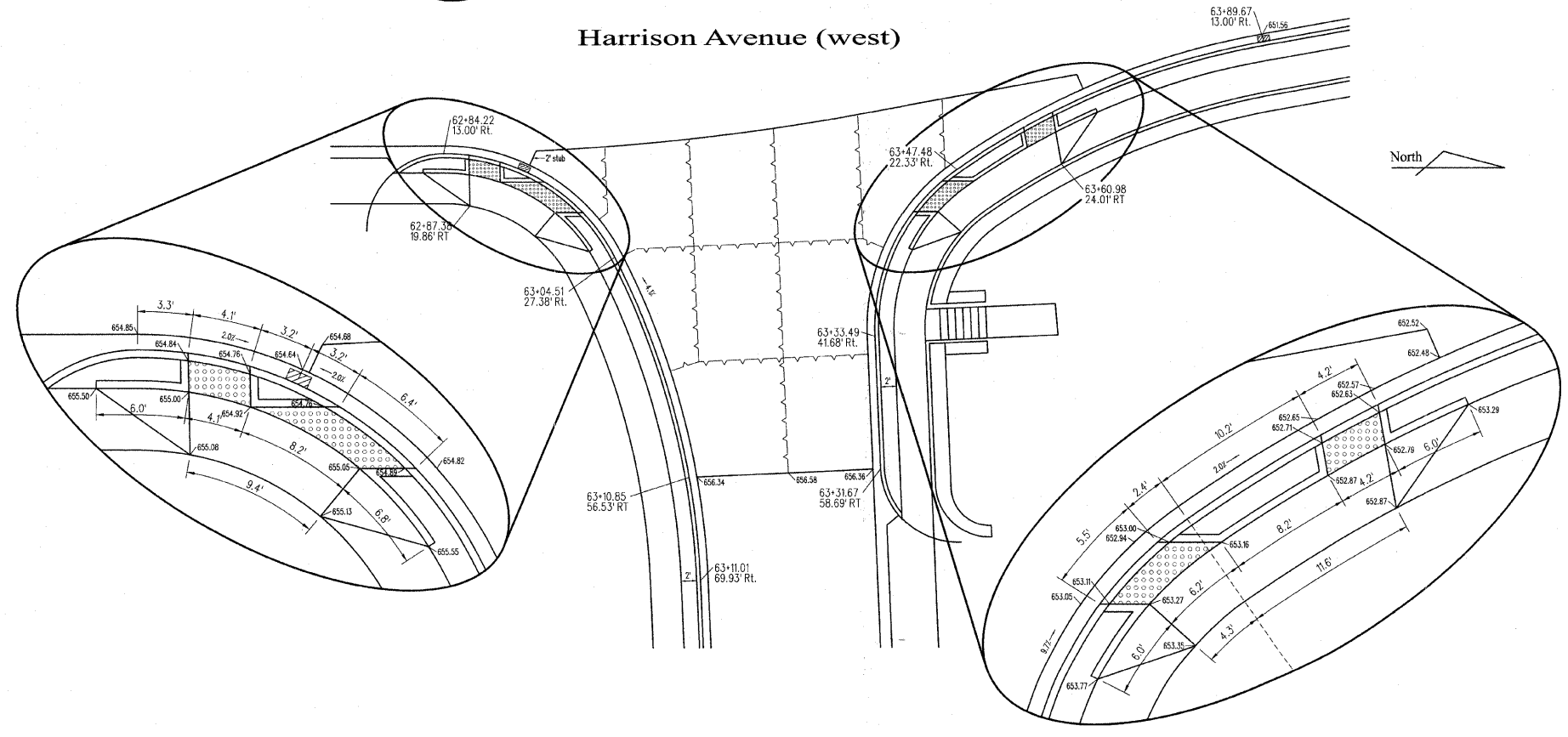
Harrison Avenue (west)



Van Buren Avenue (west)

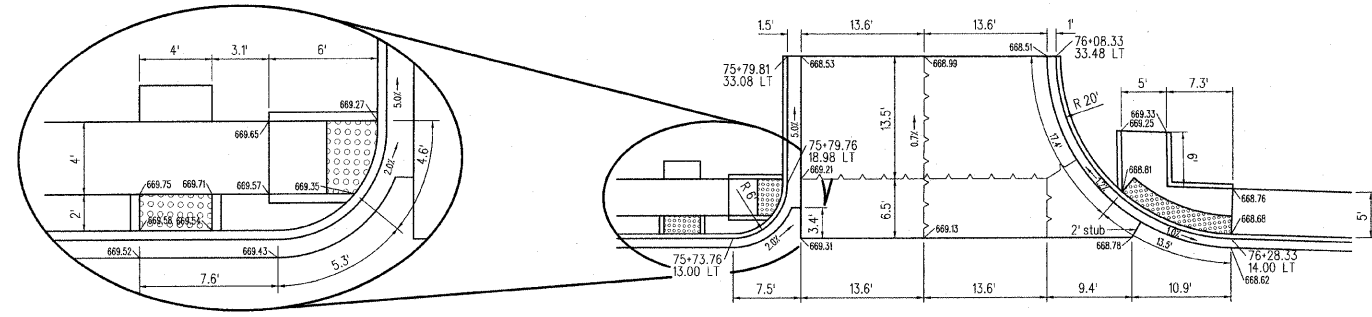


Van Buren Avenue (east)

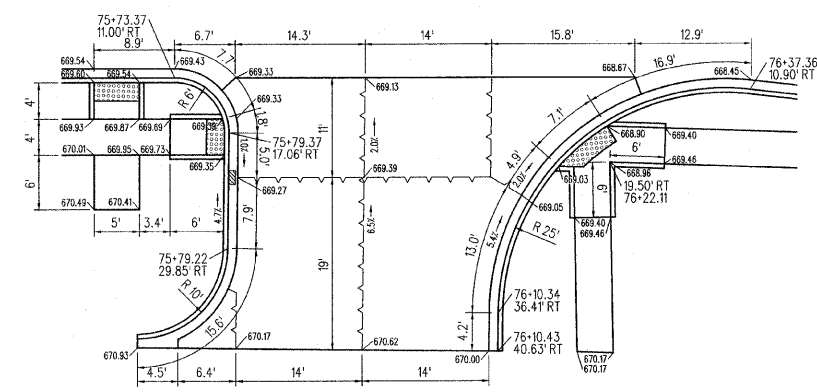


Harrison Avenue (east)

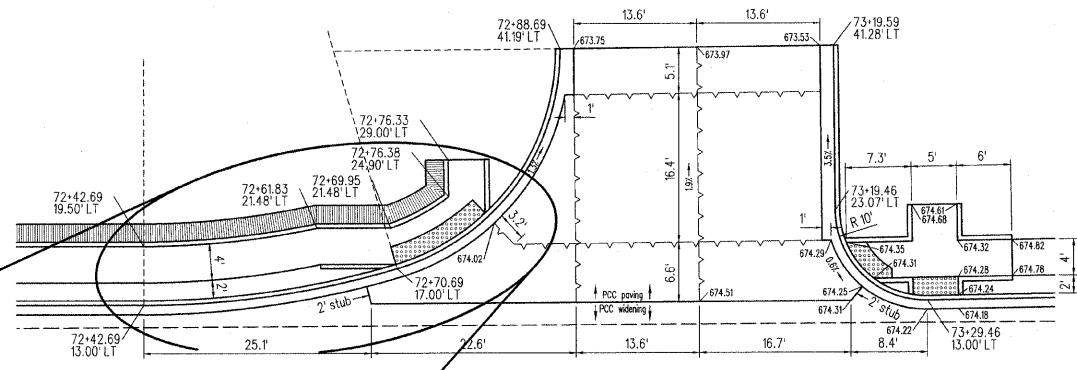
Note: All pavement joints shall comply with IDOT Standard 420001



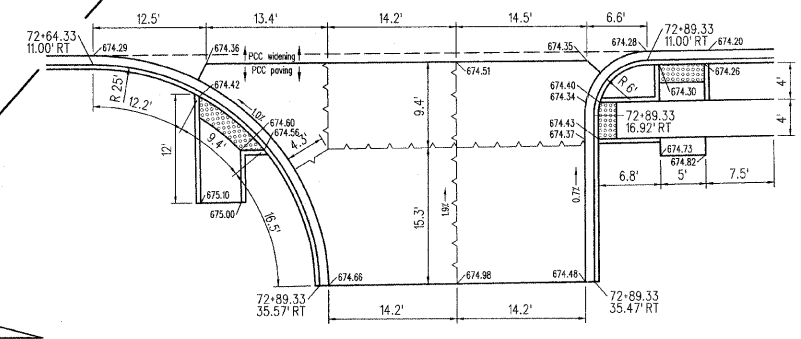
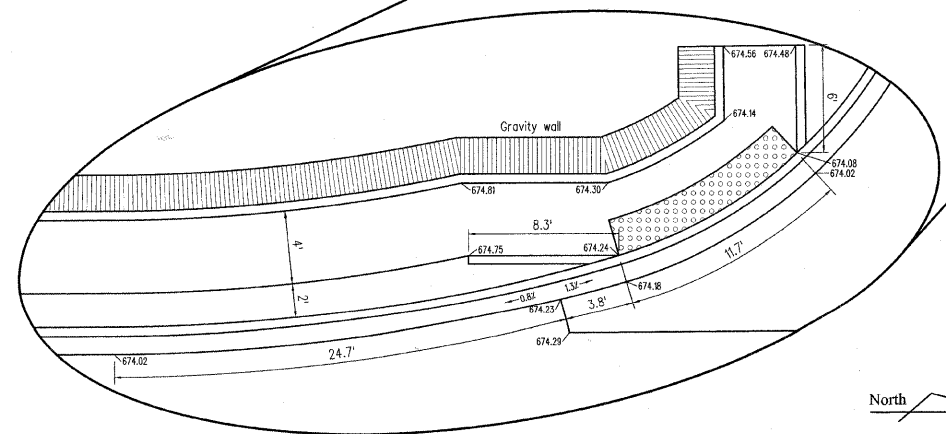
Monroe Avenue (west)



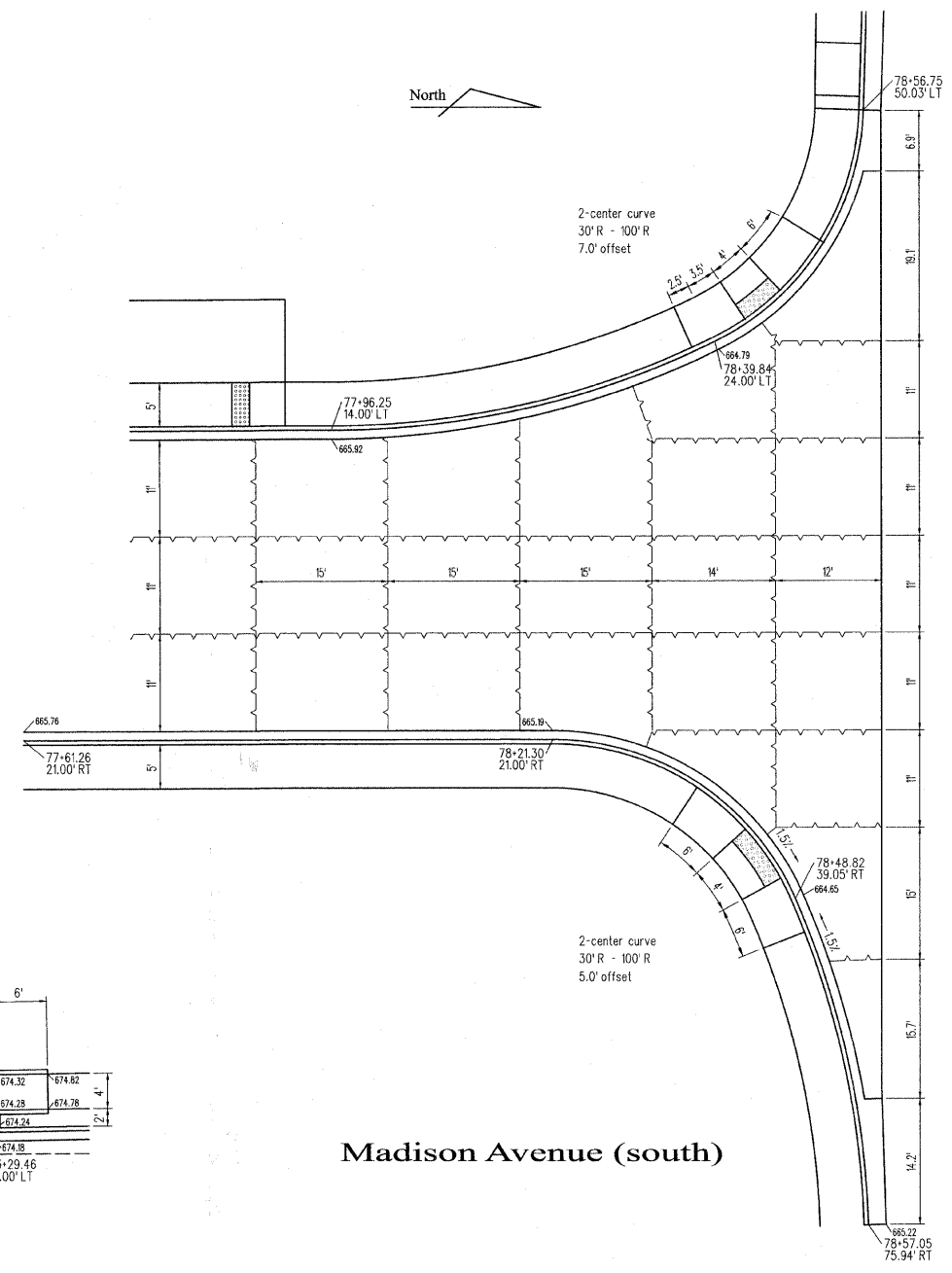
Monroe Avenue (east)



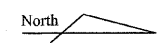
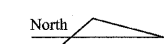
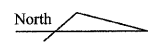
Jackson Avenue (west)



Jackson Avenue (east)



Madison Avenue (south)



DATE	DESCRIPTION

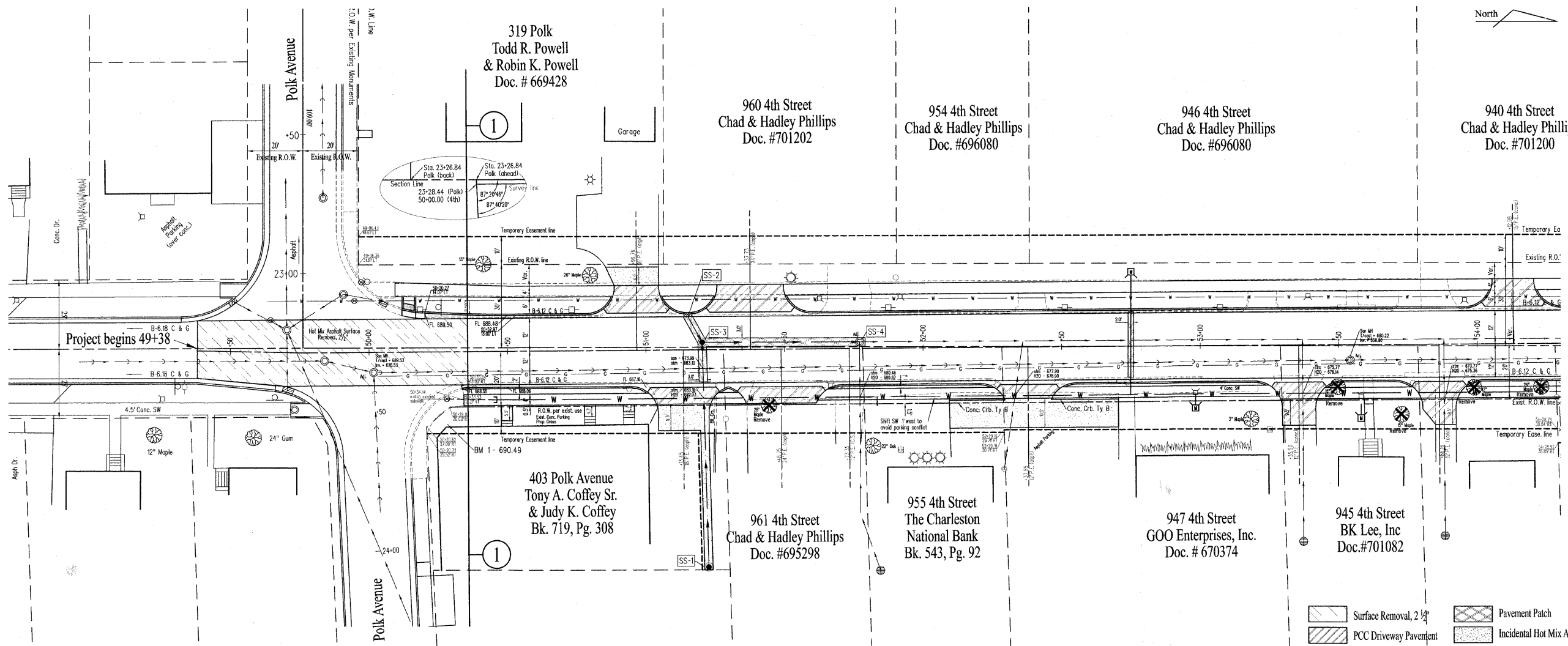
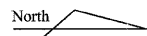
DATE	DESCRIPTION

SCALE: 1" = 10'

4th Street Intersection Details

Sheet No. **8**
of 57 Sheets

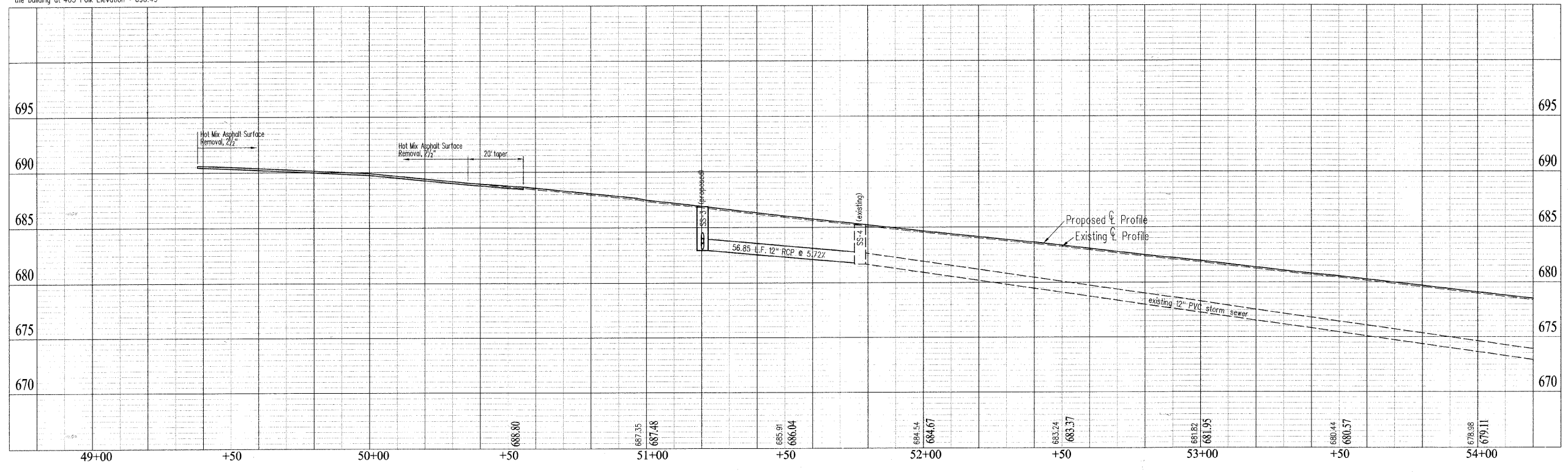
Note: All pavement joints shall comply with IDOT Standard 420001



Benchmark #1
Top of rail at south end of the sw corner of the building at 403 Polk Elevation = 690.49

- Surface Removal, 2 1/2"
- PCC Driveway Pavement
- Detectable Warning
- Pavement Patch
- Incidental Hot Mix Asphalt Surfacing
- Aggregate Surface

See sheets 50-53 for waterline notes



DCR	DRAWN	CHECKED	APPROVED	REVISID
DATE	DATE	DATE	DATE	DATE

SCALES
Plan: 1" = 20'
Profile: 1" = 20'
Vertical: 1" = 2'

4th Street

Plan and Profile

Sheet No.
9
of 57 Sheets

DRAWN	DKR
DATE	
CHECKED	
DATE	
APPROVED	
DATE	
REVISED	
DATE	

SCALES	N/A
--------	-----

4th Street
Plan and Profile

Tree Removal (6 to 15 Units Diameter)

15.21' Rt.53+49.51 15.00 UNITS
25.00' Rt.53+72.40 15.00 UNITS
15.67' Rt.53+98.71 12.00 UNITS
Total 42 UNITS

Tree Removal (Over 15 Units Diameter)

23.13' Rt.51+44.26 28.00 UNITS
Total 28 UNITS

Trench Backfill

12.50' Lt.51+15.22 to 2.71' Lt.51+20.29 3.50 CY
2.71' Lt.51+20.29 to 2.39' Lt.51+77.14 26.30 CY
78.10' Rt.51+22.21 to 2.71' Lt.51+20.29 15.20 CY
Total 45 CY

Sub-Base Granular Material, Type B 4"

12.72' Lt.50+20.27 to 12.58' Lt.54+00.00 158.13 SY
12.97' Rt.50+33.42 to 12.09' Rt.54+00.00 187.87 SY
Total 346 SY

Aggregate Base Course, Type B 6"

23.50' Lt.50+96.70 to 25.50' Lt.50+96.70 3.56 SY
19.50' Rt.51+13.45 to 29.00' Rt.51+13.45 19.38 SY
29.00' Rt.51+21.06 to 79.10' Rt.51+22.23 16.71 SY
19.50' Rt.52+37.85 to 29.00' Rt.52+37.85 61.82 SY
Total 101.47 SY

Portland Cement Concrete Base Course Widening 7"

11.00' Lt.50+20.26 to 11.00' Lt.54+00.00 84.39 SY
11.00' Rt.50+33.28 to 11.00' Rt.54+00.00 81.51 SY
Total 165.9 SY

Bituminous Materials (Prime Coat)

23.50' Lt.50+96.70 to 25.50' Lt.50+96.70 1.78 GAL
19.50' Rt.51+13.45 to 29.00' Rt.51+13.45 9.69 GAL
29.00' Rt.51+21.06 to 79.10' Rt.51+22.23 8.36 GAL
19.50' Rt.52+37.85 to 29.00' Rt.52+37.85 30.92 GAL
Total 50.75 GAL

Aggregate (Prime Coat)

23.50' Lt.50+96.70 to 25.50' Lt.50+96.70 0.01 TONS
19.50' Rt.51+13.45 to 29.00' Rt.51+13.45 0.06 TONS
29.00' Rt.51+21.06 to 79.10' Rt.51+22.23 0.05 TONS
19.50' Rt.52+37.85 to 29.00' Rt.52+37.85 0.19 TONS
Total 0.31 TONS

Incidental Hot-Mix Asphalt Surfacing

23.50' Lt.50+96.70 to 25.50' Lt.50+96.70 0.60 TONS
19.50' Rt.51+13.45 to 29.00' Rt.51+13.45 3.26 TONS
29.00' Rt.51+21.06 to 79.10' Rt.51+22.23 2.81 TONS
19.50' Rt.52+37.85 to 29.00' Rt.52+37.85 10.39 TONS
Total 17.06 TONS

Portland Cement Concrete Driveway Pavement, 6 Inch

13.50' Lt.50+96.70 to 23.50' Lt.50+96.70 21.00 SY
13.50' Rt.51+13.45 to 19.50' Rt.51+13.45 15.24 SY
13.50' Lt.51+37.73 to 23.50' Lt.51+37.73 29.89 SY
13.50' Rt.51+48.75 to 19.50' Rt.51+48.75 19.06 SY
13.50' Rt.52+37.85 to 19.50' Rt.52+37.85 13.06 SY
13.50' Rt.53+35.50 to 28.96' Rt.53+35.50 23.90 SY
13.50' Rt.53+86.16 to 29.00' Rt.53+86.16 22.49 SY
Total 144.64 SY

Portland Cement Concrete Sidewalk 4 Inch

26.65' Lt.50+09.57 to 21.50' Lt.50+88.59 337.53 SF
15.24' Lt.50+14.45 to 20.08' Lt.50+14.54 24.00 SF
17.50' Rt.50+34.15 to 17.50' Rt.51+02.67 273.65 SF
19.50' Rt.50+49.69 to 25.01' Rt.50+49.69 22.05 SF
19.50' Rt.50+79.68 to 23.82' Rt.50+79.68 17.28 SF
19.50' Rt.50+93.67 to 22.23' Rt.50+93.67 10.93 SF
21.50' Lt.51+04.81 to 21.50' Lt.51+25.62 82.66 SF
17.50' Rt.51+24.24 to 17.50' Rt.51+35.10 42.51 SF
21.50' Lt.51+49.84 to 21.50' Lt.54+00.00 1000.35 SF
16.50' Rt.51+63.16 to 16.50' Rt.52+27.95 257.87 SF
16.50' Rt.52+47.75 to 16.50' Rt.53+27.10 316.11 SF
17.50' Rt.53+43.16 to 17.50' Rt.53+78.52 140.46 SF
19.50' Rt.53+60.70 to 21.50' Rt.53+60.70 6.55 SF
17.50' Rt.53+93.81 to 17.50' Rt.54+00.00 24.28 SF
Total 2556.23 SF

Detectable Warnings

16.26' Lt.50+14.49 8.15 SF
Total 8.15 SF

Driveway Pavement Removal

Lt.50+96.70 18.30 SY
Rt.51+13.45 35.38 SY
Rt.51+30.49 23.35 SY
Rt.51+73.35 2.35 SY
Rt.52+37.85 92.66 SY
Lt.53+22.52 9.97 SY
Rt.53+35.50 24.41 SY
Lt.53+80.78 23.18 SY
Rt.53+86.16 19.73 SY
Total 249.33 SY

Combination Curb and Gutter Removal

15.35' Lt.50+11.97 to 12.16' Lt.54+00.00 388.15 FEET
13.20' Rt.50+33.52 to 11.32' Rt.53+73.76 340.30 FEET
11.47' Rt.53+95.38 to 11.18' Rt.54+00.00 4.63 FEET
Total 733.08 FEET

Sidewalk Removal

22.64' Lt.50+09.57 to 22.07' Lt.51+65.72 687.17 SF
16.08' Rt.51+37.39 to 14.22' Rt.52+28.41 365.36 SF
23.93' Lt.51+41.28 to 25.50' Lt.51+41.28 6.01 SF
18.17' Rt.51+55.10 to 22.50' Rt.51+55.10 13.30 SF
21.99' Lt.51+81.05 to 21.51' Lt.54+00.00 940.10 SF
24.24' Lt.51+98.01 to 25.50' Lt.51+98.01 5.14 SF
14.93' Rt.52+46.89 to 14.81' Rt.53+20.69 279.69 SF
11.82' Rt.52+68.33 to 13.35' Rt.52+68.33 4.70 SF
23.86' Lt.52+73.12 to 25.50' Lt.52+73.12 6.69 SF
17.12' Rt.52+73.31 to 19.50' Rt.52+73.31 13.65 SF
23.87' Lt.53+55.08 to 25.50' Lt.53+55.08 6.16 SF
12.65' Lt.53+55.08 to 19.70' Lt.53+55.08 45.19 SF
11.85' Rt.53+60.62 to 21.50' Rt.53+60.62 31.55 SF
Total 2404.71 SF

Class C Patches, Type I

12.00' Lt.51+15.22 to 2.71' Lt.51+20.29 3.49 SY
11.54' Rt.51+20.63 to 2.71' Lt.51+20.29 4.75 SY
Total 8.24 SY

Class C Patches, Type III

2.71' Lt.51+20.29 to 2.39' Lt.51+77.14 19.62 SY
Total 19.62 SY

Storm Sewers, Class A, Type 1 12"

12.50' Lt.51+15.22 to 2.71' Lt.51+20.29 11.03 FEET
2.71' Lt.51+20.29 to 2.66' Lt.51+29.06 8.77 FEET
78.10' Rt.51+22.21 to 2.71' Lt.51+20.29 80.84 FEET
Total 100.64 FEET

Manholes, Type A, 4' - Diameter, Type 1 Frame, Closed Lid

2.71' Lt.51+20.29 1.00 EACH
Total 1 EACH

Inlets, Type A, Type 8 Grate

7810.00' Rt.51+22.21 1.00 EACH
Total 1 EACH

Inlets, Type A, Type 11 Frame and Grate

12.50' Lt.51+15.22 1.00 EACH
Total 1 EACH

Manholes To Be Adjusted

8.37' Lt.49+70.40 1.00 EACH
3.00' Rt.49+83.96 1.00 EACH
7.33' Rt.50+01.64 1.00 EACH
2.39' Lt.51+77.14 1.00 EACH
5.63' Rt.53+54.10 1.00 EACH
Total 5 EACH

Concrete Curb, Type B

19.75' Rt.52+09.38 to 19.75' Rt.52+29.80 20.42 FEET
19.75' Rt.52+45.89 to 19.75' Rt.52+70.43 24.53 FEET
Total 44.95 FEET

Combination Concrete Curb and Gutter, Type B-6.12

15.35' Lt.50+11.97 to 13.00' Lt.54+00.00 388.15 FEET
13.21' Rt.50+33.53 to 13.24' Rt.54+00.00 366.47 FEET
Total 754.62 FEET

Thermoplastic Pavement Marking - Line 4"

0.00' Rt.49+38.00 to 0.00' Rt.54+00.00 115.50 FEET
11.67' Lt.50+20.26 to 11.67' Lt.54+00.00 379.74 FEET
11.92' Rt.50+33.22 to 11.67' Rt.54+00.00 366.80 FEET
Total 862.04 FEET

Thermoplastic Pavement Marking - Line 6"

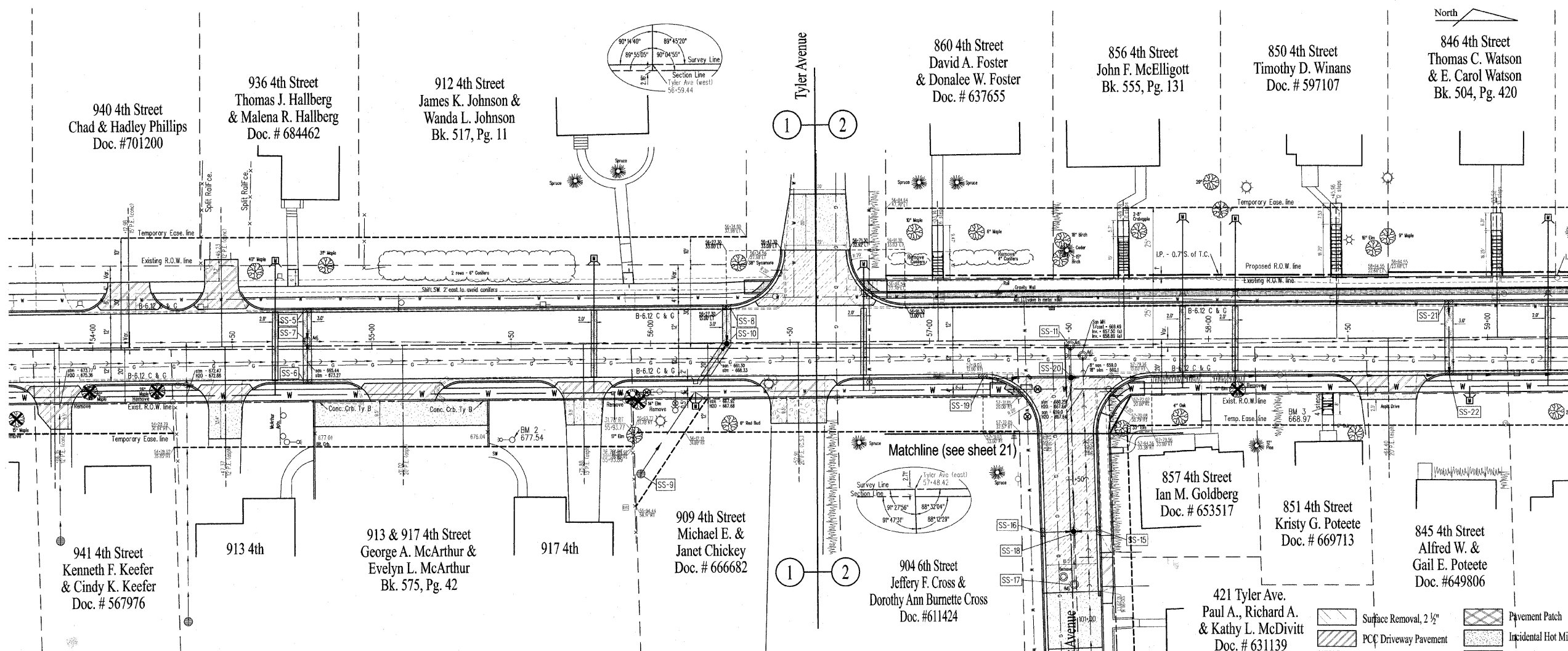
18.73' Lt.49+52.88 to 19.50' Lt.50+00.02 46.59 FEET
25.41' Lt.49+58.39 to 25.99' Lt.49+94.09 34.95 FEET
18.01' Rt.49+81.27 to 14.71' Rt.50+13.54 32.10 FEET
24.15' Rt.49+86.49 to 22.19' Rt.50+14.03 27.36 FEET
13.46' Lt.50+11.31 to 15.71' Rt.50+13.54 29.50 FEET
22.19' Rt.50+14.03 to 27.57' Rt.50+14.44 5.65 FEET
12.23' Lt.50+17.92 to 15.24' Rt.50+20.02 27.80 FEET
15.24' Rt.50+20.02 to 14.91' Rt.50+24.72 4.46 FEET
Total 208.41 FEET

Thermoplastic Pavement Marking - Line 24"

0.00' Lt.50+24.11 to 11.50' Lt.50+24.11 11.50 FEET
Total 11.5 FEET

Connection to Existing Manhole

2.39' Lt.51+77.14 1.00 EACH
Total 1 EACH

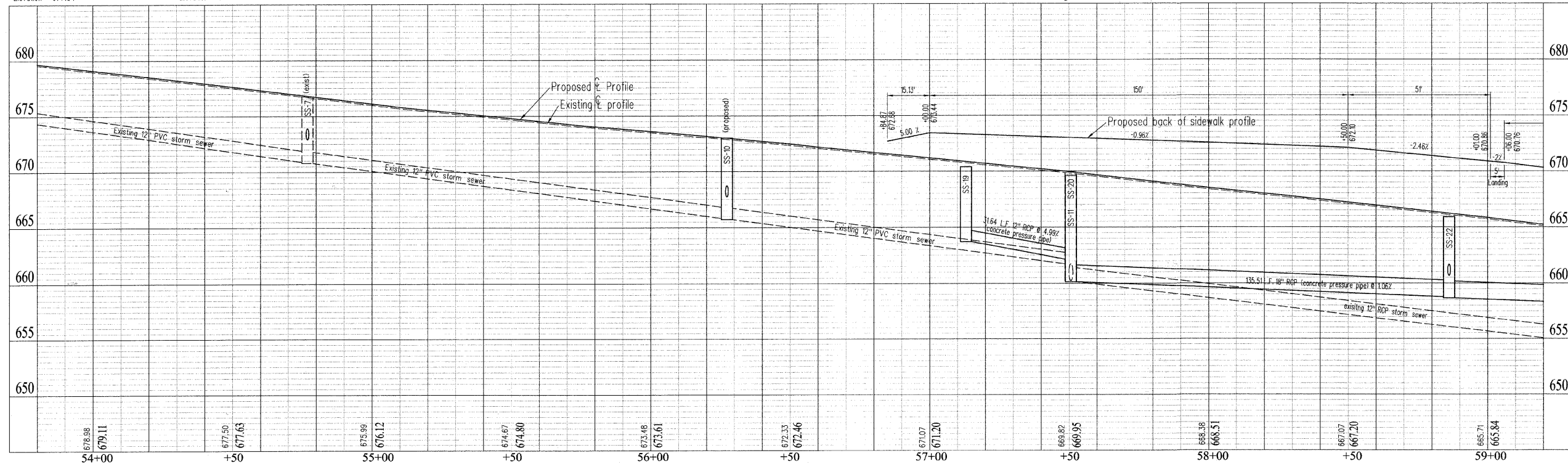


Benchmark #2
NW corner of lightpole base at 917 4th Street
Elevation - 677.54

Benchmark #3
NW corner sidewalk (top step) at 851 4th Street
Elevation - 668.97

- Surface Removal, 2 1/2"
- PCC Driveway Pavement
- Detectable Warning
- Pavement Patch
- Incidental Hot Mix Asphalt Surfacing
- Aggregate Surface

See sheets 50-53 for waterline notes



SCALE	DATE	BY
DRAWN	DATE	BY
CHECKED	DATE	BY
APPROVED	DATE	BY
REVISID	DATE	BY

Plan: 1" = 20'
Profile: 1" = 20'
Horizontal: 1" = 20'
Vertical: 1" = 2'

4th Street

Plan and Profile

Tree Removal (6 to 15 Units Diameter)

19.11' Rt.55+93.36 12.00 UNITS
20.73' Rt.55+95.51 14.00 UNITS
18.20' Rt.58+10.28 15.00 UNITS
Total 41 UNITS

Tree Removal (Over 15 Units Diameter)

15.57' Rt.54+22.93 26.00 UNITS
32.18' Lt.58+59.36 16.00 UNITS
Total 42 UNITS

Trench Backfill

12.50' Lt.54+76.89 to 1.68' Lt.54+76.89 5.90 CY
12.50' Rt.54+76.89 to 1.68' Lt.54+76.89 6.20 CY
22.29' Rt.56+12.52 to 0.31' Rt.56+27.30 21.20 CY
12.50' Lt.56+27.30 to 0.31' Rt.56+27.30 9.80 CY
12.50' Rt.57+19.03 to 13.50' Rt.57+50.67 37.10 CY
13.50' Rt.57+50.67 to 13.50' Rt.58+86.18 178.60 CY
12.50' Lt.58+86.18 to 13.50' Rt.58+86.18 13.10 CY
13.50' Rt.58+86.18 to 13.50' Rt.59+00.00 24.00 CY
Total 295.9 CY

Sub-Base Granular Material, Type B 4"

12.58' Lt.54+00.00 to 12.38' Lt.56+27.30 98.61 SY
12.09' Rt.54+00.00 to 12.26' Rt.57+19.06 155.69 SY
10.00' Lt.56+59.48 to 33.00' Lt.56+59.58 103.83 SY
12.37' Lt.56+91.28 to 12.06' Lt.59+00.00 103.01 SY
10.00' Rt.57+49.29 to 33.76' Rt.57+49.31 90.12 SY
12.30' Rt.57+79.54 to 12.41' Rt.59+00.00 57.53 SY
Total 608.79 SY

Aggregate Base Course, Type B 6"

19.50' Rt.54+47.37 to 32.90' Rt.54+47.37 17.86 SY
19.50' Rt.55+11.02 to 29.00' Rt.55+11.02 63.23 SY
19.50' Rt.55+75.88 to 29.00' Rt.55+75.88 14.19 SY
19.50' Rt.58+64.44 to 22.00' Rt.58+64.44 5.72 SY
Total 101 SY

Aggregate Base Course, Type B 8"

33.00' Lt.56+59.40 to 53.00' Lt.56+59.40 50.03 SY
Total 50.03 SY

Portland Cement Concrete Base Course 7"

13.00' Lt.56+59.50 to 33.00' Lt.56+59.58 65.32 SY
13.00' Rt.57+50.22 to 33.73' Rt.57+50.75 59.15 SY
Total 124.47 SY

Portland Cement Concrete Base Course Widening 7"

11.00' Lt.54+00.00 to 11.00' Lt.56+27.30 50.51 SY
11.00' Rt.54+00.00 to 11.00' Rt.57+19.03 70.90 SY
11.00' Lt.56+27.30 to 11.00' Lt.56+91.30 19.13 SY
11.00' Lt.56+91.30 to 11.00' Lt.59+00.00 46.38 SY
11.00' Rt.57+19.03 to 11.00' Rt.57+79.56 19.15 SY
11.00' Rt.57+79.56 to 11.00' Rt.59+00.00 26.76 SY
Total 232.83 SY

Aggregate Surface Course, Type B

19.50' Rt.56+52.91 to 29.00' Rt.56+52.91 7.70 TONS
Total 7.70 TONS

Bituminous Materials (Prime Coat)

19.50' Rt.54+47.37 to 32.90' Rt.54+47.37 8.93 GAL
19.50' Rt.55+11.02 to 29.00' Rt.55+11.02 31.62 GAL
19.50' Rt.55+75.88 to 29.00' Rt.55+75.88 7.10 GAL
33.00' Lt.56+59.40 to 53.00' Lt.56+59.40 25.02 GAL
19.50' Rt.59+64.44 to 22.00' Rt.59+64.44 2.86 GAL
Total 75.53 GAL

Aggregate (Prime Coat)

19.50' Rt.54+47.37 to 32.90' Rt.54+47.37 0.05 TONS
19.50' Rt.55+11.02 to 29.00' Rt.55+11.02 0.19 TONS
19.50' Rt.55+75.88 to 29.00' Rt.55+75.88 0.04 TONS
33.00' Lt.56+59.40 to 53.00' Lt.56+59.40 0.15 TONS
19.50' Rt.59+64.44 to 22.00' Rt.59+64.44 0.02 TONS
Total 0.45 TONS

Incidental Hot-Mix Asphalt Surfacing

19.50' Rt.54+47.37 to 32.90' Rt.54+47.37 3.00 TONS
19.50' Rt.55+11.02 to 29.00' Rt.55+11.02 10.62 TONS
19.50' Rt.55+75.88 to 29.00' Rt.55+75.88 2.39 TONS
33.00' Lt.56+59.44 to 53.00' Lt.56+59.44 8.41 TONS
19.50' Rt.58+64.40 to 22.00' Rt.58+64.40 0.96 TONS
Total 25.38 TONS

Portland Cement Concrete Driveway Pavement, 6 Inch

13.50' Lt.54+12.98 to 23.50' Lt.54+12.98 19.94 SY
13.50' Lt.54+46.23 to 27.65' Lt.54+46.23 22.09 SY
13.50' Rt.54+47.37 to 19.50' Rt.54+47.37 11.06 SY
13.50' Rt.55+11.02 to 19.50' Rt.55+11.02 17.78 SY
13.50' Rt.55+75.88 to 19.50' Rt.55+75.88 11.73 SY
13.50' Rt.56+52.91 to 19.50' Rt.56+52.91 16.39 SY
13.50' Rt.58+64.40 to 19.50' Rt.58+64.40 22.11 SY
Total 121.1 SY

Portland Cement Concrete Sidewalk 4 Inch

21.50' Lt.54+00.00 to 21.50' Lt.54+05.37 21.20 SF
17.50' Rt.54+00.00 to 17.50' Rt.54+39.72 158.41 SF
21.50' Lt.54+20.66 to 21.50' Lt.54+40.12 77.53 SF
21.50' Lt.54+52.35 to 21.50' Lt.56+43.05 762.27 SF
17.50' Rt.54+55.02 to 17.50' Rt.54+98.33 172.31 SF
23.50' Lt.54+71.91 to 27.50' Lt.54+71.91 15.23 SF
17.50' Rt.55+23.71 to 17.50' Rt.55+67.73 175.14 SF
17.50' Rt.55+84.03 to 17.50' Rt.56+41.26 227.99 SF
23.50' Lt.55+92.03 to 25.50' Lt.55+92.03 7.38 SF
17.50' Rt.56+64.56 to 17.50' Rt.57+30.87 264.11 SF
20.00' Lt.56+76.77 to 20.00' Lt.59+00.00 1043.79 SF
32.00' Lt.57+03.15 to 41.47' Lt.57+03.15 37.88 SF
33.44' Rt.57+62.06 to 17.50' Rt.57+71.45 77.98 SF
37.00' Lt.57+69.78 to 42.70' Lt.57+69.78 22.80 SF
17.50' Rt.57+71.45 to 17.50' Rt.58+52.75 324.75 SF
19.50' Rt.57+98.98 to 29.50' Rt.57+98.98 32.94 SF
40.75' Lt.58+45.96 to 48.28' Lt.58+45.96 30.12 SF
17.50' Rt.58+76.05 to 17.50' Rt.59+00.00 95.34 SF
Total 3547.17 SF

Detectable Warnings

21.39' Lt.56+41.70 10.33 SF
22.15' Lt.56+76.32 9.96 SF
17.78' Rt.57+29.55 10.93 SF
18.07' Rt.57+68.63 12.92 SF
Total 44.14 SF

Pavement Removal

11.81' Lt.56+59.44 to 53.00' Lt.56+59.44 101.10 SY
11.61' Rt.57+48.72 to 33.76' Rt.57+49.29 55.95 SY
Total 157.05 SY

Driveway Pavement Removal

Lt.54+46.23 14.04 SY
Rt.54+47.37 21.61 SY
Rt.55+11.02 88.88 SY
Rt.55+75.88 20.43 SY
Rt.58+64.40 43.60 SY
Total 188.56 SY

Combination Curb and Gutter Removal

12.16' Lt.54+00.00 to 11.75' Lt.56+45.09 245.10 FEET
11.18' Rt.56+00.00 to 11.67' Rt.57+32.62 332.64 FEET
11.75' Lt.56+45.09 to 23.99' Lt.56+48.46 13.66 FEET
11.88' Lt.56+75.57 to 11.12' Lt.59+00.00 224.43 FEET
11.67' Rt.57+32.62 to 23.62' Rt.47+36.75 13.97 FEET
16.82' Rt.57+59.47 to 11.54' Rt.57+65.75 8.82 FEET
33.49' Rt.57+59.93 to 16.82' Rt.57+59.47 16.68 FEET
11.54' Rt.57+65.75 to 11.81' Rt.59+00.00 134.25 FEET
Total 989.55 FEET

Sidewalk Removal

21.51' Lt.54+00.00 to 21.64' Lt.56+48.05 1052.61 SF
12.69' Lt.54+14.01 to 19.43' Lt.54+14.01 21.13 SF
23.56' Lt.54+14.01 to 25.50' Lt.54+14.01 6.98 SF
23.67' Lt.54+71.94 to 27.50' Lt.54+71.94 14.62 SF
23.07' Lt.55+92.05 to 25.50' Lt.55+92.05 8.95 SF
12.32' Lt.55+92.75 to 19.14' Lt.55+92.75 23.55 SF
19.88' Lt.56+81.29 to 18.00' Lt.59+00.00 820.06 SF
30.07' Lt.57+03.14 to 41.47' Lt.57+03.14 44.18 SF
14.23' Rt.57+61.28 to 33.44' Rt.57+61.90 54.56 SF
36.39' Lt.57+69.69 to 42.70' Lt.57+69.69 24.38 SF
11.99' Rt.57+99.03 to 29.50' Rt.57+99.03 57.70 SF
23.71' Rt.58+42.56 to 27.50' Rt.58+42.56 15.16 SF
42.78' Lt.58+45.57 to 48.28' Lt.58+43.96 13.09 SF
Total 2156.97 SF

Class C Patches, Type I

12.00' Lt.54+76.89 to 1.68' Lt.54+76.89 3.44 SY
12.00' Rt.54+76.89 to 1.68' Lt.54+76.89 4.56 SY
11.62' Rt.56+19.70 to 0.31' Rt.56+27.30 4.54 SY
11.77' Lt.56+27.30 to 0.31' Rt.54+27.30 4.03 SY
Total 16.57 SY

Class C Patches, Type II

11.19' Lt.58+86.18 to 11.90' Rt.58+86.18 7.70 SY
Total 7.7 SY

Steel Railing (Special)

17.83' Lt.56+84.84 to 17.83' Lt.59+00.00 215.16 FEET
22.50' Lt.57+01.39 to 31.50' Lt.57+01.39 9.00 FEET
22.50' Lt.57+04.89 to 31.50' Lt.57+04.89 9.00 FEET
22.50' Lt.57+68.03 to 36.50' Lt.57+68.03 14.00 FEET
22.50' Lt.57+71.53 to 36.50' Lt.57+71.53 14.00 FEET
20.00' Rt.58+40.79 to 27.00' Rt.58+40.79 7.00 FEET
22.50' Lt.58+44.21 to 40.25' Lt.58+44.21 17.75 FEET
20.00' Rt.58+44.29 to 27.00' Rt.58+44.29 7.00 FEET
22.50' Lt.58+47.71 to 40.25' Lt.58+47.71 17.75 FEET
Total 310.66 FEET

Storm Sewers, Class A, Type 1 12"

12.50' Lt.54+76.89 to 1.68' Lt.54+76.89 10.82 FEET
12.50' Rt.54+76.89 to 1.68' Lt.54+76.89 14.17 FEET
46.57' Rt.55+96.20 to 19.04' Rt.56+14.71 33.18 FEET
12.50' Lt.58+86.18 to 7.57' Lt.58+86.18 4.93 FEET
Total 63.1 FEET

Storm Sewers, Class A, Type 2 12"

19.04' Rt.56+14.71 to 0.31' Rt.56+27.30 22.56 FEET
12.50' Lt.56+27.30 to 0.31' Rt.56+27.30 12.81 FEET
12.50' Rt.57+19.03 to 13.50' Rt.57+50.67 31.64 FEET
7.57' Lt.58+86.18 to 13.50' Rt.58+86.18 21.07 FEET
Total 88.08 FEET

Storm Sewers, Class A, Type 2 18"

13.50' Rt.57+50.67 to 13.50' Rt.58+86.18 135.51 FEET
13.50' Rt.58+86.18 to 13.50' Rt.59+00.00 13.82 FEET
Total 149.33 FEET

Manholes, Type A, 4' - Diameter, Type 1 Frame, Closed Lid

0.31' Rt.56+27.30 1.00 EACH
13.50' Rt.57+50.67 1.00 EACH
Total 2 EACH

Manholes, Type A, 4' - Diameter, Type 11 Frame and Grate

13.50' Rt.58+86.18 1.00 EACH
Total 1 EACH

Inlets, Type A, Type 11 Frame and Grate

12.50' Lt.54+76.89 1.00 EACH
12.50' Rt.54+76.89 1.00 EACH
12.50' Lt.56+27.30 1.00 EACH
12.50' Rt.57+19.03 1.00 EACH
12.50' Lt.58+86.18 1.00 EACH
Total 5 EACH

Inlets, Type A, With Salvaged Grate

46.57' Rt.55+96.20 1.00 EACH
Total 1 EACH

Manholes To Be Adjusted

1.68' Lt.54+76.89 1.00 EACH
1.94' Rt.57+50.55 1.00 EACH
5.58' Rt.57+54.88 1.00 EACH
Total 3 EACH

Valve Boxes To Be Removed

14.77' Lt.57+33.92 1.00 EACH
Total 1 EACH

Removing Inlets

13.44' Rt.57+35.44 1.00 EACH
11.77' Lt.57+43.95 1.00 EACH
Total 2 EACH

Concrete Curb, Type B

29.00' Rt.54+79.16 to 19.75' Rt.54+99.43 29.52 FEET
19.75' Rt.55+22.61 to 29.00' Rt.55+41.62 28.27 FEET
22.25' Lt.57+05.14 to 22.25' Lt.57+25.14 20.00 FEET
Total 77.79 FEET

Combination Concrete Curb and Gutter, Type B-6.12

13.00' Lt.54+00.00 to 13.00' Lt.56+27.30 227.30 FEET
13.24' Rt.54+00.00 to 13.00' Rt.57+19.03 319.03 FEET
13.00' Lt.56+27.30 to 33.08' Lt.56+47.30 31.50 FEET
32.92' Lt.56+71.30 to 13.00' Lt.56+91.30 31.33 FEET
13.00' Lt.56+91.30 to 13.00' Lt.59+00.00 207.70 FEET
13.00' Rt.57+19.03 to 34.02' Rt.57+39.07 32.43 FEET
33.50' Rt.57+59.56 to 13.00' Rt.57+79.56 31.92 FEET
13.00' Rt.57+79.56 to 13.00' Rt.59+00.00 120.44 FEET
Total 1001.65 FEET

Thermoplastic Pavement Marking - Line 4"

11.67' Lt.54+00.00 to 11.67' Lt.56+27.30 227.30 FEET
11.67' Rt.54+00.00 to 11.67' Rt.57+19.03 319.03 FEET
0.00' Rt.54+00.00 to 0.00' Rt.59+00.00 125.00 FEET
11.67' Lt.56+91.30 to 11.67' Lt.59+00.00 208.70 FEET
11.67' Rt.57+79.56 to 11.67' Rt.59+00.00 120.44 FEET
Total 1000.47 FEET

Segmental Concrete Block Wall

16.50' Lt.56+84.83 to 16.50' Lt.59+00.00 825.00 SF
Total 825 SF

CSI CONSOLIDATED SERVICES INC.
of Coles County

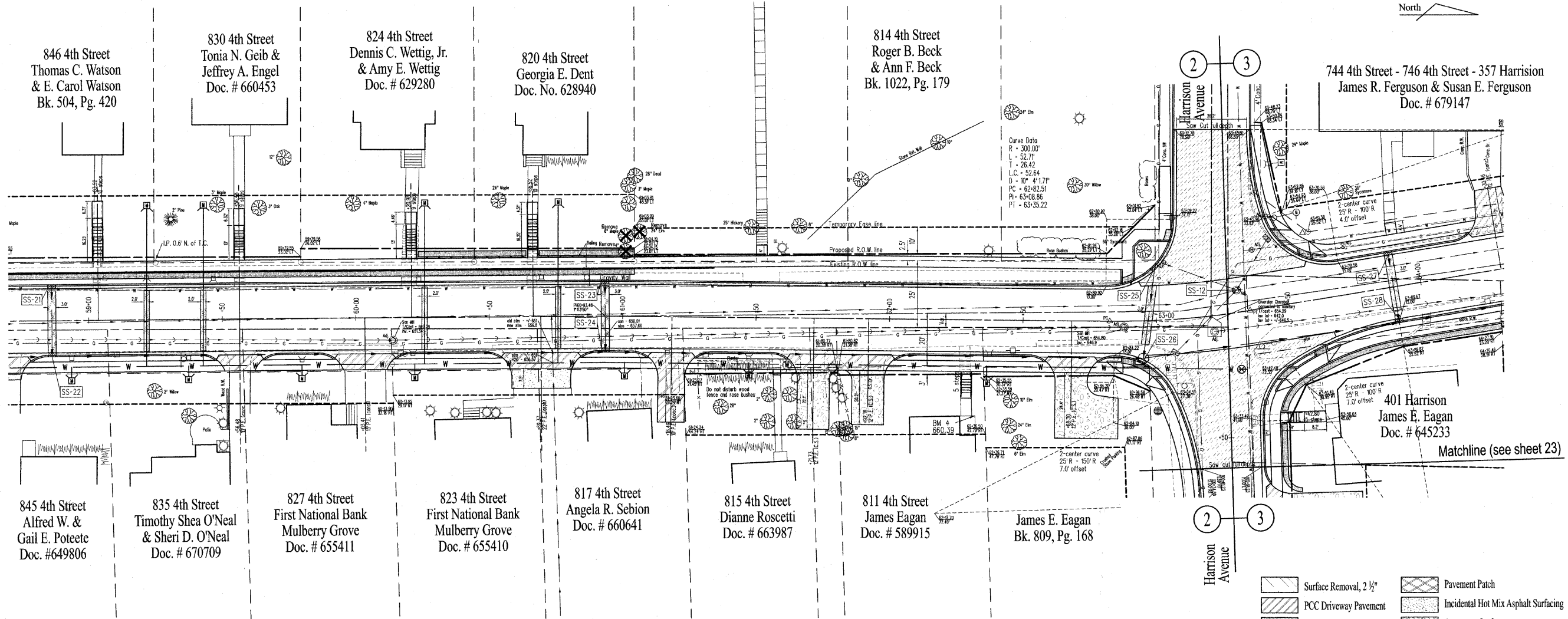
ENGINEERING - SURVEYING - CONSTRUCTION MANAGEMENT
520 Jackson Avenue - P.O. Box 644 - Charleston, Illinois - 61920 - (217) 346-9511

Table with columns: DRAWN, CHECKED, APPROVED, REVISION, DATE. Includes a vertical label 'DCR'.

Table with columns: SCALES, N/A.

4th Street
Plan and Profile

...Chris Data\3378\3378plans.dgn 12/20/2007 10:22:45 AM

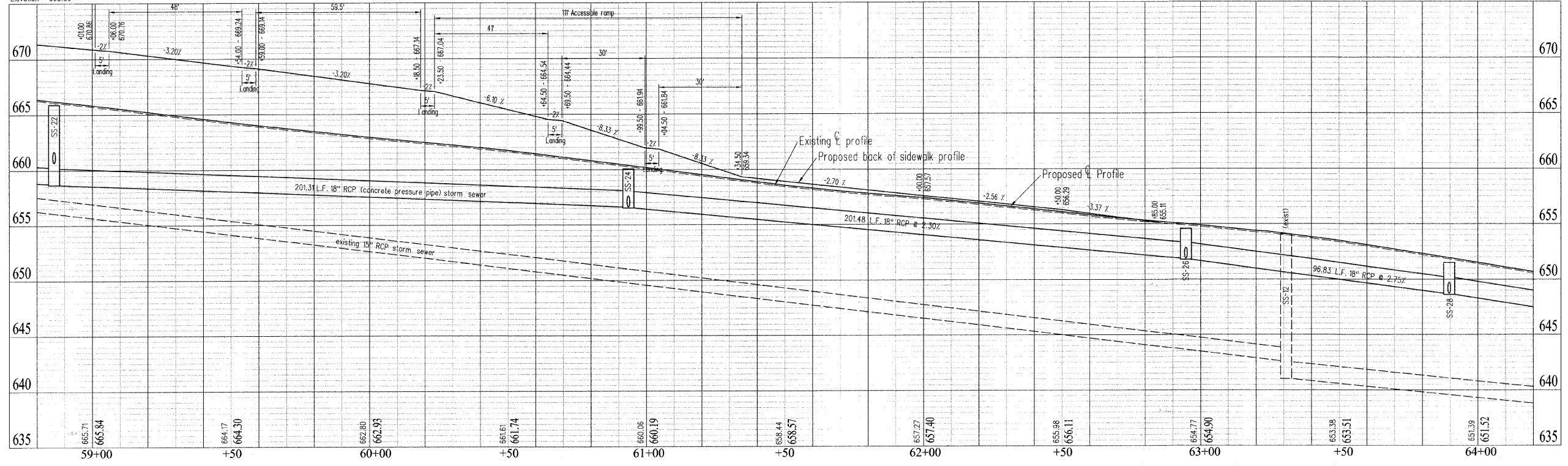


Benchmark *4
NW corner stoop at 811 4th Street
Elevation - 660.39

Curve Data
R = 300.00'
L = 52.71'
T = 28.42'
L.C. = 52.64'
D = 10° 4' 1.71"
PC = 62+82.51
PI = 63+08.86
PT = 63+35.22

- Surface Removal, 2 1/2"
- PCC Driveway Pavement
- Detectable Warning
- Pavement Patch
- Incidental Hot Mix Asphalt Surfacing
- Aggregate Surface

See sheets 50-53 for waterline notes



DRAWN	DATE	DCR

SCALES	CHECKED	DATE
Plan: 1" = 20'		
Profile: 1" = 20'		
Vertical: 1" = 2'		

4th Street

Plan and Profile

Sheet No.
13
of 57 Sheets

DRAWN	DATE	CHECKED	DATE	APPROVED	DATE	REVISID	DATE	
								DSC
SCALES	N/A							

4th Street
 Plan and Profile

Tree Removal (6 to 15 Units Diameter)
30.00' Lt.61+01.00 6.00 UNITS
Total 6 UNITS

Tree Removal (Over 15 Units Diameter)
32.00' Lt.61+06.00 24.00 UNITS
Total 24 UNITS

Trench Backfill
13.50' Rt.59+00.00 to 13.50' Rt.60+93.48 122.00 CY
12.50' Lt.60+93.48 to 13.50' Rt.60+93.48 4.80 CY
13.50' Rt.60+93.48 to 14.11' Rt.62+94.65 36.20 CY
14.11' Rt.62+94.65 to 13.50' Rt.63+89.67 15.30 CY
19.56' Lt.63+00.19 to 14.11' Rt.62+94.65 5.90 CY
13.50' Rt.63+89.67 to 13.50' Rt.64+00.00 7.10 CY
12.50' Lt.63+89.67 to 13.50' Rt.63+89.67 5.20 CY
Total 196.5 CY

Sub-Base Granular Material, Type B 4"
12.06' Lt.59+00.00 to 15.93' Lt.62+93.01 169.36 SY
12.41' Rt.59+00.00 to 12.38' Rt.62+96.05 214.34 SY
13.00' Lt.63+22.04 to 68.87' Lt.63+31.02 245.03 SY
6.70' Rt.63+26.06 to 57.43' Rt.63+21.67 249.08 SY
15.90' Lt.63+59.42 to 13.25' Lt.64+00.00 11.39 SY
12.05' Rt.63+64.74 to 11.07' Rt.64+00.00 31.48 SY
Total 920.68 SY

Aggregate Base Course, Type B 6"
19.50' Rt.60+69.37 to 27.00' Rt.60+69.37 18.50 SY
Total 18.5 SY

Portland Cement Concrete Base Course 7"
13.00' Lt.63+22.04 to 68.87' Lt.63+31.02 212.65 SY
13.01' Rt.63+25.44 to 57.43' Rt.63+21.67 174.66 SY
Total 387.31 SY

Portland Cement Concrete Base Course Widening 7"
11.00' Lt.59+00.00 to 12.00' Lt.61+94.75 60.14 SY
11.15' Rt.59+00.00 to 13.01' Rt.63+07.93 104.52 SY
6.70' Rt.63+26.06 to 13.01' Rt.63+25.44 44.62 SY
13.01' Rt.63+34.25 to 9.82' Rt.64+00.00 41.23 SY
Total 250.51 SY

Aggregate Surface Course, Type B
19.50' Rt.61+71.73 to 41.62' Rt.61+71.73 10.86 TONS
19.50' Rt.61+92.18 to 39.69' Rt.61+92.18 9.93 TONS
19.50' Rt.62+68.30 to 43.94' Rt.62+68.30 19.48 TONS
Total 40.27 TONS

Bituminous Materials (Prime Coat)
19.50' Rt.60+69.37 to 27.00' Rt.60+69.37 9.25 GAL
Total 9.25 GAL

Aggregate (Prime Coat)
19.50' Rt.60+69.37 to 27.00' Rt.60+69.37 0.06 TONS
Total 0.06 TONS

Incidental Hot-Mix Asphalt Surfacing
19.50' Rt.60+69.37 to 27.00' Rt.60+69.37 3.11 TONS
Total 3.11 TONS

Portland Cement Concrete Driveway Pavement, 6 Inch
13.50' Rt.59+56.48 to 19.50' Rt.59+56.48 9.73 SY
13.50' Rt.60+03.41 to 19.50' Rt.60+03.41 13.06 SY
13.50' Rt.60+69.37 to 19.50' Rt.60+69.37 17.73 SY
13.50' Rt.61+18.49 to 39.50' Rt.61+18.49 32.10 SY
13.50' Rt.61+71.73 to 19.50' Rt.61+71.73 12.35 SY
13.50' Rt.61+92.18 to 19.50' Rt.61+92.18 12.35 SY
13.50' Rt.62+68.30 to 19.50' Rt.62+68.30 11.06 SY
Total 108.38 SY

Portland Cement Concrete Sidewalk 4 Inch
20.00' Lt.59+00.00 to 21.47' Lt.62+87.24 1777.28 SF
17.50' Rt.59+00.00 to 17.50' Rt.59+49.83 198.85 SF
38.25' Lt.59+03.52 to 44.56' Lt.59+03.52 25.24 SF
35.00' Lt.59+56.48 to 41.32' Lt.59+56.48 25.28 SF
17.50' Rt.59+63.13 to 17.50' Rt.59+94.26 123.59 SF
17.50' Rt.60+12.56 to 17.50' Rt.60+56.72 175.73 SF
35.00' Lt.60+20.98 to 39.46' Lt.60+20.98 17.84 SF
38.25' Lt.60+66.52 to 42.76' Lt.60+66.52 18.04 SF
17.50' Rt.60+82.02 to 17.50' Rt.61+06.46 117.04 SF
17.50' Rt.61+25.14 to 17.50' Rt.61+64.08 154.82 SF
23.09' Lt.61+51.92 to 27.13' Lt.61+51.86 16.15 SF
19.50' Rt.61+58.03 to 21.50' Rt.61+58.03 5.57 SF
17.50' Rt.61+99.83 to 17.50' Rt.62+60.65 242.35 SF
17.50' Rt.62+75.95 to 56.32' Rt.63+07.04 269.18 SF
14.82' Lt.62+89.40 to 57.18' Lt.63+07.19 241.92 SF
59.26' Rt.63+35.43 to 17.50' Rt.64+00.00 392.55 SF
67.73' Lt.63+48.51 to 17.50' Lt.63+70.56 280.04 SF
42.67' Rt.63+48.76 to 43.75' Rt.63+56.82 32.52 SF
17.50' Lt.63+70.56 to 17.50' Lt.64+00.00 117.74 SF
19.50' Lt.63+92.19 to 23.96' Lt.63+92.19 17.87 SF
Total 4249.6 SF

Detectable Warnings
15.19' Rt.62+89.28 8.26 SF
15.87' Lt.62+89.41 8.49 SF
19.09' Rt.62+96.84 14.52 SF
31.65' Lt.63+06.30 8.26 SF
25.45' Rt.63+45.00 11.72 SF
25.99' Lt.63+50.36 10.57 SF
17.55' Lt.63+58.98 9.23 SF
19.40' Rt.63+58.98 8.42 SF
Total 79.47 SF

Pavement Removal
15.66' Lt.63+22.39 to 68.87' Lt.63+31.02 200.40 SY
6.70' Rt.63+26.06 to 57.43' Rt.63+21.67 133.20 SY
Total 333.6 SY

Driveway Pavement Removal
Rt.59+56.48 6.96 SY
Rt.60+03.41 14.46 SY
Rt.60+69.37 37.26 SY
Rt.61+15.49 8.59 SY
Rt.61+71.73 12.96 SY
Total 80.23 SY

Combination Curb and Gutter Removal
11.12' Lt.59+00.00 to 14.82' Lt.62+85.65 385.90 FEET
11.81' Rt.59+00.00 to 11.73' Rt.59+89.14 89.14 FEET
11.73' Rt.59+89.14 to 12.11' Rt.60+17.91 28.77 FEET
12.11' Rt.60+17.91 to 12.01' Rt.60+51.04 33.13 FEET
12.01' Rt.60+51.04 to 12.05' Rt.60+84.96 33.91 FEET
12.05' Rt.60+84.96 to 9.27' Rt.62+55.14 169.98 FEET
9.27' Rt.62+55.14 to 8.58' Rt.62+93.12 38.25 FEET
14.82' Lt.62+85.65 to 33.85' Lt.63+08.95 31.52 FEET
8.58' Rt.62+93.12 to 30.70' Rt.63+12.35 33.73 FEET
33.85' Lt.63+08.95 to 70.56' Lt.63+12.78 36.85 FEET
30.70' Rt.63+12.35 to 56.55' Rt.63+11.20 25.88 FEET
58.17' Rt.63+27.90 to 15.73' Rt.63+34.07 43.02 FEET
15.73' Rt.63+34.07 to 7.84' Rt.63+48.01 17.19 FEET
45.98' Lt.63+42.38 to 15.19' Lt.63+65.48 43.35 FEET
66.59' Lt.63+45.91 to 45.98' Lt.63+42.38 20.91 FEET
7.84' Rt.63+48.01 to 9.14' Rt.64+00.00 52.01 FEET
15.19' Lt.63+65.48 to 14.58' Lt.64+00.00 34.53 FEET
Total 1118.07 FEET

Sidewalk Removal
18.00' Lt.59+00.00 to 20.01' Lt.62+96.99 1462.72 SF
34.57' Lt.59+03.57 to 44.56' Lt.59+03.57 26.83 SF
32.47' Lt.59+56.67 to 41.32' Lt.59+56.67 35.42 SF
32.56' Lt.60+20.95 to 39.46' Lt.60+20.95 34.99 SF
35.48' Lt.60+66.61 to 42.76' Lt.60+66.61 27.93 SF
13.30' Lt.61+51.93 to 16.83' Lt.61+51.75 48.79 SF
20.61' Lt.61+51.96 to 27.29' Lt.61+51.86 27.36 SF
11.55' Rt.61+57.88 to 21.07' Rt.61+58.01 31.83 SF
9.88' Rt.62+28.29 to 14.84' Rt.62+28.47 19.52 SF
19.84' Rt.62+28.64 to 29.50' Rt.62+28.98 38.26 SF
17.96' Lt.62+96.53 to 57.19' Lt.63+07.03 154.22 SF
12.62' Rt.63+04.30 to 56.21' Rt.63+04.48 165.93 SF
41.31' Rt.63+32.68 to 43.42' Rt.63+56.82 80.99 SF
66.73' Lt.63+48.51 to 20.11' Lt.63+59.33 213.06 SF
33.88' Rt.63+55.12 to 41.71' Rt.63+54.45 23.56 SF
20.11' Lt.63+59.33 to 19.24' Lt.64+00.00 161.29 SF
21.36' Lt.63+92.07 to 23.96' Lt.63+92.19 10.34 SF
Total 2563.04 SF

Class C Patches, Type II
11.37' Lt.60+93.48 to 12.00' Rt.60+93.48 7.79 SY
13.00' Lt.62+99.01 to 12.77' Rt.62+94.85 8.70 SY
14.76' Lt.63+89.67 to 8.89' Rt.63+89.67 7.88 SY
Total 24.37 SY

Concrete Retaining Wall Removal
22.01' Rt.63+85.18 to 16.65' Rt.64+00.00 17.30 FEET
Total 17.3 FEET

Saw Cuts
56.52' Rt.63+10.78 to 58.22' Rt.63+28.32 20.95 FEET
70.60' Lt.63+12.14 to 66.50' Lt.63+46.40 29.21 FEET
Total 50.16 FEET

Steel Railing (Special)
17.83' Lt.59+00.00 to 18.59' Lt.61+34.14 234.48 FEET
22.50' Lt.59+01.77 to 37.75' Lt.59+01.77 15.25 FEET
22.50' Lt.59+05.27 to 37.75' Lt.59+05.27 15.25 FEET
22.50' Lt.59+54.73 to 34.50' Lt.59+54.73 12.00 FEET
22.50' Lt.59+58.23 to 34.50' Lt.59+58.23 12.00 FEET
22.50' Lt.60+19.23 to 34.50' Lt.60+19.23 12.00 FEET
22.50' Lt.60+22.73 to 34.50' Lt.60+22.73 12.00 FEET
22.17' Lt.60+23.48 to 22.17' Lt.60+64.02 40.54 FEET
22.50' Lt.60+64.77 to 37.75' Lt.60+64.77 15.25 FEET
22.50' Lt.60+68.27 to 37.75' Lt.60+68.27 15.25 FEET
22.17' Lt.60+69.02 to 22.92' Lt.61+34.08 65.48 FEET
20.00' Rt.62+27.24 to 29.00' Rt.62+27.24 9.00 FEET
20.00' Rt.62+30.74 to 29.00' Rt.62+30.74 9.00 FEET
43.28' Rt.63+40.10 to 44.34' Rt.63+48.03 8.00 FEET
39.81' Rt.63+40.57 to 40.87' Rt.63+48.50 8.00 FEET
Total 483.5 FEET

Storm Sewers, Class A, Type 12"
12.50' Lt.60+93.48 to 13.50' Rt.60+93.48 26.00 FEET
19.56' Lt.63+00.20 to 14.11' Rt.62+94.65 34.12 FEET
12.50' Lt.63+89.67 to 13.50' Rt.63+89.67 26.00 FEET
Total 86.12 FEET

Storm Sewers, Class A, Type 18"
13.50' Rt.60+24.66 to 13.50' Rt.60+93.48 68.82 FEET
13.50' Rt.60+93.48 to 14.11' Rt.62+94.65 201.48 FEET
14.11' Rt.62+94.65 to 13.50' Rt.63+89.67 96.83 FEET
13.50' Rt.63+89.67 to 13.50' Rt.64+00.00 10.33 FEET
Total 377.46 FEET

Storm Sewers, Class A, Type 24"
13.50' Rt.59+00.00 to 13.50' Rt.60+24.66 124.66 FEET
Total 124.66 FEET

Water Valves To Be Adjusted
22.28' Lt.63+39.51 1.00 EACH
33.68' Lt.63+46.44 1.00 EACH
Total 2 EACH

Water Service Line 3/4"
34.96' Rt.63+35.66 11.00 FEET
52.87' Lt.63+50.67 5.00 FEET
Total 16 FEET

Fire Hydrants To Be Moved
32.75' Lt.63+49.70 1.00 EACH
Total 1 EACH

Domestic Meter Vaults To Be Moved
34.96' Rt.63+35.66 1.00 EACH
52.87' Lt.63+50.67 1.00 EACH
Total 2 EACH

Manholes, Type A, 4' Diameter, Type 11 Frame and Grate
13.50' Rt.60+93.48 1.00 EACH
14.11' Rt.62+94.65 1.00 EACH
13.50' Rt.63+89.67 1.00 EACH
Total 3 EACH

Inlets, Type A, Type 11 Frame and Grate
12.50' Lt.60+93.48 1.00 EACH
19.56' Lt.63+00.20 1.00 EACH
12.50' Lt.63+89.67 1.00 EACH
Total 3 EACH

Manholes To Be Adjusted
8.41' Rt.60+13.97 1.00 EACH
2.13' Rt.62+87.88 1.00 EACH
34.05' Rt.62+99.02 1.00 EACH
5.90' Rt.63+21.08 1.00 EACH
8.31' Lt.63+31.35 1.00 EACH
Total 5 EACH

Removing Inlets
34.05' Rt.62+99.02 1.00 EACH
21.47' Lt.63+02.77 1.00 EACH
13.03' Rt.63+05.87 1.00 EACH
25.97' Lt.63+46.37 1.00 EACH
Total 4 EACH

Combination Concrete Curb and Gutter, Type B-6.12
13.00' Lt.59+00.00 to 13.00' Lt.62+80.92 381.16 FEET
13.00' Rt.59+00.00 to 13.01' Rt.62+84.22 384.05 FEET
13.00' Lt.62+80.92 to 37.17' Lt.63+09.27 39.49 FEET
13.01' Rt.62+84.22 to 56.53' Rt.63+10.86 57.46 FEET
37.17' Lt.63+09.27 to 70.56' Lt.63+12.78 33.51 FEET
58.69' Rt.63+31.67 to 13.00' Rt.63+89.67 85.74 FEET
66.59' Lt.63+45.91 to 13.00' Lt.63+70.56 67.99 FEET
13.00' Lt.63+70.56 to 13.00' Lt.64+00.00 29.44 FEET
13.00' Rt.63+89.67 to 13.00' Rt.64+00.00 10.33 FEET
Total 1089.17 FEET

Thermoplastic Pavement Marking - Line 4"
11.67' Lt.59+00.00 to 11.67' Lt.62+80.92 381.14 FEET
11.67' Rt.59+00.00 to 11.67' Rt.62+84.23 384.08 FEET
0.00' Rt.59+00.00 to 0.00' Rt.64+00.00 125.00 FEET
41.51' Rt.63+32.33 to 58.53' Rt.63+30.56 17.14 FEET
11.67' Lt.63+70.56 to 11.67' Rt.64+00.00 29.44 FEET
11.67' Rt.63+89.67 to 11.67' Rt.64+00.00 10.33 FEET
Total 947.13 FEET

Thermoplastic Pavement Marking - Line 6"
12.45' Lt.62+86.00 to 12.10' Rt.62+86.17 24.56 FEET
14.46' Lt.62+92.82 to 13.61' Rt.62+92.39 28.08 FEET
15.82' Rt.62+96.54 to 22.23' Rt.63+45.49 51.67 FEET
22.74' Rt.63+03.22 to 27.63' Rt.63+38.69 38.42 FEET
28.29' Lt.63+07.82 to 22.85' Lt.63+49.43 39.57 FEET
34.65' Lt.63+10.04 to 30.06' Lt.63+45.81 33.30 FEET
16.65' Lt.63+55.73 to 17.87' Rt.63+55.73 34.52 FEET
13.37' Lt.63+62.23 to 15.80' Rt.63+62.23 29.17 FEET
Total 279.29 FEET

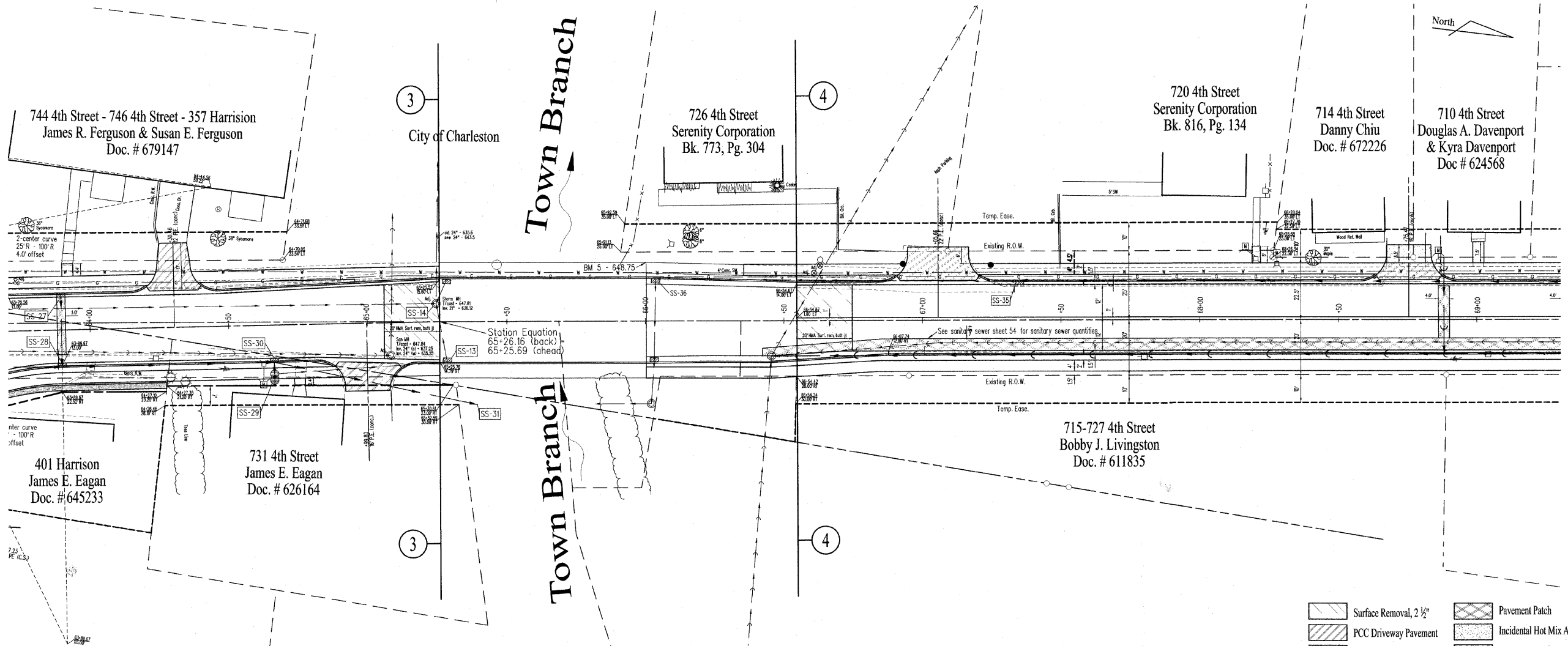
Thermoplastic Pavement Marking - Line 24"
39.88' Lt.63+10.48 to 38.44' Lt.63+25.65 13.10 FEET
30.36' Rt.63+23.85 to 32.36' Rt.63+35.34 12.83 FEET
Total 25.93 FEET

Gas Valve To Be Adjusted
18.17' Lt.63+73.34 1.00 EACH
Total 1 EACH

Segmental Concrete Block Wall
16.50' Lt.59+00.00 to 16.50' Lt.61+04.53 865.00 SF
23.67' Lt.60+23.54 to 23.67' Lt.60+63.95 92.00 SF
23.67' Lt.60+68.95 to 23.67' Lt.61+04.56 88.00 SF
45.65' Rt.63+47.35 to 59.73' Rt.63+38.90 59.00 SF
39.20' Rt.63+48.22 to 21.00' Rt.64+00.00 279.00 SF
Total 1383 SF

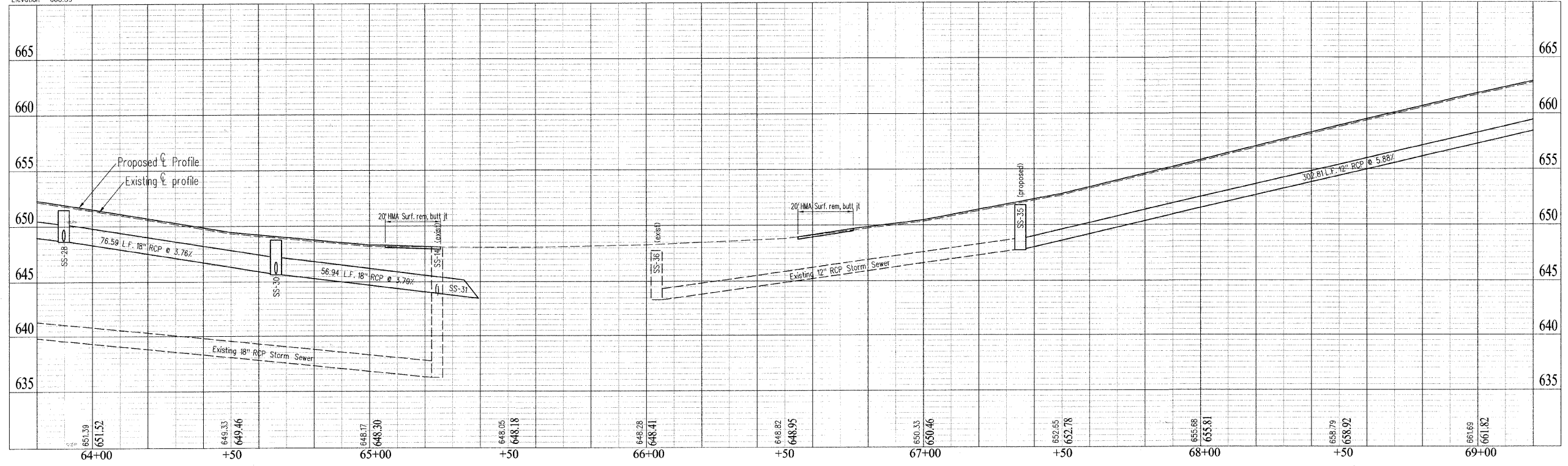
Concrete Steps
22.00' Lt.59+03.52 to 38.25' Lt.59+03.52 1.98 CY
22.00' Lt.59+56.48 to 35.00' Lt.59+56.48 1.62 CY
22.00' Lt.60+20.98 to 35.00' Lt.60+20.98 1.62 CY
22.00' Lt.60+66.52 to 38.25' Lt.60+66.52 2.10 CY
19.50' Rt.62+28.99 to 29.50' Rt.62+28.99 1.12 CY
41.48' Rt.63+39.87 to 42.67' Rt.63+48.76 1.00 CY
Total 9.44 CY

Concrete Removal (special)
11.60' Lt.59+03.09 to 16.13' Lt.59+03.09 13.74 SF
19.87' Lt.59+03.34 to 34.57' Lt.59+03.34 57.75 SF
11.45' Lt.59+56.64 to 16.07' Lt.59+56.64 21.39 SF
19.87' Lt.59+56.66 to 32.47' Lt.59+56.66 55.98 SF
11.86' Lt.60+20.11 to 15.79' Lt.60+20.11 25.08 SF
19.56' Lt.60+20.60 to 33.20' Lt.60+20.60 90.26 SF
11.86' Lt.60+66.14 to 15.84' Lt.60+66.14 15.11 SF
19.48' Lt.60+66.40 to 35.48' Lt.60+66.40 66.68 SF
14.84' Rt.62+28.44 to 19.84' Rt.62+28.64 21.57 SF
41.11' Rt.63+30.20 to 41.31' Rt.63+32.68 14.25 SF
28.46' Rt.63+55.58 to 33.88' Rt.63+55.12 29.73 SF
11.53' Rt.64+00.28 to 16.76' Rt.63+99.48 22.55 SF
Total 434.09 SF



Benchmark *5
North end of sidewalk at base of wall on west side of bridge
Elevation - 660.39

- Surface Removal, 2 1/2"
- PCC Driveway Pavement
- Detectable Warning
- Pavement Patch
- Incidental Hot Mix Asphalt Surfacing
- Aggregate Surface



DRAWN	DCR
DATE	CHECKED
DATE	DATE
DATE	APPROVED
DATE	DATE
DATE	REVISED
DATE	DATE

SCALES
Plan: 1" = 20'
Profile: 1" = 20'
Horizontal: 1" = 20'
Vertical: 1" = 2'

4th Street

Plan and Profile

Sheet No.
15
of 57 Sheets

CSI CONSOLIDATED SERVICES INC.
of Coles County

ENGINEERING - SURVEYING - CONSTRUCTION MANAGEMENT
520 Jackson Avenue - P.O. Box 644 - Charleston, Illinois - 61920 - (217) 345-9511

CSI File # 05378-06-06

DRAWN	DCR
DATE	
CHECKED	
DATE	
APPROVED	
DATE	
REVISED	
DATE	

SCALES	N/A
--------	-----

4th Street
Plan and Profile

Sheet No.
16
of 57 Sheets

Trench Backfill

13.50' Rt.64+00.00 to 13.50' Rt.64+66.25 7.70 CY
20.00' Rt.64+66.25 to 13.50' Rt.64+66.25 4.40 CY
13.50' Rt.64+66.25 to 23.54' Rt.65+10.02 12.10 CY
13.85' Lt.69+00.00 to 14.50' Lt.67+35.00 250.50 CY
Total 274.7 CY

Sub-Base Granular Material, Type B 4"

13.25' Lt.64+00.00 to 15.36' Lt.65+25.62 36.94 SY
11.07' Rt.64+00.00 to 14.54' Rt.65+25.75 70.53 SY
13.75' Lt.66+54.68 to 13.10' Lt.69+00.00 133.12 SY
11.75' Rt.66+87.76 to 11.30' Rt.69+00.00 95.26 SY
Total 335.85 SY

Portland Cement Concrete Base Course Widening 7"

9.82' Rt.64+00.00 to 13.29' Rt.65+25.69 35.53 SY
13.01' Lt.64+77.52 to 14.11' Lt.65+26.16 1.82 SY
12.50' Lt.66+54.68 to 12.00' Lt.69+00.00 56.39 SY
10.50' Rt.66+87.76 to 10.00' Rt.69+00.00 46.26 SY
Total 140 SY

Hot-Mix Asphalt Surface Removal - Butt Joint

0.00' Lt.65+06.17 to 0.00' Lt.65+26.16 55.67 SY
0.00' Lt.66+54.68 to 0.00' Lt.66+74.68 51.21 SY
Total 106.88 SY

Portland Cement Concrete Driveway Pavement, 6 Inch

13.50' Lt.64+30.46 to 30.50' Lt.64+30.46 25.07 SY
14.23' Rt.64+99.80 to 24.47' Rt.64+99.80 21.43 SY
14.50' Lt.67+05.68 to 24.00' Lt.67+05.68 26.44 SY
14.50' Lt.68+75.49 to 20.50' Lt.68+75.49 13.73 SY
Total 86.67 SY

Portland Cement Concrete Sidewalk 4 Inch

17.50' Lt.64+00.00 to 17.50' Lt.64+22.18 90.79 SF
17.50' Rt.64+00.00 to 17.50' Rt.64+90.15 360.15 SF
18.11' Lt.64+37.74 to 18.11' Lt.65+26.43 369.65 SF
19.70' Lt.64+75.37 to 22.71' Lt.64+75.37 11.63 SF
17.50' Rt.65+11.34 to 17.39' Rt.65+25.93 61.55 SF
18.57' Rt.66+00.30 to 16.50' Rt.69+00.00 1198.76 SF
18.50' Lt.66+35.50 to 18.50' Lt.66+93.03 229.62 SF
18.50' Lt.67+18.32 to 18.50' Lt.68+65.84 589.11 SF
20.50' Lt.68+20.43 to 26.50' Lt.68+20.43 18.00 SF
18.50' Lt.68+85.13 to 18.50' Lt.69+00.00 58.99 SF
Total 2988.25 SF

Driveway Pavement Removal

Lt.64+30.46 13.05 SY
Rt.64+99.80 22.01 SY
Lt.67+05.66 35.43 SY
Lt.68+75.47 7.06 SY
Total 77.55 SY

Combination Curb and Gutter Removal

14.58' Lt.64+00.00 to 13.92' Lt.64+45.85 45.83 FEET
9.14' Rt.64+00.00 to 9.81' Rt.64+42.52 42.53 FEET
9.81' Rt.64+42.52 to 14.79' Rt.65+25.75 83.60 FEET
13.92' Lt.64+45.85 to 15.60' Lt.65+25.59 80.57 FEET
14.00' Lt.66+54.68 to 12.18' Lt.67+33.09 78.42 FEET
12.00' Rt.66+87.76 to 11.40' Rt.67+00.73 12.99 FEET
11.40' Rt.67+00.73 to 10.61' Rt.69+00.00 199.27 FEET
12.18' Lt.67+33.08 to 12.21' Lt.69+00.00 166.92 FEET
Total 710.13 FEET

Sidewalk Removal

19.24' Lt.64+00.00 to 19.40' Lt.65+25.63 492.73 SF
12.80' Rt.64+75.99 to 21.78' Rt.64+75.37 34.80 SF
18.44' Lt.66+35.50 to 17.08' Lt.66+89.73 208.07 SF
16.79' Lt.67+20.60 to 17.05' Lt.69+00.00 698.20 SF
24.60' Lt.68+20.38 to 26.50' Lt.68+20.38 4.96 SF
Total 1438.76 SF

Class C Patches, Type II

9.70' Rt.70+37.82 to 10.68' Lt.70+37.82 6.79 SY
Total 6.79 SY

Concrete Retaining Wall Removal

16.65' Rt.64+00.00 to 17.96' Rt.64+22.65 22.69 FEET
Total 22.69 FEET

Precast Reinforced Concrete Flared End Sections 18"

30.00' Rt.65+39.34 1.00 EACH
Total 1 EACH

Storm Sewers, Class A, Type 1 12"

20.00' Rt.64+66.25 to 13.50' Rt.64+66.25 6.50 FEET
Total 6.5 FEET

Storm Sewers, Class A, Type 1 18"

13.50' Rt.64+00.00 to 13.50' Rt.64+66.25 66.26 FEET
13.50' Rt.64+66.25 to 30.00' Rt.65+39.34 56.94 FEET
Total 123.2 FEET

Storm Sewers, Class A, Type 2 12"

13.85' Lt.69+00.00 to 14.50' Lt.67+35.00 164.99 FEET
Total 164.99 FEET

Water Valves To Be Adjusted

17.27' Lt.66+60.82 1.00 EACH
19.99' Lt.66+63.09 1.00 EACH
Total 2 EACH

Water Service Line 3/4"

14.10' Rt.64+62.45 7.00 FEET
22.01' Lt.68+20.31 6.00 FEET
22.22' Lt.68+27.89 4.00 FEET
21.09' Lt.68+86.14 4.00 FEET
Total 21 FEET

Domestic Meter Vaults To Be Moved

14.10' Rt.64+62.45 1.00 EACH
22.01' Lt.68+20.31 1.00 EACH
22.22' Lt.68+27.89 1.00 EACH
21.09' Lt.68+86.14 1.00 EACH
Total 4 EACH

Manholes, Type A, 4' - Diameter, Type 11 Frame and Grate

13.50' Rt.64+66.25 1.00 EACH
14.50' Lt.67+35.00 1.00 EACH
Total 2 EACH

Inlets, Type A, With Salvaged Grate

20.00' Rt.64+66.25 1.00 EACH
Total 1 EACH

Manholes To Be Adjusted

11.79' Rt.65+08.36 1.00 EACH
6.65' Lt.65+25.03 1.00 EACH
Total 2 EACH

Removing Inlets

17.73' Rt.64+66.30 1.00 EACH
Total 1 EACH

Combination Concrete Curb and Gutter, Type B-6.12

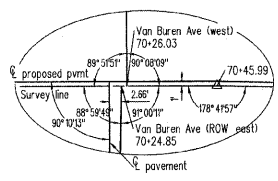
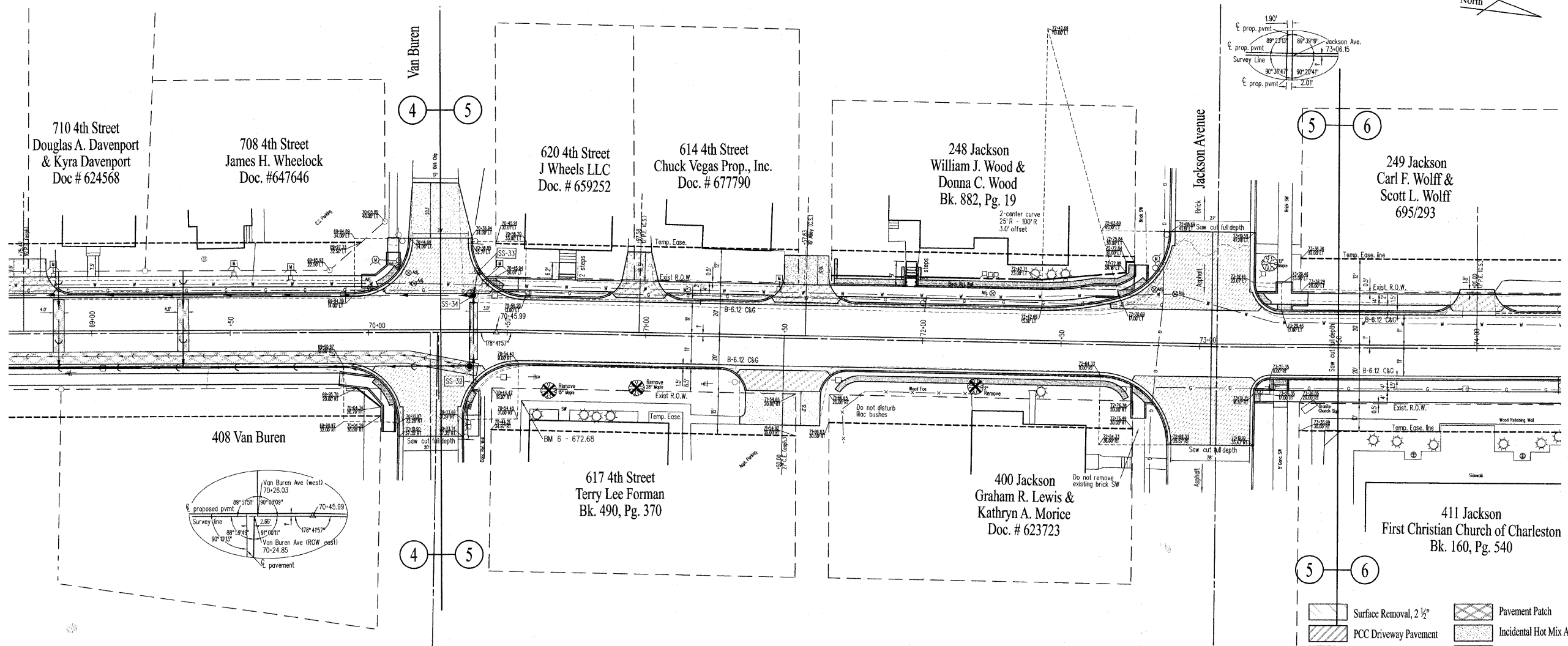
13.00' Rt.64+00.00 to 13.00' Rt.64+81.80 81.80 FEET
13.00' Lt.64+00.00 to 13.01' Lt.64+46.79 46.79 FEET
13.01' Lt.64+46.79 to 15.60' Lt.65+25.57 79.63 FEET
13.00' Rt.64+81.80 to 14.79' Rt.65+25.77 44.20 FEET
14.00' Lt.66+54.68 to 14.00' Lt.69+00.00 245.32 FEET
12.00' Rt.66+87.76 to 12.00' Rt.69+00.00 212.24 FEET
Total 709.98 FEET

Thermoplastic Pavement Marking - Line 4"

11.67' Lt.64+00.00 to 14.27' Lt.65+26.16 126.40 FEET
11.67' Rt.64+00.00 to 13.46' Rt.65+26.16 126.02 FEET
0.00' Rt.64+00.00 to 0.00' Rt.65+26.16 31.54 FEET
12.67' Lt.66+54.68 to 12.67' Lt.69+00.00 245.32 FEET
11.68' Rt.66+54.68 to 10.67' Rt.69+00.00 245.39 FEET
0.00' Rt.66+54.69 to 0.00' Rt.69+00.00 61.33 FEET
Total 836 FEET

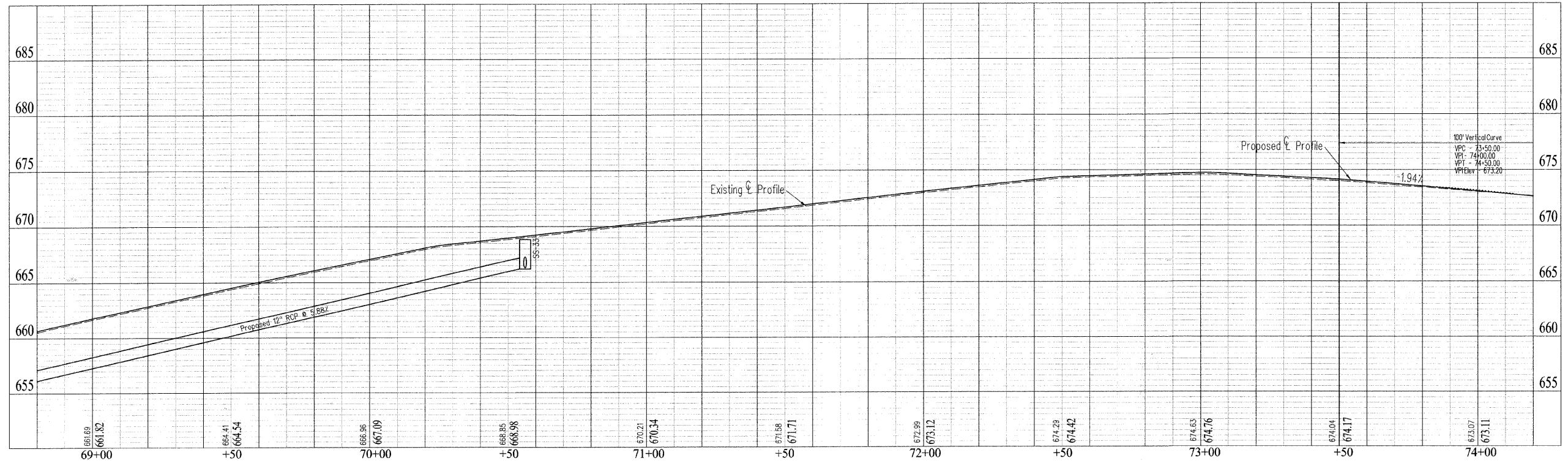
Segmental Concrete Block Wall

21.00' Rt.64+00.00 to 21.00' Rt.64+27.26 72.00 SF
Total 72 SF



Benchmark #6
SW corner of sidewalk at 617 4th Street
Elevation - 660.39

- Surface Removal, 2 1/2"
- PCC Driveway Pavement
- Detectable Warning
- Pavement Patch
- Incidental Hot Mix Asphalt Surfacing
- Aggregate Surface



DRAWN	DCR
DATE	CHECKED
DATE	DATE
APPROVED	DATE
DATE	REVISD
DATE	DATE

SCALES
Plan: 1" = 20'
Profile: 1" = 20'
Horizontal: 1" = 20'
Vertical: 1" = 2'

4th Street

Plan and Profile

DRAWN	DKR
DATE	
CHECKED	
DATE	
APPROVED	
DATE	
REVISED	
DATE	

SCALES	N/A
--------	-----

4th Street Plan and Profile

Tree Removal (6 to 15 Units Diameter)
20.50' Rt.70+65.48 15.00 UNITS
Total 15 UNITS

Tree Removal (Over 15 Units Diameter)
19.00' Rt.70+97.00 28.00 UNITS
Total 28 UNITS

Trench Backfill
13.33' Lt.70+37.81 to 13.85' Lt.69+00.00 215.00 CY
18.23' Rt.70+37.81 to 13.33' Lt.70+37.81 5.70 CY
22.08' Lt.70+39.45 to 13.33' Lt.70+37.81 3.50 CY
Total 224.2 CY

Sub-Base Granular Material, Type B 4"
13.10' Lt.69+00.00 to 13.15' Lt.69+94.90 49.66 SY
11.30' Rt.69+00.00 to 11.16' Rt.69+85.91 43.28 SY
11.00' Rt.70+24.67 to 37.58' Rt.70+24.21 108.02 SY
13.00' Lt.70+26.01 to 33.91' Lt.70+25.96 82.96 SY
11.35' Rt.70+54.41 to 11.14' Rt.72+64.35 65.07 SY
12.53' Lt.70+56.22 to 12.50' Lt.72+42.72 80.85 SY
10.70' Lt.73+06.04 to 41.37' Lt.73+05.72 160.12 SY
10.00' Rt.73+06.27 to 35.39' Rt.73+06.54 115.68 SY
11.28' Rt.73+25.34 to 11.34' Rt.73+50.00 7.17 SY
12.61' Lt.73+29.48 to 12.58' Lt.73+50.00 8.90 SY
0.00' Lt.73+50.00 to 0.00' Lt.74+00.00 150.01 SY
Total 871.72 SY

Aggregate Base Course, Type B 6"
19.00' Rt.71+50.00 to 31.17' Rt.71+50.00 37.22 SY
Total 37.22 SY

Aggregate Base Course, Type B 8"
33.90' Lt.70+26.02 to 53.91' Lt.70+26.02 44.17 SY
Total 44.17 SY

Portland Cement Concrete Base Course 7"
12.00' Rt.70+24.66 to 37.35' Rt.70+24.21 72.35 SY
14.00' Lt.70+26.01 to 34.00' Lt.70+25.96 59.33 SY
13.28' Lt.73+06.02 to 41.37' Lt.73+05.72 109.03 SY
10.78' Rt.73+06.27 to 35.39' Rt.73+06.54 91.37 SY
0.00' Lt.73+50.00 to 0.00' Lt.74+00.00 122.22 SY
Total 454.3 SY

Portland Cement Concrete Base Course Widening 7"
12.00' Lt.69+00.00 to 12.00' Lt.69+94.90 21.09 SY
10.00' Rt.69+00.00 to 10.00' Rt.69+85.92 19.09 SY
10.00' Rt.69+85.92 to 10.22' Rt.70+51.39 13.99 SY
12.00' Lt.69+94.90 to 11.00' Lt.70+56.21 21.61 SY
11.00' Lt.70+56.21 to 11.00' Lt.72+42.71 41.44 SY
11.00' Lt.72+42.71 to 10.00' Lt.73+29.48 23.22 SY
11.00' Lt.73+29.48 to 11.00' Lt.73+50.00 4.56 SY
Total 145 SY

Aggregate Surface Course, Type B
19.50' Lt.70+97.58 to 30.00' Lt.70+97.58 4.62 TONS
19.50' Lt.74+00.00 to 21.25' Lt.74+00.00 0.90 TONS
Total 5.52 TONS

Bituminous Materials (Prime Coat)
33.90' Lt.70+26.02 to 53.91' Lt.70+26.02 22.09 GAL
19.00' Rt.71+50.00 to 31.17' Rt.71+50.00 18.61 GAL
Total 40.7 GAL

Aggregate (Prime Coat)
33.90' Lt.70+26.02 to 53.91' Lt.70+26.02 0.13 TONS
19.00' Rt.71+50.00 to 31.17' Rt.71+50.00 0.11 TONS
Total 0.24 TONS

Incidental Hot-Mix Asphalt Surfacing
33.90' Lt.70+26.02 to 53.91' Lt.70+26.02 7.42 TONS
19.00' Rt.71+50.00 to 31.17' Rt.71+50.00 6.25 TONS
Total 13.67 TONS

Portland Cement Concrete Driveway Pavement, 6 Inch
13.50' Lt.70+97.58 to 19.50' Lt.70+97.58 11.06 SY
11.50' Rt.71+50.00 to 19.00' Rt.71+50.00 24.86 SY
13.00' Lt.71+57.63 to 19.50' Lt.71+57.63 15.30 SY
13.50' Lt.74+00.00 to 21.25' Lt.74+00.00 11.06 SY
Total 62.28 SY

Portland Cement Concrete Sidewalk 4 Inch
18.50' Lt.69+00.00 to 18.50' Lt.70+06.73 426.29 SF
16.50' Rt.69+00.00 to 16.50' Rt.69+89.43 357.71 SF
20.50' Lt.69+00.57 to 28.00' Lt.69+00.57 30.00 SF
16.50' Rt.69+89.43 to 35.61' Rt.70+07.18 157.48 SF
20.50' Lt.70+05.74 to 34.18' Lt.70+08.90 68.60 SF
20.43' Rt.70+37.44 to 37.34' Rt.70+37.72 72.41 SF
17.53' Lt.70+44.78 to 17.50' Lt.70+89.95 181.15 SF
21.50' Lt.70+71.29 to 25.69' Lt.70+71.29 25.15 SF
17.50' Lt.71+05.25 to 17.50' Lt.71+47.99 170.04 SF
17.50' Lt.71+67.29 to 17.50' Lt.72+42.71 301.20 SF
17.50' Lt.72+42.71 to 29.03' Lt.72+78.35 184.06 SF
22.63' Lt.72+75.69 to 30.67' Lt.72+78.00 46.06 SF
17.11' Rt.72+79.94 to 26.13' Rt.72+78.46 59.39 SF
17.50' Rt.73+19.85 to 17.50' Rt.74+00.00 360.91 SF
17.50' Lt.73+21.73 to 17.50' Lt.73+92.35 325.35 SF
Total 2765.8 SF

Detectable Warnings
20.93' Rt.70+05.81 22.19 SF
19.98' Lt.70+06.97 18.79 SF
23.17' Rt.70+37.03 8.00 SF
17.29' Lt.70+46.44 13.71 SF
17.26' Lt.71+46.57 10.68 SF
17.26' Lt.71+68.71 10.68 SF
20.57' Lt.72+75.32 21.92 SF
17.78' Rt.72+79.19 15.19 SF
17.50' Rt.73+20.85 7.91 SF
17.50' Lt.73+23.06 10.23 SF
12.50' Rt.73+29.15 10.00 SF
14.50' Lt.73+30.44 9.94 SF
Total 159.24 SF

Pavement Removal
11.00' Rt.70+24.67 to 37.58' Rt.70+24.21 84.18 SY
13.00' Lt.70+26.01 to 53.91' Lt.70+25.96 90.12 SY
12.00' Lt.73+06.03 to 41.37' Lt.73+05.71 107.25 SY
10.00' Rt.73+06.27 to 35.39' Rt.73+06.54 103.46 SY
0.00' Lt.73+50.00 to 0.00' Lt.74+00.00 116.33 SY
Total 501.34 SY

Driveway Pavement Removal
Lt.70+97.58 9.61 SY
Rt.71+50.00 66.57 SY
Lt.71+57.63 6.04 SY
Lt.74+00.00 11.94 SY
Total 94.16 SY

Combination Curb and Gutter Removal
12.21' Lt.69+00.00 to 12.29' Lt.69+98.55 98.55 FEET
10.61' Rt.69+00.00 to 10.33' Rt.69+84.94 84.94 FEET
10.33' Rt.69+84.94 to 37.35' Rt.70+10.91 42.12 FEET
37.75' Rt.70+33.72 to 11.21' Rt.70+60.75 42.61 FEET
12.17' Lt.70+39.56 to 12.14' Lt.72+59.62 220.34 FEET
11.21' Rt.70+60.95 to 11.35' Rt.71+32.84 72.08 FEET
12.55' Rt.71+67.39 to 11.28' Rt.72+64.07 97.17 FEET
12.14' Lt.72+59.62 to 41.19' Lt.72+88.69 46.84 FEET
11.28' Rt.72+64.07 to 35.58' Rt.72+89.34 39.11 FEET
35.47' Rt.73+19.11 to 16.03' Rt.73+19.37 19.45 FEET
16.03' Rt.73+19.37 to 11.61' Rt.73+22.83 6.02 FEET
41.28' Lt.73+19.60 to 21.68' Lt.73+19.68 19.61 FEET
21.68' Lt.73+19.68 to 12.04' Lt.73+32.92 17.82 FEET
11.61' Rt.73+22.83 to 10.79' Rt.74+00.00 77.18 FEET
12.04' Lt.73+32.92 to 12.61' Lt.74+00.00 67.09 FEET
Total 950.93 FEET

Sidewalk Removal
17.05' Lt.69+00.00 to 16.90' Lt.69+98.62 378.96 SF
19.09' Lt.69+00.60 to 28.02' Lt.69+00.60 35.56 SF
12.08' Rt.69+84.91 to 19.00' Rt.70+03.98 77.13 SF
31.48' Lt.70+08.78 to 34.18' Lt.70+08.78 7.97 SF
17.18' Lt.70+37.71 to 16.74' Lt.70+91.55 201.43 SF
18.70' Lt.70+71.05 to 25.69' Lt.70+71.05 55.31 SF
16.77' Lt.71+04.15 to 17.70' Lt.72+78.88 712.23 SF
26.76' Lt.71+95.54 to 29.50' Lt.71+95.54 12.07 SF
19.92' Lt.72+78.25 to 29.02' Lt.72+78.25 47.79 SF
19.11' Lt.73+21.15 to 17.94' Lt.73+90.46 347.46 SF
12.00' Rt.73+29.16 to 21.50' Rt.73+29.16 48.32 SF
16.27' Rt.7278.50 to 24.13' Rt.72+78.50 87.91 SF
Total 2012.14 SF

Saw Cuts
37.35' Rt.70+10.41 to 37.35' Rt.70+34.22 23.81 FEET
41.19' Lt.72+88.21 to 41.28' Lt.73+20.10 31.20 FEET
35.58' Rt.72+88.84 to 35.48' Rt.73+19.61 31.37 FEET
12.65' Lt.73+50.00 to 11.68' Rt.73+50.00 24.33 FEET
Total 110.71 FEET

Concrete Retaining Wall Removal
20.06' Lt.71+68.00 to 20.23' Lt.71+92.88 24.88 FEET
27.41' Lt.71+68.30 to 20.06' Lt.71+68.00 7.36 FEET
20.23' Lt.71+92.88 to 26.72' Lt.71+92.90 6.49 FEET
26.81' Lt.71+98.13 to 20.24' Lt.71+98.13 6.57 FEET
20.24' Lt.71+98.13 to 20.44' Lt.72+74.95 38.86 FEET
Total 84.16 FEET

Steel Railing (Special)
20.00' Lt.71+93.63 to 29.00' Lt.71+93.63 9.00 FEET
20.00' Lt.71+97.13 to 29.00' Lt.71+97.13 9.00 FEET
Total 18 FEET

Storm Sewers, Class A, Type 1 12"
18.23' Rt.70+37.81 to 13.33' Lt.70+37.81 31.55 FEET
13.33' Lt.70+37.81 to 13.42' Lt.70+12.91 24.91 FEET
22.08' Lt.70+39.45 to 13.33' Lt.70+37.81 8.90 FEET
Total 65.36 FEET

Storm Sewers, Class A, Type 2 12"
13.42' Lt.70+12.91 to 13.85' Lt.69+00.00 112.91 FEET
Total 112.91 FEET

Storm Sewer Removal 12"
26.55' Rt.70+35.98 to 12.13' Rt.70+36.41 14.42 FEET
13.95' Lt.70+36.86 to 12.13' Rt.70+36.41 26.08 FEET
Total 40.5 FEET

Water Valves To Be Adjusted
16.19' Lt.70+00.47 1.00 EACH
23.53' Lt.70+10.72 1.00 EACH
21.55' Lt.70+14.36 1.00 EACH
17.64' Lt.70+16.32 1.00 EACH
17.74' Lt.72+24.85 1.00 EACH
20.32' Lt.72+83.28 1.00 EACH
18.75' Lt.72+90.69 1.00 EACH
Total 7 EACH

Water Service Line 3/4"
21.16' Lt.69+51.36 4.00 FEET
19.85' Lt.69+71.81 4.00 FEET
18.19' Lt.70+41.75 9.00 FEET
17.73' Lt.71+47.77 4.00 FEET
Total 21 FEET

Fire Hydrants To Be Moved
25.98' Lt.70+10.92 1.00 EACH
28.10' Lt.72+36.94 1.00 EACH
Total 2 EACH

Domestic Meter Vaults To Be Moved
21.16' Lt.69+51.36 1.00 EACH
19.85' Lt.69+71.81 1.00 EACH
18.19' Lt.70+41.75 1.00 EACH
17.73' Lt.71+47.77 1.00 EACH
Total 4 EACH

Manholes, Type A, 4' - Diameter, Type 1 Frame, Closed Lid
13.33' Lt.70+37.81 1.00 EACH
Total 1 EACH

Inlets, Type A, Type 11 Frame and Grate
18.23' Rt.70+37.81 1.00 EACH
22.08' Lt.70+39.45 1.00 EACH
Total 2 EACH

Manholes To Be Adjusted
12.13' Rt.70+36.41 1.00 EACH
13.95' Lt.70+36.86 1.00 EACH
Total 2 EACH

Removing Inlets
26.55' Rt.70+35.98 1.00 EACH
13.95' Lt.70+36.86 1.00 EACH
Total 2 EACH

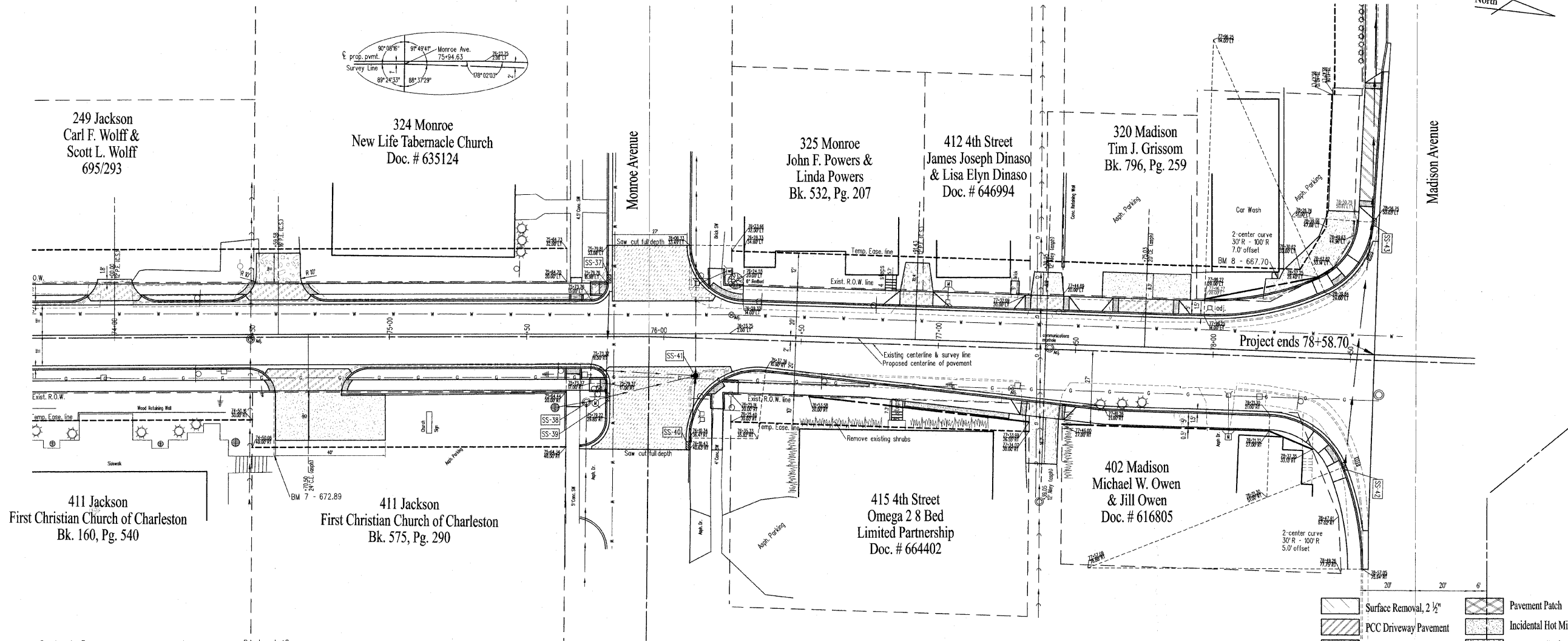
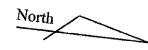
Combination Concrete Curb and Gutter, Type B-6-12
14.00' Lt.69+00.00 to 14.00' Lt.69+94.90 94.90 FEET
12.00' Rt.69+00.00 to 12.00' Rt.69+85.92 85.92 FEET
12.00' Rt.69+85.92 to 37.35' Rt.70+10.91 39.62 FEET
14.00' Lt.69+94.90 to 34.05' Lt.70+14.90 31.46 FEET
31.24' Rt.70+33.71 to 11.00' Rt.70+54.41 31.93 FEET
37.75' Rt.70+33.73 to 31.24' Rt.70+33.71 6.51 FEET
33.75' Lt.70+36.96 to 13.00' Lt.70+56.21 31.94 FEET
11.00' Rt.70+54.41 to 11.00' Rt.72+64.34 207.93 FEET
13.00' Lt.70+56.21 to 13.00' Lt.72+42.71 186.50 FEET
13.00' Lt.72+42.71 to 41.19' Lt.72+88.70 60.75 FEET
11.00' Rt.72+64.34 to 35.57' Rt.72+89.34 38.84 FEET
35.47' Rt.73+19.11 to 16.92' Rt.73+19.36 18.55 FEET
16.92' Rt.73+19.36 to 11.00' Rt.73+25.36 9.35 FEET
23.07' Lt.73+19.48 to 13.00' Lt.73+29.48 15.77 FEET
41.28' Lt.73+19.60 to 23.07' Lt.73+19.48 18.21 FEET
11.00' Rt.73+25.36 to 11.00' Rt.74+00.00 74.64 FEET
13.00' Lt.73+29.48 to 13.00' Lt.73+84.00 54.52 FEET
13.00' Lt.73+84.00 to 15.50' Lt.73+90.61 7.23 FEET
Total 1014.57 FEET

Thermoplastic Pavement Marking - Line 4"
12.67' Lt.69+00.00 to 12.67' Lt.69+94.90 94.90 FEET
10.67' Rt.69+00.00 to 10.67' Rt.69+90.99 90.99 FEET
0.00' Rt.69+00.00 to 0.00' Rt.74+00.00 125.00 FEET
9.67' Rt.70+54.41 to 9.67' Rt.72+64.34 209.93 FEET
11.67' Lt.70+56.21 to 11.67' Lt.72+42.71 186.49 FEET
9.67' Rt.73+25.36 to 9.67' Rt.74+00.00 74.64 FEET
11.67' Lt.73+29.48 to 11.67' Lt.74+00.00 70.52 FEET
Total 852.47 FEET

Segmental Concrete Block Wall
29.00' Lt.71+68.13 to 26.50' Lt.71+92.38 81.00 SF
18.50' Rt.71+69.71 to 19.10' Rt.72+73.75 324.00 SF
26.50' Lt.71+98.38 to 27.08' Lt.72+75.11 171.00 SF
Total 576 SF

Concrete Steps
19.50' Lt.70+71.29 to 21.50' Lt.70+71.29 0.36 CY
19.50' Lt.71+95.38 to 29.50' Lt.71+95.38 1.12 CY
Total 1.48 CY

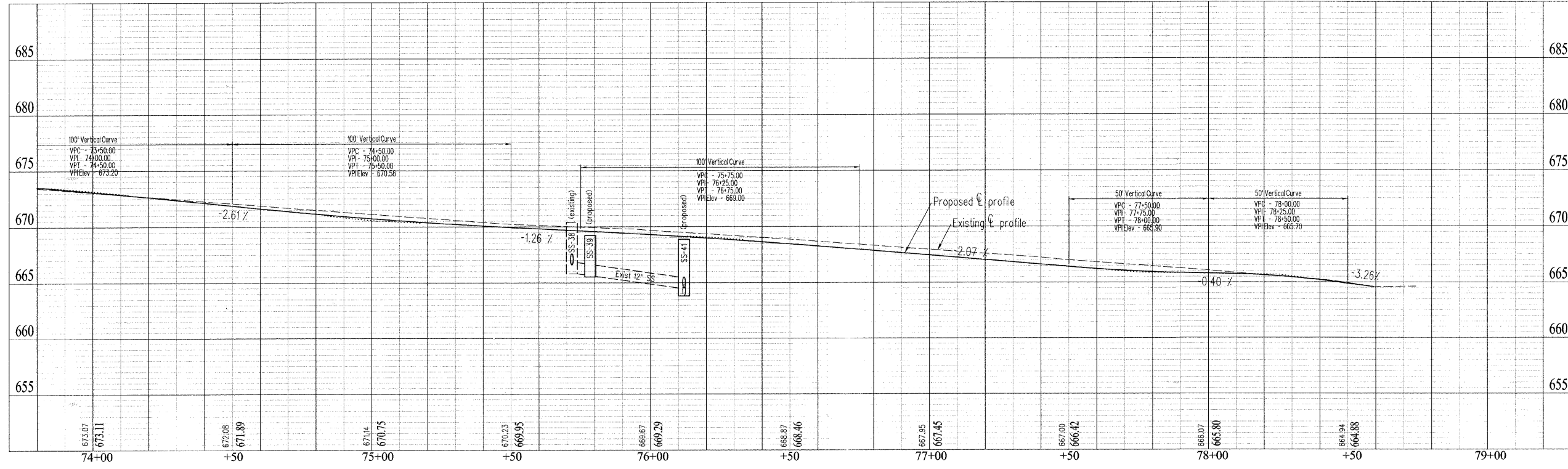
Concrete Removal (special)
19.74' Lt.71+95.51 to 26.76' Lt.71+95.51 31.99 SF
Total 31.99 SF



Benchmark #7
Top of curb at east end near church steps at 411 Jackson
Elevation - 660.39

Benchmark #8
NE corner, old sign base at 320 Madison
Elevation - 660.39

- Surface Removal, 2 1/2"
- PCC Driveway Pavement
- Detectable Warning
- Pavement Patch
- Incidental Hot Mix Asphalt Surfacing
- Aggregate Surface



DCR	DATE	DESCRIPTION

SCALES

Plan: 1" = 20'
Profile: 1" = 20'
Vertical: 1" = 2'

4th Street

Plan and Profile

DRAWN	DATE	CHECKED	DATE	APPROVED	DATE	REVISED	DATE

SCALES	N/A
--------	-----

4th Street
Plan and Profile

Trench Backfill
21.00' Lt.75+80.27 to 22.00' Rt.75+78.81 16.20 CY
39.12' Rt.76+09.90 to 13.67' Rt.76+11.99 9.10 CY
Total 25.3 CY

Sub-Base Granular Material, Type B 4"
0.00' Lt.74+00.00 to 0.00' Lt.78+58.70 1663.28 SY
10.00' Rt.75+94.54 to 41.00' Rt.75+94.22 142.10 SY
12.00' Lt.75+94.68 to 33.04' Lt.75+94.73 90.99 SY
Total 1896.37 SY

Aggregate Base Course, Type B 6"
19.50' Rt.74+70.50 to 33.00' Rt.74+70.50 55.97 SY
19.50' Lt.77+39.05 to 29.00' Lt.77+39.05 11.57 SY
24.71' Rt.77+39.05 to 41.50' Rt.77+39.05 21.73 SY
19.50' Lt.77+75.03 to 29.75' Lt.77+75.03 36.45 SY
22.50' Lt.78+17.00 to 53.60' Lt.78+50.00 45.56 SY
Total 171.28 SY

Portland Cement Concrete Base Course 7"
0.00' Lt.74+00.00 to 0.00' Lt.78+58.70 1438.06 SY
11.00' Rt.75+94.53 to 41.00' Rt.75+94.22 117.85 SY
13.00' Lt.75+94.68 to 33.04' Lt.75+94.73 68.51 SY
Total 1624.42 SY

Aggregate Surface Course, Type B
19.50' Lt.74+59.58 to 29.00' Lt.74+59.58 6.17 TONS
19.50' Lt.76+91.43 to 25.50' Lt.76+91.43 2.54 TONS
Total 8.71 TONS

Bituminous Materials (Prime Coat)
19.50' Rt.74+70.50 to 33.00' Rt.74+70.50 27.99 GAL
19.50' Lt.77+39.05 to 29.00' Lt.77+39.05 5.79 GAL
24.71' Rt.77+39.05 to 41.50' Rt.77+39.05 10.87 GAL
19.50' Lt.77+75.03 to 29.75' Lt.77+75.03 18.22 GAL
22.50' Lt.78+17.00 to 53.60' Lt.78+50.00 22.78 GAL
Total 85.65 GAL

Aggregate (Prime Coat)
19.50' Rt.74+70.50 to 33.00' Rt.74+70.50 0.17 TONS
19.50' Lt.77+39.05 to 29.00' Lt.77+39.05 0.03 TONS
24.71' Rt.77+39.05 to 41.50' Rt.77+39.05 0.07 TONS
19.50' Lt.77+75.03 to 29.75' Lt.77+75.03 0.11 TONS
22.50' Lt.78+17.00 to 53.60' Lt.78+50.00 0.14 TONS
Total 0.52 TONS

Incidental Hot-Mix Asphalt Surfacing
19.50' Rt.74+70.50 to 33.00' Rt.74+70.50 9.40 TONS
19.50' Lt.77+39.05 to 29.00' Lt.77+39.05 1.95 TONS
24.71' Rt.77+39.05 to 41.50' Rt.77+39.05 3.65 TONS
19.50' Lt.77+75.03 to 29.75' Lt.77+75.03 6.12 TONS
22.50' Lt.78+17.00 to 53.60' Lt.78+50.00 7.65 TONS
Total 28.77 TONS

Portland Cement Concrete Driveway Pavement, 6 Inch
13.50' Lt.74+59.58 to 19.50' Lt.74+59.58 13.72 SY
11.50' Rt.74+70.50 to 19.50' Rt.74+70.50 24.54 SY
14.50' Lt.76+91.43 to 19.50' Lt.76+91.43 6.87 SY
14.50' Lt.77+39.05 to 19.50' Lt.77+39.05 6.87 SY
19.69' Rt.77+39.05 to 24.71' Rt.77+39.05 6.87 SY
14.50' Lt.77+75.03 to 19.50' Lt.77+75.03 11.11 SY
Total 69.38 SY

Portland Cement Concrete Sidewalk 4 Inch
17.50' Rt.74+00.00 to 17.50' Rt.74+57.88 231.19 SF
17.50' Lt.74+07.65 to 17.50' Lt.74+49.95 168.27 SF
17.50' Lt.74+69.25 to 17.50' Lt.75+79.07 443.52 SF
17.50' Rt.74+83.14 to 17.50' Rt.75+78.87 388.32 SF
11.50' Rt.75+66.97 to 15.50' Rt.75+66.97 24.00 SF
19.50' Rt.75+66.97 to 21.50' Rt.75+66.97 10.00 SF
13.50' Lt.75+68.14 to 15.50' Lt.75+68.14 10.00 SF
19.50' Lt.75+68.14 to 21.50' Lt.75+68.14 8.00 SF
19.50' Lt.76+18.30 to 25.50' Lt.76+18.30 36.00 SF
17.00' Lt.76+18.79 to 17.00' Lt.76+85.45 333.77 SF
17.50' Rt.76+19.08 to 17.50' Rt.76+75.23 229.32 SF
19.50' Rt.76+20.07 to 28.50' Rt.76+20.60 43.92 SF
28.50' Rt.76+20.60 to 19.50' Rt.76+20.58 36.00 SF
17.00' Rt.76+75.25 to 21.69' Rt.77+32.81 288.82 SF
23.53' Lt.76+81.91 to 25.18' Lt.76+81.91 6.71 SF
20.36' Rt.76+85.74 to 24.50' Rt.76+85.81 16.64 SF
17.00' Lt.76+97.45 to 17.00' Lt.77+33.07 178.09 SF
19.50' Lt.77+27.17 to 24.50' Lt.77+27.17 15.00 SF
22.67' Rt.77+44.77 to 24.00' Rt.77+61.16 82.17 SF
17.00' Lt.77+45.07 to 17.00' Lt.77+65.04 99.89 SF
24.00' Rt.77+61.16 to 24.00' Rt.78+21.32 300.81 SF
17.00' Lt.77+85.04 to 17.00' Lt.77+96.27 56.11 SF
17.00' Lt.77+96.27 to 50.13' Lt.78+53.76 365.54 SF
24.00' Rt.78+21.32 to 76.03' Rt.78+54.07 341.18 SF
Total 3713.27 SF

Detectable Warnings
17.26' Lt.74+48.53 10.68 SF
17.39' Rt.74+56.76 8.84 SF
17.26' Lt.74+70.67 10.68 SF
17.39' Rt.74+84.27 8.84 SF
12.50' Rt.75+66.97 10.00 SF
14.50' Lt.75+68.14 8.00 SF
17.50' Lt.75+77.77 9.81 SF
17.51' Rt.75+77.87 7.88 SF
18.14' Rt.76+19.86 11.88 SF
16.62' Lt.76+22.01 25.84 SF
21.61' Rt.77+31.82 10.00 SF
17.00' Lt.77+32.07 10.00 SF
22.75' Rt.77+45.77 10.00 SF
17.00' Lt.77+46.07 10.00 SF
17.00' Lt.77+64.04 10.00 SF
17.00' Lt.77+86.04 10.00 SF
Total 172.45 SF

Pavement Removal
0.00' Lt.74+00.00 to 0.00' Lt.78+58.70 1119.03 SY
10.00' Rt.75+94.54 to 41.00' Rt.75+94.22 110.55 SY
12.00' Lt.75+94.67 to 33.04' Lt.75+94.73 73.33 SY
Total 1302.91 SY

Driveway Pavement Removal
Lt.74+59.58 18.25 SY
Rt.74+70.50 84.12 SY
Lt.76+91.43 3.54 SY
Lt.77+39.05 14.84 SY
Rt.77+39.05 41.35 SY
Lt.77+75.03 60.30 SY
Rt.78+00.00 15.96 SY
22.50' Lt.78+17.00 to 53.60' Lt.78+50.00 45.56 SY
Total 283.92 SY

Concrete Removal (special)
20.53' Lt.76+81.95 to 23.53' Lt.76+81.95 12.51 SF
Total 12.51 SF

Combination Curb and Gutter Removal
12.61' Lt.74+00.00 to 13.79' Lt.75+64.73 164.74 FEET
10.79' Rt.74+00.00 to 9.55' Rt.75+72.08 172.08 FEET
13.79' Lt.75+64.73 to 28.52' Lt.75+79.81 23.29 FEET
9.55' Rt.75+72.08 to 40.05' Rt.75+69.33 39.92 FEET
28.52' Lt.75+79.81 to 33.08' Lt.75+79.82 4.56 FEET
33.48' Lt.76+08.34 to 18.79' Lt.76+08.88 14.70 FEET
19.26' Rt.76+09.95 to 11.42' Rt.76+18.52 13.16 FEET
13.89' Lt.76+10.09 to 11.75' Lt.76+14.84 5.29 FEET
40.63' Rt.76+10.45 to 19.26' Rt.76+09.95 21.38 FEET
11.75' Lt.76+14.84 to 11.79' Lt.78+01.97 187.13 FEET
11.40' Rt.76+22.91 to 11.94' Rt.78+08.95 186.04 FEET
11.79' Lt.78+01.97 to 50.03' Lt.78+56.74 74.59 FEET
11.96' Rt.78+08.95 to 75.94' Rt.78+57.07 95.11 FEET
Total 1001.99 FEET

Sidewalk Removal
17.02' Lt.74+06.39 to 17.29' Lt.74+46.07 151.14 SF
16.53' Lt.74+74.32 to 17.30' Lt.75+73.53 587.15 SF
10.08' Rt.75+67.03 to 21.50' Rt.75+67.03 58.04 SF
20.25' Lt.75+68.14 to 21.50' Lt.75+68.14 5.35 SF
16.62' Lt.76+09.19 to 16.60' Lt.77+61.67 589.64 SF
18.22' Lt.76+18.02 to 25.50' Lt.76+18.02 31.10 SF
11.39' Lt.76+18.25 to 14.71' Lt.76+18.25 14.19 SF
11.20' Rt.76+20.60 to 28.50' Rt.76+20.73 65.31 SF
17.72' Rt.76+22.60 to 17.85' Rt.77+23.72 387.60 SF
23.53' Lt.76+81.89 to 25.18' Lt.76+81.89 6.39 SF
18.31' Lt.76+82.02 to 20.53' Lt.76+82.02 8.63 SF
19.73' Rt.76+85.76 to 27.50' Rt.76+85.76 31.23 SF
18.44' Lt.77+27.17 to 24.50' Lt.77+27.17 14.49 SF
16.10' Lt.78+00.33 to 50.15' Lt.78+53.11 507.10 SF
15.49' Rt.78+19.78 to 76.02' Rt.78+54.58 380.75 SF
20.61' Rt.78+35.31 to 45.79' Rt.78+35.79 92.45 SF
Total 4999.66 FEET

Saw Cuts
40.74' Rt.75+69.22 to 40.62' Rt.76+10.95 40.32 FEET
33.09' Lt.75+79.31 to 33.50' Lt.76+08.85 30.68 FEET
49.96' Lt.78+58.76 to 75.88' Rt.78+59.06 125.85 FEET
Total 196.85 FEET

Storm Sewers, Class A, Type 1 12"
21.00' Lt.75+80.27 to 22.00' Rt.75+78.81 43.02 FEET
39.12' Rt.76+09.90 to 13.67' Rt.76+11.99 25.45 FEET
Total 68.47 FEET

Water Valves To Be Adjusted
18.90' Rt.75+76.41 1.00 EACH
8.90' Lt.76+24.33 1.00 EACH
Total 2 EACH

Water Service Line 3/4"
19.89' Lt.76+11.52 13.00 FEET
16.09' Lt.77+02.95 7.00 FEET
16.96' Lt.77+98.27 6.00 FEET
14.53' Rt.78+06.12 15.00 FEET
Total 41 FEET

Fire Hydrants To Be Moved
18.98' Rt.75+74.54 1.00 EACH
Total 1 EACH

Domestic Meter Vaults To Be Moved
19.89' Lt.76+11.52 1.00 EACH
16.09' Lt.77+02.95 1.00 EACH
14.53' Rt.78+06.12 1.00 EACH
Total 3 EACH

Domestic Meter Vaults To Be Adjusted
16.96' Lt.77+98.27 1.00 EACH
Total 1 EACH

Manholes, Type A, 4' - Diameter, Type 1 Frame, Closed Lid
13.67' Rt.76+11.99 1.00 EACH
Total 1 EACH

Manholes, Type A, 4' - Diameter, Type 11 Frame and Grate
22.00' Rt.75+78.81 1.00 EACH
Total 1 EACH

Inlets, Type A, Type 11 Frame and Grate
21.00' Lt.75+80.27 1.00 EACH
39.12' Rt.76+09.90 1.00 EACH
Total 2 EACH

Manholes To Be Adjusted
0.60' Rt.74+49.51 1.00 EACH
0.50' Lt.77+40.52 1.00 EACH
Total 2 EACH

Removing Manholes
13.67' Rt.76+12.00 1.00 EACH
Total 1 EACH

Removing Inlets
12.21' Rt.75+77.14 1.00 EACH
37.19' Rt.78+53.14 1.00 EACH
37.96' Lt.78+55.15 1.00 EACH
Total 3 EACH

Concrete Curb, Type B
20.00' Lt.77+96.27 to 50.61' Lt.78+50.78 68.88 FEET
Total 68.88 FEET

Combination Concrete Curb and Gutter, Type B-6.12
11.00' Rt.74+00.00 to 11.00' Rt.75+73.38 173.38 FEET
15.50' Lt.74+09.39 to 13.00' Lt.74+16.00 7.23 FEET
13.00' Lt.74+16.00 to 13.00' Lt.75+73.78 157.78 FEET
11.00' Rt.75+73.38 to 17.07' Rt.75+79.39 9.50 FEET
13.00' Lt.75+73.78 to 18.98' Lt.75+79.78 9.41 FEET
29.85' Rt.75+79.23 to 39.74' Rt.75+69.23 15.59 FEET
17.07' Rt.75+79.38 to 29.85' Rt.75+79.23 12.78 FEET
18.98' Lt.75+79.78 to 33.08' Lt.75+79.82 14.10 FEET
33.49' Lt.76+08.35 to 14.00' Lt.76+28.34 30.90 FEET
40.63' Rt.76+10.45 to 10.90' Rt.76+37.37 46.11 FEET
14.00' Lt.76+28.34 to 14.00' Lt.77+96.27 167.93 FEET
10.90' Rt.76+37.37 to 21.00' Rt.77+61.28 124.32 FEET
21.00' Rt.77+61.28 to 21.00' Rt.78+21.32 60.04 FEET
14.00' Lt.77+96.27 to 50.03' Lt.78+56.76 77.72 FEET
21.00' Rt.78+21.32 to 75.94' Rt.78+57.07 72.87 FEET
Total 979.66 FEET

Thermoplastic Pavement Marking - Letters and Symbols
6.40' Rt.77+63.00 15.43 SF
12.53' Rt.77+63.00 25.76 SF
6.40' Rt.78+20.94 15.43 SF
12.53' Rt.78+20.94 25.76 SF
Total 82.38 SF

Thermoplastic Pavement Marking - Line 4"
11.67' Lt.74+00.00 to 11.67' Lt.75+73.78 173.78 FEET
9.67' Rt.74+00.00 to 9.67' Rt.75+73.38 173.38 FEET
0.00' Rt.74+00.00 to 0.00' Rt.78+58.70 114.68 FEET
12.67' Lt.76+28.34 to 22.80' Lt.78+40.44 213.63 FEET
9.58' Rt.76+37.48 to 19.67' Rt.78+21.32 184.25 FEET
9.33' Rt.77+61.32 to 9.33' Rt.78+35.69 74.37 FEET
12.67' Lt.77+96.27 to 43.01' Lt.78+57.07 72.71 FEET
19.67' Rt.78+21.32 to 61.70' Rt.78+56.98 60.63 FEET
19.67' Rt.78+48.78 to 19.67' Rt.78+58.31 9.53 FEET
19.67' Rt.78+48.79 to 31.82' Rt.78+58.32 15.50 FEET
19.67' Rt.78+58.31 to 31.82' Rt.78+58.32 12.16 FEET
Total 1104.62 FEET

Thermoplastic Pavement Marking - Line 6"
23.98' Lt.78+41.98 to 27.83' Rt.78+41.91 51.81 FEET
28.87' Lt.78+48.88 to 35.91' Rt.78+48.40 64.78 FEET
Total 116.59 FEET

Thermoplastic Pavement Marking - Line 24"
2.00' Lt.78+36.70 to 24.06' Rt.78+36.66 26.07 FEET
Total 26.07 FEET

Gas Valve To Be Adjusted
14.73' Rt.77+26.98 1.00 EACH
Total 1 EACH

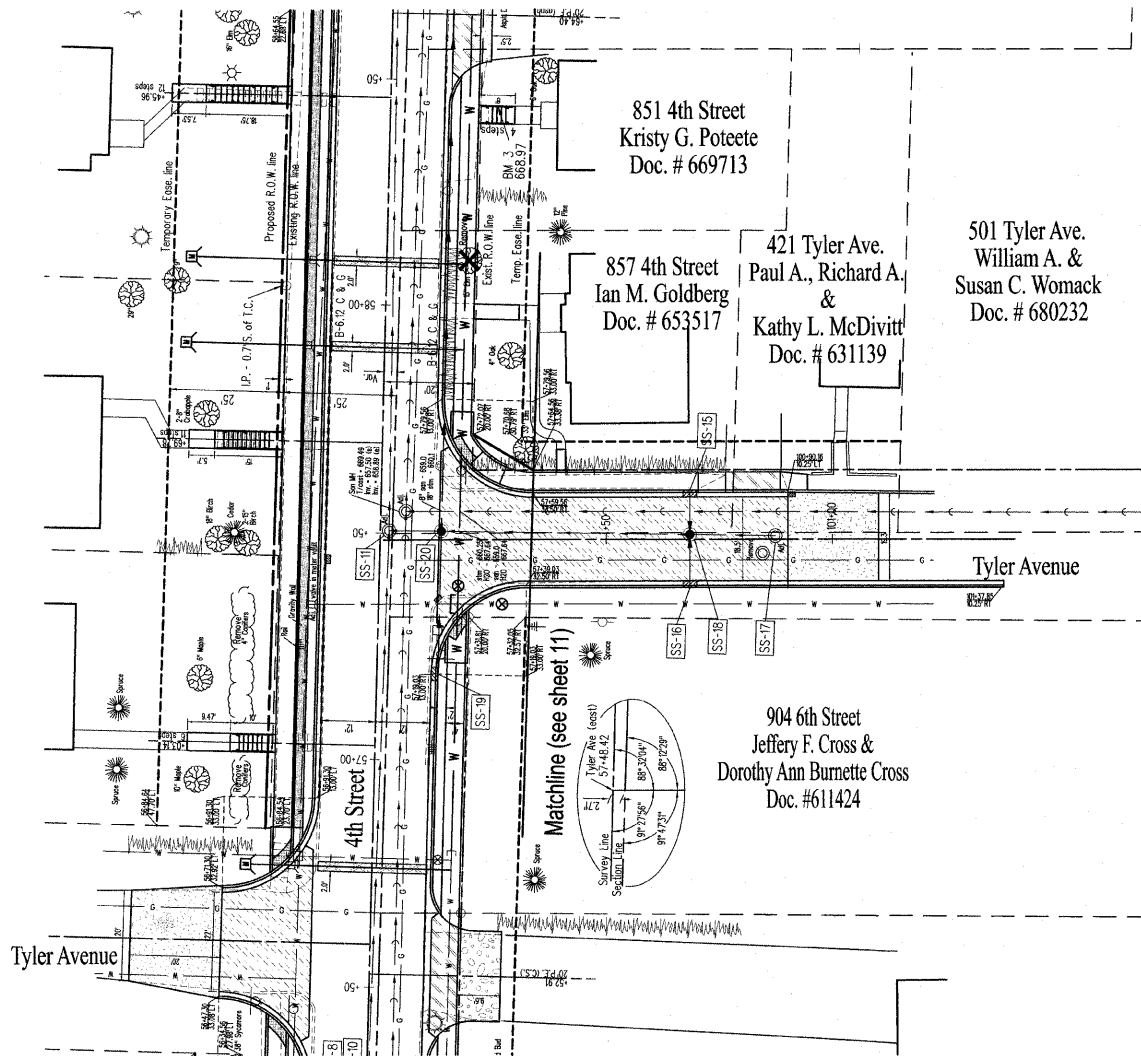
Segmental Concrete Block Wall
21.47' Rt.76+88.50 to 24.57' Rt.77+26.56 63.00 SF
Total 63 SF

Concrete Steps
19.50' Lt.76+81.93 to 23.50' Lt.76+81.93 0.52 CY
24.50' Rt.76+85.81 to 27.50' Rt.76+85.81 0.38 CY
Total 0.9 CY

CSI CONSOLIDATED SERVICES INC.
of Coles County

ENGINEERING - SURVEYING - CONSTRUCTION MANAGEMENT
520 Jackson Avenue - P.O. Box 644 - Charleston, Illinois - 61820 - (217) 345-9511

CSI File #0378-06-06



- Surface Removal, 2 1/2"
- PCC Driveway Pavement
- Detectable Warning
- Pavement Patch
- Incidental Hot Mix Asphalt Surfacing
- Aggregate Surface

DRAWN	DCR
DATE	CHECKED
DATE	DATE
APPROVED	REVISD
DATE	DATE

SCALES
Plan: 1" = 20'
Profile: 1" = 20'
Vertical: 1" = 2'



4th Street

Plan and Profile

Sheet No.
21
of 57 Sheets

CSI CONSOLIDATED SERVICES INC.
of Coles County

ENGINEERING - SURVEYING - CONSTRUCTION MANAGEMENT
520 Jackson Avenue - P.O. Box 644 - Charleston, Illinois - 61920 - (217) 345-9511

Trench Backfill
9.75' Lt.100+68.50 to 1.05' Lt.100+68.50 14.40 CY
9.75' Rt.100+68.50 to 1.05' Lt.100+68.50 16.00 CY
Total 30.4 CY

Sub-Base Granular Material, Type B 4"
0.00' Lt.100+33.78 to 0.00' Lt.100+90.12 147.11 SY
Total 147.11 SY

Aggregate Base Course, Type B 8"
100+90.11 44.88 SY
Total 44.88 SY

Portland Cement Concrete Base Course 7"
0.00' Lt.100+33.77 to 0.00' Lt.100+90.11 115.81 SY
Total 115.81 SY

Bituminous Materials (Prime Coat)
100+90.11 22.44 GAL
Total 22.44 GAL

Aggregate (Prime Coat)
100+90.11 0.13 TONS
Total 0.13 TONS

Incidental Hot-Mix Asphalt Surfacing
100+90.11 7.54 TONS
Total 7.54 TONS

Portland Cement Concrete Driveway Pavement, 6 Inch
10.75' Lt.100+82.38 to 14.75' Lt.100+82.38 5.37 SY
Total 5.37 SY

Portland Cement Concrete Sidewalk 4 Inch
12.78' Lt.100+33.78 to 12.76' Lt.100+76.34 170.27 SF
12.75' Lt.100+88.42 to 12.45' Lt.100+94.42 22.42 SF
Total 192.69 SF

Pavement Removal
0.00' Lt.100+33.82 to 0.00' Lt.101+10.19 155.28 SY
Total 155.28 SY

Driveway Pavement Removal
Lt.100+81.57 6.43 SY
Total 6.43 SY

Combination Curb and Gutter Removal
10.65' Lt.100+33.78 to 10.26' Lt.100+90.11 56.34 FEET
Total 56.34 FEET

Sidewalk Removal
12.61' Lt.100+33.78 to 12.65' Lt.100+73.60 127.30 SF
14.14' Lt.100+39.37 to 19.77' Lt.100+39.97 11.27 SF
12.81' Lt.100+89.36 to 12.45' Lt.100+94.42 18.94 SF
Total 157.51 SF

Storm Sewers, Class A, Type 2 12"
9.75' Lt.100+68.50 to 1.05' Lt.100+68.50 8.69 FEET
9.75' Rt.100+68.50 to 1.05' Lt.100+68.50 10.80 FEET
Total 19.49 FEET

Manholes, Type A, 4' - Diameter, Type 1 Frame, Closed Lid
1.05' Lt.100+68.50 1.00 EACH
Total 1 EACH

Inlets, Type A, Type 11 Frame and Grate
9.75' Lt.100+68.50 1.00 EACH
9.75' Rt.100+68.50 1.00 EACH
Total 2 EACH

Manholes To Be Adjusted
0.76' Lt.100+87.32 1.00 EACH
Total 1 EACH

Removing Inlets
10.08' Lt.100+90.92 1.00 EACH
Total 1 EACH

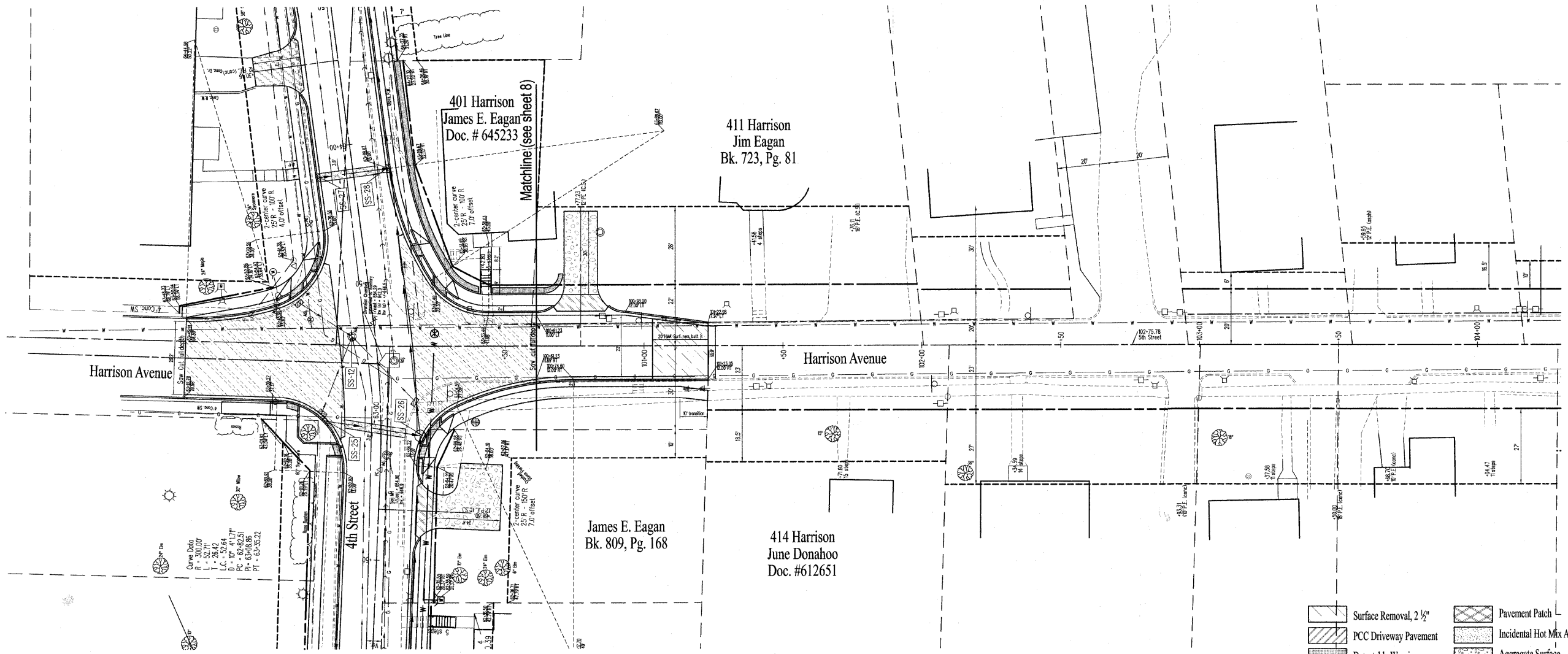
Filling Manholes
3.11' Rt.100+84.52 1.00 EACH
Total 1 EACH

Combination Concrete Curb and Gutter, Type B-6.12
10.23' Rt.100+33.81 to 10.25' Rt.101+37.85 104.02 FEET
10.28' Lt.100+33.82 to 10.25' Lt.100+90.15 56.33 FEET
Total 160.35 FEET

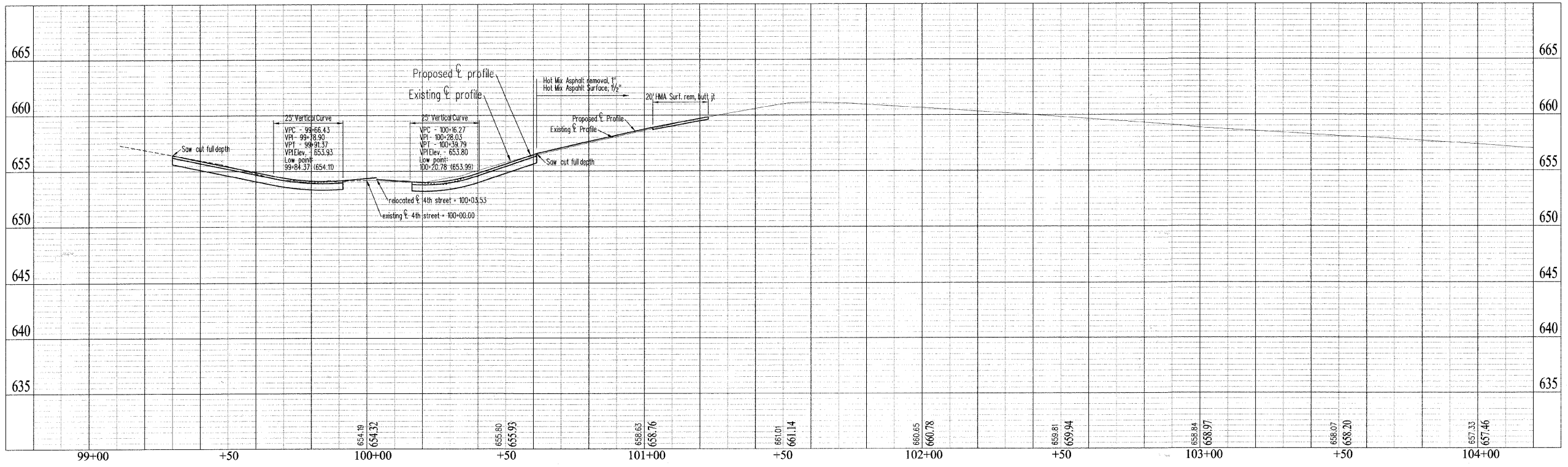
DRAWN DATE	CHECKED DATE	APPROVED DATE	REVISED DATE	DCR
SCALES	N/A			

4th Street
Plan and Profile

Sheet No.
22
of 57 Sheets



- Surface Removal, 2 1/2"
- PCC Driveway Pavement
- Detectable Warning
- Pavement Patch
- Incidental Hot Mix Asphalt Surfacing
- Aggregate Surface



DRAWN	DCR
DATE	
CHECKED	
DATE	
APPROVED	
DATE	
REVISED	
DATE	

SCALES

Plan: 1" = 20'
Profile: 1" = 20'
Horizontal: 1" = 20'
Vertical: 1" = 2"

4th Street

Plan and Profile

CSI CONSOLIDATED SERVICES INC.
of Coles County

ENGINEERING - SURVEYING - CONSTRUCTION MANAGEMENT
520 Jackson Avenue - P.O. Box 644 - Charleston, Illinois - 61920 - (217) 345-9511

DCR	_____
DRAWN DATE	_____
CHECKED DATE	_____
APPROVED DATE	_____
REVISED DATE	_____

SCALES	N/A
--------	-----

4th Street
Plan and Profile

Sheet No.
24
of 57 Sheets

Sub-Base Granular Material, Type B 4"

9.73' Lt.100+61.23 to 7.97' Lt.101+23.05 43.65 SY
12.70' Rt.100+61.23 to 12.04' Rt.101+23.05 18.84 SY
Total 62.49 SY

Portland Cement Concrete Base Course Widening 7"

8.47' Lt.100+61.23 to 6.71' Lt.101+23.05 26.39 SY
11.44' Lt.100+61.23 to 10.79' Rt.101+23.05 1.61 SY
Total 28 SY

Aggregate Surface Course, Type B

18.50' Lt.100+77.23 to 48.50' Lt.100+77.23 14.55 TONS
Total 14.55 TONS

Hot-Mix Asphalt Surface Removal - Butt Joint

0.00' Lt.101+03.05 to 0.00' Lt.101+23.05 37.97 SY
Total 37.97 SY

Portland Cement Concrete Driveway Pavement, 6 Inch

12.50' Lt.100+77.23 to 18.50' Lt.100+77.23 11.06 SY
Total 11.06 SY

Portland Cement Concrete Sidewalk 4 Inch

16.50' Lt.100+61.23 to 16.50' Lt.100+69.58 32.92 SF
17.44' Rt.100+61.23 to 17.78' Rt.101+22.90 245.04 SF
Total 277.96 SF

Combination Curb and Gutter Removal

7.46' Lt.100+61.23 to 7.96' Lt.101+23.05 61.82 FEET
12.49' Rt.100+61.23 to 12.08' Rt.101+23.05 61.82 FEET
Total 123.64 FEET

Sidewalk Removal

20.48' Rt.100+61.23 to 17.78' Rt.101+22.90 241.88 SF
Total 241.88 SF

Combination Concrete Curb and Gutter, Type B-6.12

12.00' Lt.100+61.23 to 12.00' Lt.100+93.20 31.97 FEET
12.90' Rt.100+61.23 to 12.00' Rt.100+74.60 13.41 FEET
12.00' Rt.100+74.60 to 12.00' Rt.101+23.05 48.45 FEET
12.00' Lt.100+93.20 to 7.97' Lt.101+22.98 30.06 FEET
Total 123.89 FEET

Thermoplastic Pavement Marking - Line 4"

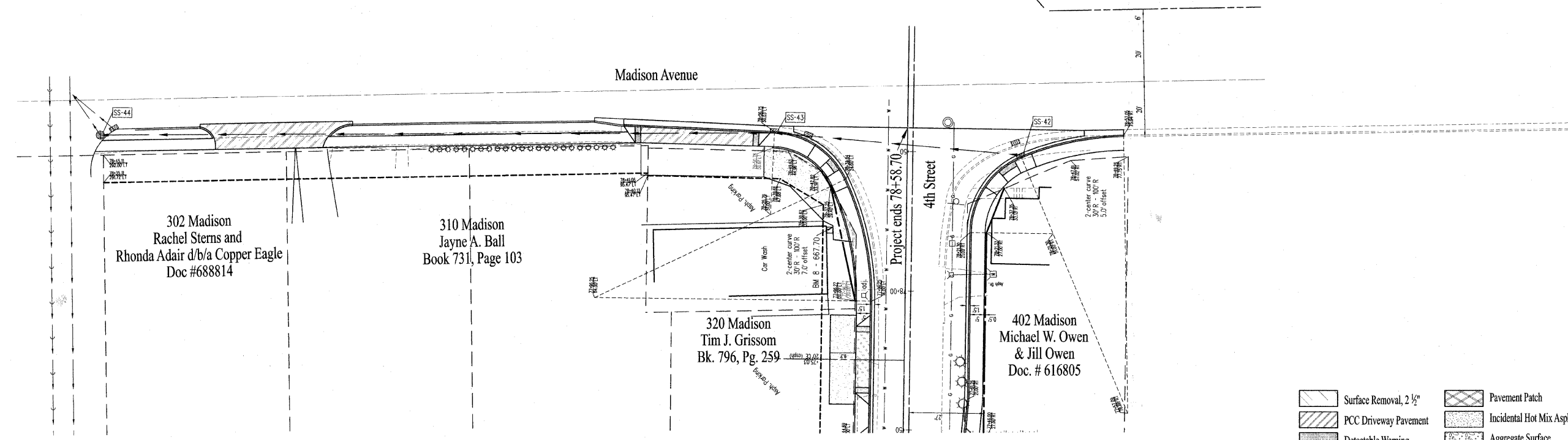
10.67' Lt.100+61.23 to 6.61' Lt.101+23.05 62.09 FEET
11.55' Rt.100+61.23 to 10.67' Rt.101+23.05 61.86 FEET
Total 123.95 FEET

Segmental Concrete Block Wall

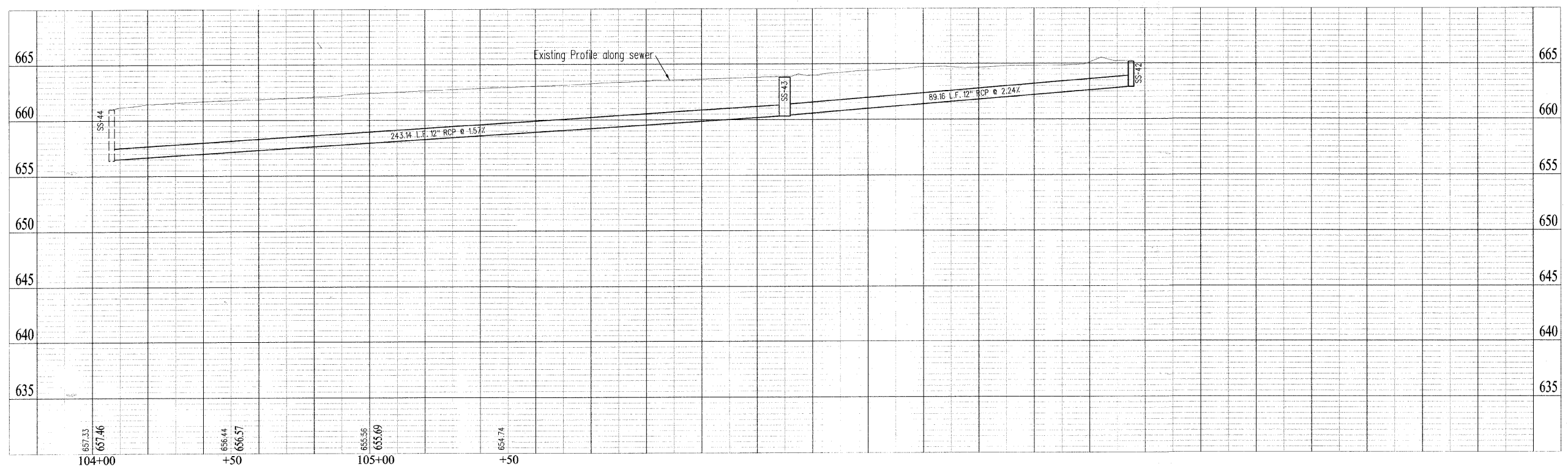
20.00' Lt.100+61.23 to 26.00' Lt.100+69.98 45.00 SF
Total 45 SF

Concrete Removal (special)

12.81' Rt.100+97.93 to 16.85' Rt.100+97.90 17.56 SF
Total 17.56 SF



- Surface Removal, 2 1/2"
- PCC Driveway Pavement
- Detectable Warning
- Pavement Patch
- Incidental Hot Mix Asphalt Surfacing
- Aggregate Surface



SCALE	DCR
Plan: 1" = 20'	DRAWN
Profile: 1" = 20'	CHECKED
Vertical: 1" = 2"	DATE
	DATE
	DATE
	DATE

4th Street

Plan and Profile

Sheet No.
25
of 57 Sheets

CSI CONSOLIDATED SERVICES INC.
of Coles County

ENGINEERING - SURVEYING - CONSTRUCTION MANAGEMENT
520 Jackson Avenue - P.O. Box 644 - Charleston, Illinois - 61920 - (217) 345-9511

Trench Backfill

38.84' Rt. 78+49.29 to 50.04' Lt. 78+56.25 14.30 CY
50.04' Lt. 78+56.25 to 293.16' Lt. 78+52.41 68.90 CY
Total 83.2 CY

Portland Cement Concrete Driveway Pavement, 6 Inch

76.68' Lt. 78+57.13 to 76.77' Lt. 78+51.70 24.59 SY
231.14' Lt. 78+57.51 to 230.85' Lt. 78+48.22 46.24 SY
Total 70.83 SY

Portland Cement Concrete Sidewalk 4 Inch

251.63' Lt. 78+49.63 to 293.94' Lt. 78+45.41 168.77 SF
50.13' Lt. 78+53.76 to 57.65' Lt. 78+53.95 38.05 SF
98.23' Lt. 78+54.04 to 212.18' Lt. 78+50.76 467.51 SF
Total 674.33 SF

Detectable Warnings

56.65' Lt. 78+53.92 10.21 SF
99.23' Lt. 78+54.01 8.00 SF
Total 18.21 SF

Driveway Pavement Removal

76.72' Lt. 78+54.41 24.45 SY
230.43' Lt. 78+55.01 27.46 SY
Total 51.91 SY

Combination Curb and Gutter Removal

50.03' Lt. 78+56.76 to 104.36' Lt. 78+58.42 54.35 FEET
Total 54.35 FEET

Sidewalk Removal

98.09' Lt. 78+53.68 to 294.02' Lt. 78+48.00 824.38 SF
Total 824.38 SF

Storm Sewers, Class A, Type 1 12"

38.85' Rt. 78+49.29 to 50.04' Lt. 78+56.26 89.16 FEET
50.04' Lt. 78+56.26 to 212.11' Lt. 78+53.70 162.09 FEET
Total 251.25 FEET

Storm Sewers, Class A, Type 2 12"

212.11' Lt. 78+53.70 to 293.16' Lt. 78+52.41 81.05 FEET
Total 81.05 FEET

Manholes, Type A, 4' - Diameter, Type 11 Frame and Grate

50.04' Lt. 78+56.26 1.00 EACH
Total 1 EACH

Inlets, Type A, Type 11 Frame and Grate

38.85' Rt. 78+49.29 1.00 EACH
Total 1 EACH

Combination Concrete Curb and Gutter, Type B-6.24

50.03' Lt. 78+56.76 to 104.36' Lt. 78+58.52 54.36 FEET
Total 54.36 FEET

Connection to Existing Manhole

293.16' Lt. 78+52.41 1.00 EACH
Total 1 EACH

DRAWN	DCR
DATE	
CHECKED	
DATE	
APPROVED	
DATE	
REVISED	
DATE	

SCALES	N/A
--------	-----

4th Street
Plan and Profile

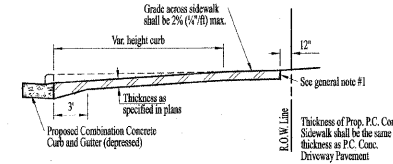
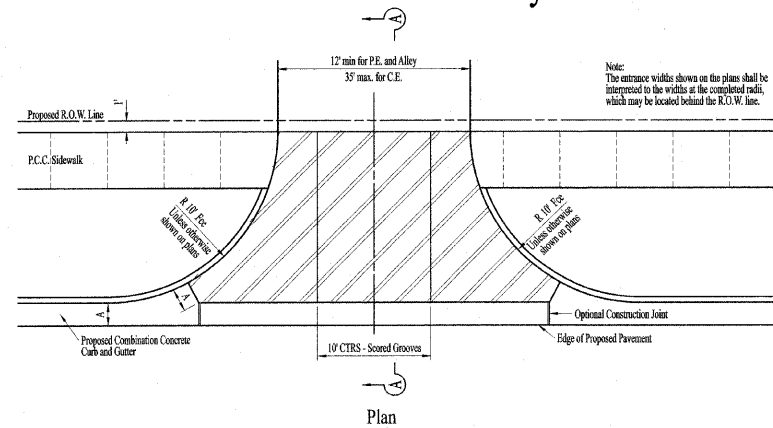
Sheet No.
26
of 57 Sheets

DRAWN	DCR
DATE	
CHECKED	
DATE	
APPROVED	
DATE	
REVISD	
DATE	

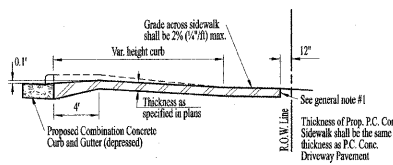
SCALES	N/A
--------	-----

4th Street
Miscellaneous Details

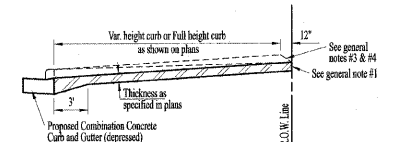
Detail of PCC Driveway



Section A-A with Positive Grade



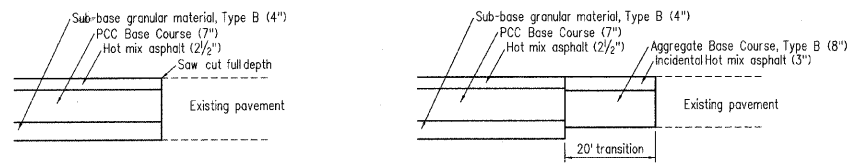
Section A-A with Negative Grade



Section A-A without Sidewalk

General Notes

1. This expansion joint shall be placed only where the proposed PCC Sidewalk or Driveway Pavement meets an existing concrete entrance.
2. The longitudinal curb expansion joint shall conform to section 1051 (751) of the Standard Specifications
3. Driveways that will meet existing or proposed curb near the R.O.W. line shall have the curb sloped as shown above.
4. Driveways that will be constructed with full height curbs and not meeting existing or proposed curbs near the R.O.W. line shall have the curb sloped as shown in Section A-A details.
5. The entrance grades will be as shown on the station cross-sections and as directed by engineer.
6. The PCC Driveway Pavement shall be constructed with scored grooves, as specified in article 422.06 of the Standard Specifications at approximately every other joint, either in the existing sidewalk or the proposed sidewalk.
7. The Combination Concrete Curb and Gutter shall be constructed as shown and will be paid for at the contract unit price per lineal foot for Combination Concrete Curb and Gutter of the type specified in the plans and no additional compensation shall be allowed.
8. Before a change in the method of construction is allowed, the request shall be submitted in writing and must be approved by the engineer.
9. The variable height curb adjacent to the PCC Driveway Pavement shall be constructed monolithic with and included in the area of the PCC Driveway Pavement of the thickness specified in the plans. This work shall be paid for the contract unit price per sq yd for PCC Driveway Pavement of the thickness specified in the plans, including the monolithic curbs as specified, the scored grooves, the longitudinal curb expansion joints, and the additional thickness required adjacent to the depressed Combination Curb and Gutter, and no additional compensation shall be allowed.



Detail "A"
Brick or Concrete streets
Detail "B"
Asphalt or Oil and Chip streets
Detail of side street construction

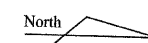
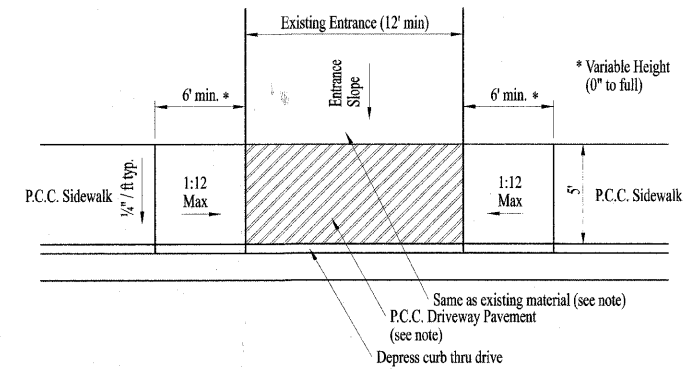
Detail of PCC Driveway

The cost of constructing the Combination Concrete Curb and Gutter across the alley or driveway shall be included in the contract unit price per foot for Combination Concrete Curb and Gutter of the type specified in the plans.

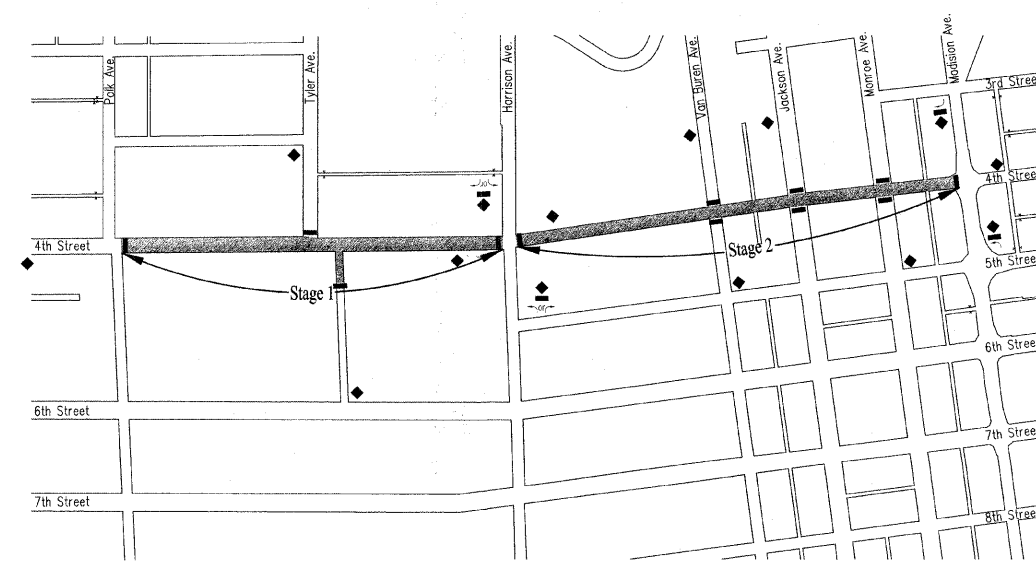
The cost of constructing the P.C.C. Driveway Pavement variable from 6" or 8" to 10 1/2" in a distance of 4 feet as indicated on the detail shall be paid for at the contract unit price per square yard for P.C.C. Driveway Pavement 6" or 8" and no additional compensation shall be allowed.

Where P.C.C. Driveway pavement is constructed abutting existing concrete, driveway pavement shall be sawcut to the lines shown. Cost shall be incidental to P.C.C. driveway pavement of thickness specified.

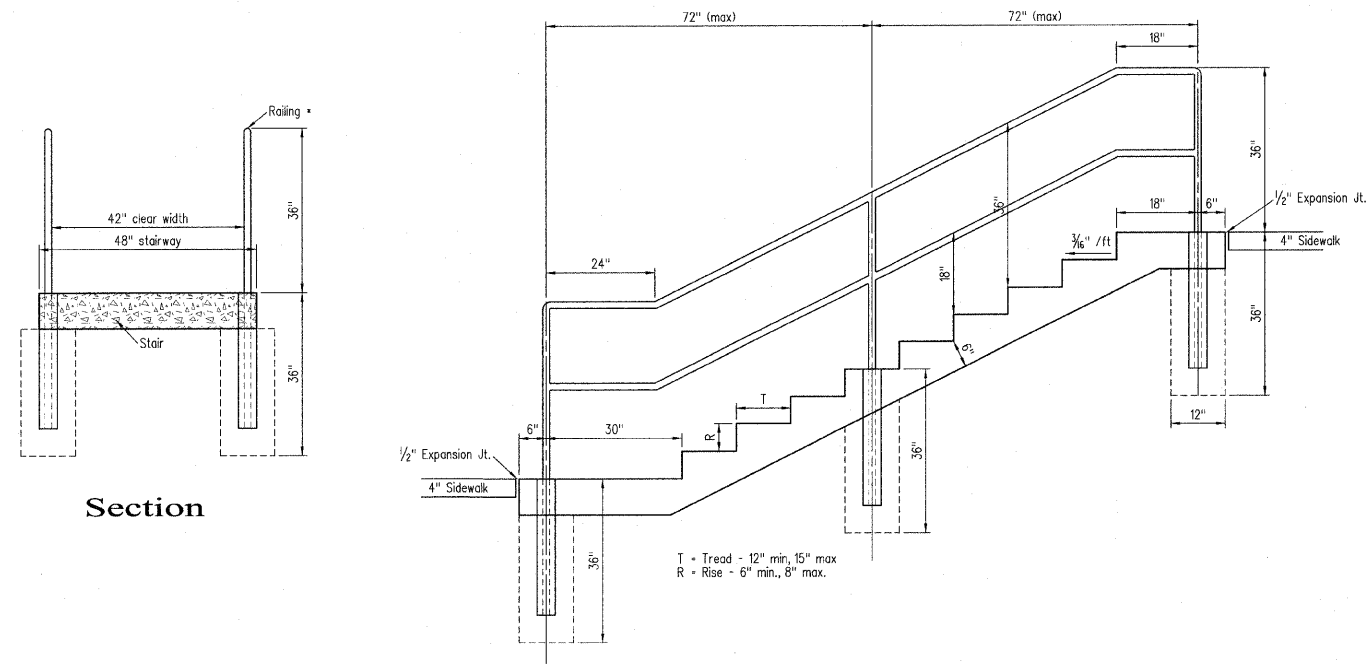
Reconstruction of existing driveway behind sidewalk shall be as shown on the plans or as directed by engineer. Material shall be as follows:
Existing Aggregate - Construct Aggregate Base Course, Type B, 6"
Existing Brick or P.C.C. Pavement - Construct P.C.C. Driveway Pavement, "t"
Existing Hot Mix Asphalt Surface - Construct Aggregate Base Course, Type B, 6" with Incidental Hot Mix Asphalt Surface, 2"



- ◆ "Road Closed Ahead" signs
12 locations
- 2 Each Staggered Wing Barricades with "Road Closed to thru Traffic" signs
12 locations



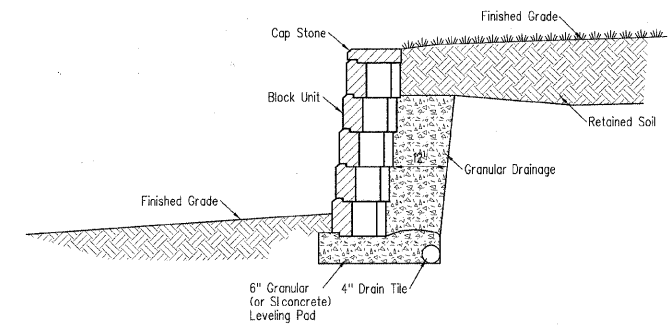
Traffic Control and Protection



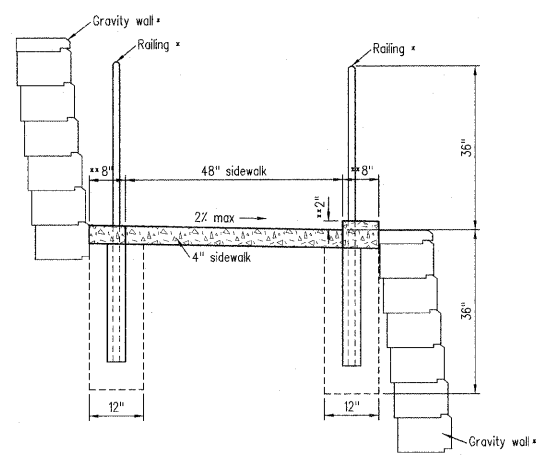
Section

Typical PCC Stairs

T = Tread - 12" min, 15" max
R = Rise - 6" min, 8" max

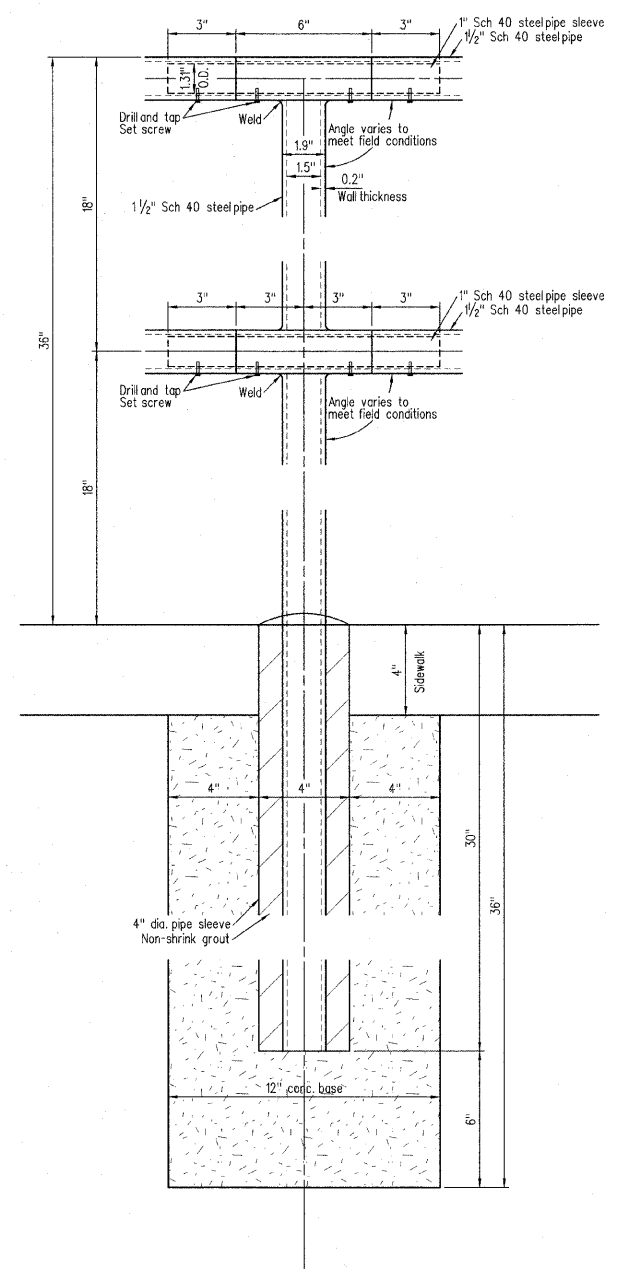


Segmental Concrete Block Wall



* See plans for locations on railings and gravity walls
** Additional width and 2" curb included in sidewalk - no additional compensation allowed.

Accessible ramp detail



Typical Railing detail

DCR	DATE	DESCRIPTION

SCALES	N/A

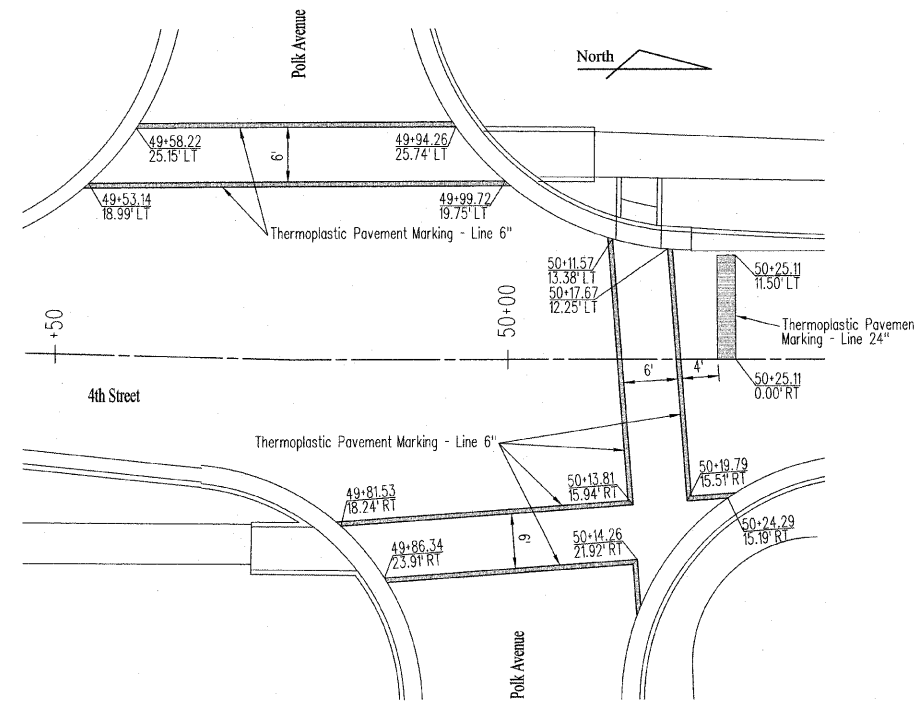
4th Street
Miscellaneous details

Sheet No.
28
of 57 Sheets

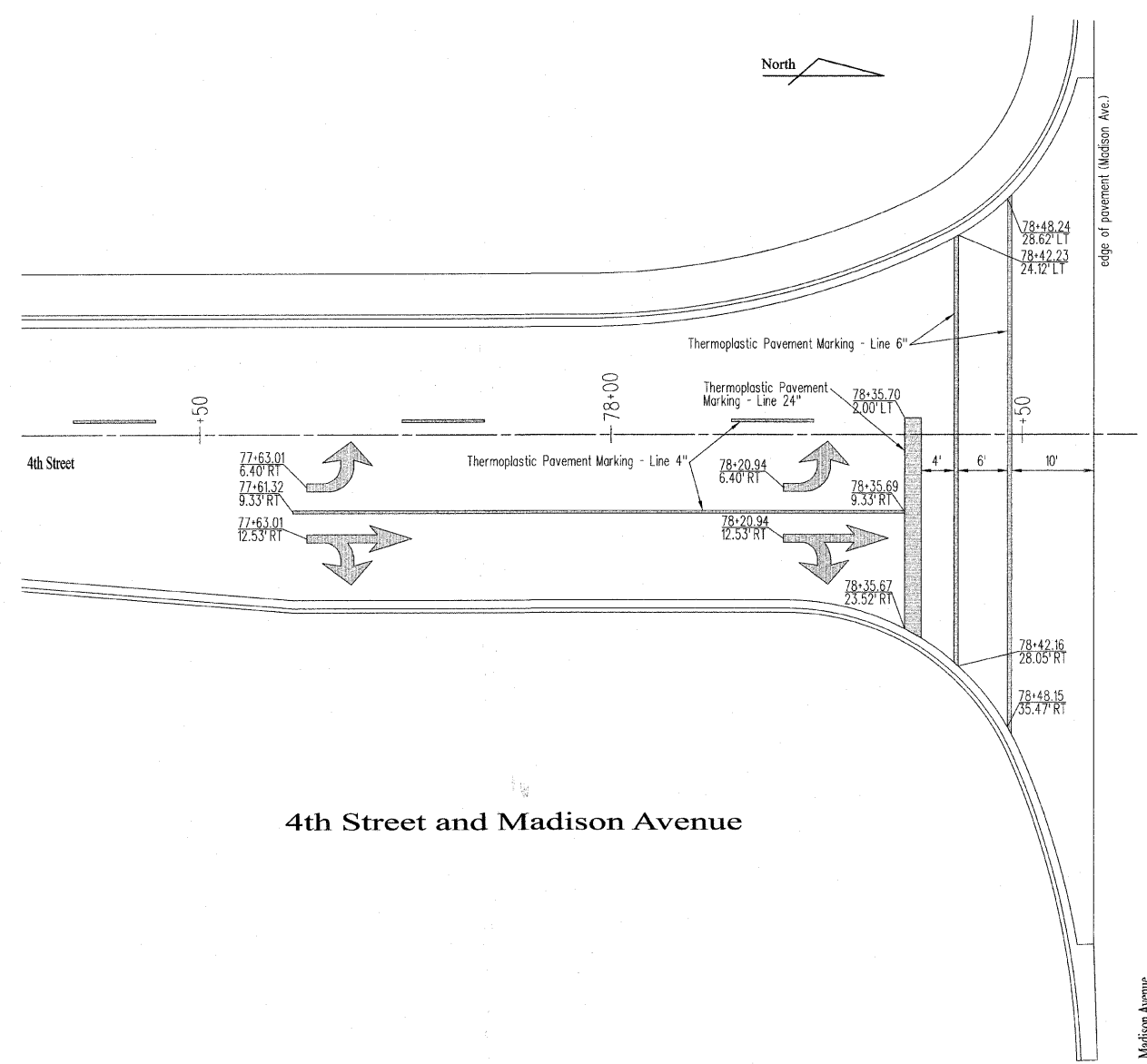
CSI CONSOLIDATED SERVICES INC.
of Coles County

ENGINEERING - SURVEYING - CONSTRUCTION MANAGEMENT
520 Jackson Avenue - P.O. Box 644 - Charleston, Illinois - 61920 - (217) 346-9511

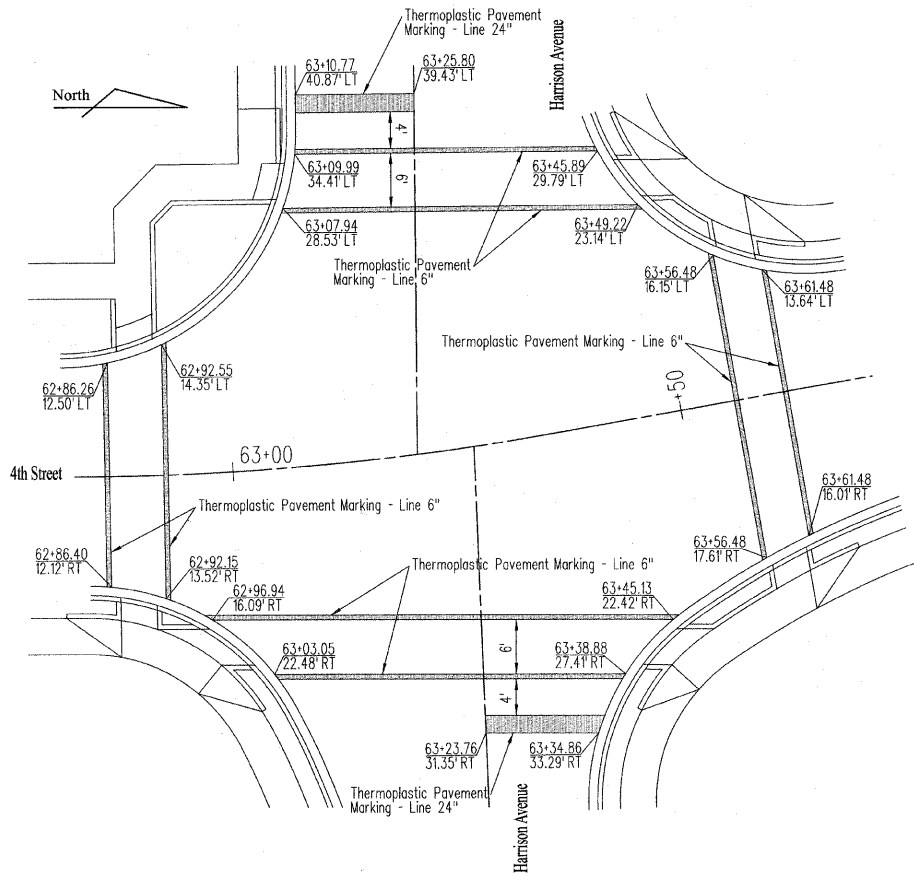
CSI File #0376-06-06



4th Street and Polk Avenue



4th Street and Madison Avenue



4th Street and Harrison Avenue

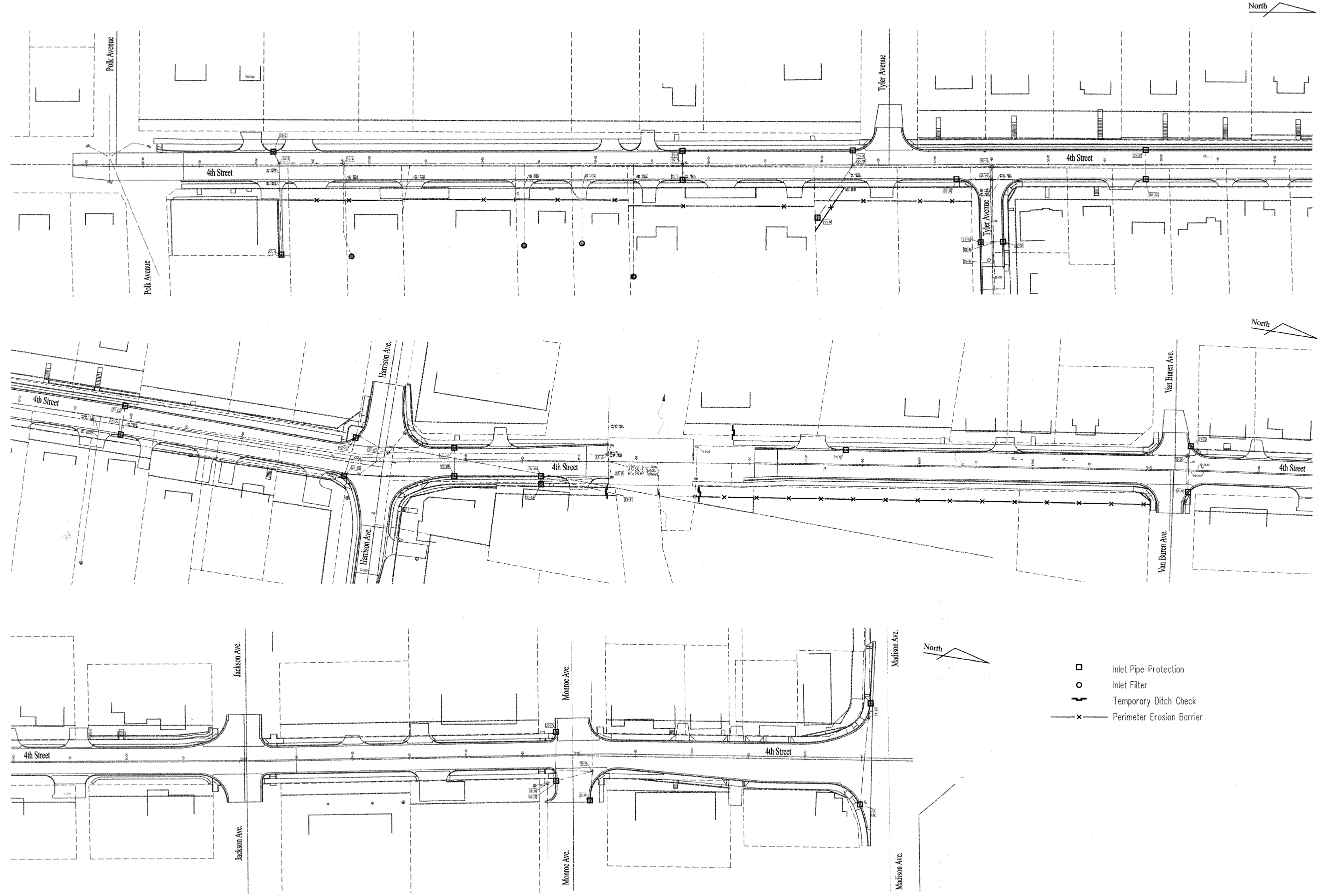
SCALE	DCR
N/A	DRAWN
	CHECKED
	APPROVED
	REVISED
	DATE
	DATE
	DATE
	DATE

**4th Street
Intersection
Striping Details**

Sheet No.
29
of 57 Sheets

CSI CONSOLIDATED SERVICES INC.
of Coles County

ENGINEERING - SURVEYING - CONSTRUCTION MANAGEMENT
520 Jackson Avenue - P.O. Box 644 - Charleston, Illinois - 61920 - (217) 345-9511



- Inlet Pipe Protection
- Inlet Filter
- ┌ Temporary Ditch Check
- x— Perimeter Erosion Barrier

SCALES	DCR
N/A	DRAWN DATE
	CHECKED DATE
	APPROVED DATE
	REVISED DATE

4th Street
Erosion Control Plan

Sheet No.
30
of 57 Sheets

Storm Water Pollution Prevention Plan – General Notes

1. Perimeter Erosion Barrier shall be Silt fence or Triangular Silt Dike in accordance with Illinois Department of Transportation Highway Standard 280001.
2. Ditch erosion checks shall be Silt Fence, Straw Bales or Triangular Silt Dike in accordance with Illinois Department of Transportation Highway Standard 280001.
3. Actual placement locations of temporary erosion control items are minimums.
4. Contractor shall inspect erosion control items weekly and after each storm event, and add or adjust erosion controls as necessary to insure compliance.
5. Total seeding area = 1.23 Acres
6. Temporary erosion control measures shall remain in place until erosion has stabilized and adequate vegetation is restored.

Sequence of Construction

1. Placement of temporary perimeter erosion control as necessary prior to the commencement of any work – See Erosion Control Plan details.
2. Install storm sewers.
3. Placement and maintenance of associated temporary erosion controls.
4. Construct improvements – temporary seeding as necessary.
5. Final grading and seeding/mulch
6. Removal and proper cleanup of temporary erosion control

Temporary Ditch Checks

26.54' Rt.65+24.19	1.00 EACH
27.75' Rt.66+06.54	1.00 EACH
27.65' Lt.66+35.27	1.00 EACH

Total 3 EACH

Perimeter Erosion Barrier

30.13' Rt.51+28.70 to 30.70' Rt.52+06.70	80.90 FEET
29.97' Rt.52+76.34 to 30.28' Rt.53+29.80	53.50 FEET
30.35' Rt.53+41.61 to 30.59' Rt.53+84.72	43.10 FEET
30.63' Rt.53+92.15 to 30.84' Rt.54+28.79	36.60 FEET
35.85' Rt.54+28.92 to 35.92' Rt.54+41.21	12.30 FEET
35.98' Rt.54+52.82 to 36.13' Rt.54+78.89	26.10 FEET
36.49' Rt.55+41.89 to 36.65' Rt.55+69.74	27.80 FEET
58.14' Rt.55+94.44 to 31.89' Rt.56+12.10	31.60 FEET
31.89' Rt.56+12.10 to 32.06' Rt.56+43.02	30.90 FEET
32.17' Rt.56+62.09 to 32.57' Rt.57+32.05	70.00 FEET
30.00' Rt.66+03.66 to 30.00' Rt.70+04.29	400.60 FEET

Total 813.4 FEET

Inlet and Pipe Protection

12.74' Lt.51+15.22	1.00 EACH
78.10' Rt.51+22.21	1.00 EACH
12.74' Rt.54+76.89	1.00 EACH
12.74' Lt.54+76.89	1.00 EACH
46.57' Rt.55+96.20	1.00 EACH
12.74' Lt.56+27.30	1.00 EACH
12.74' Rt.57+19.03	1.00 EACH
68.69' Rt.57+40.19	1.00 EACH
68.18' Rt.57+60.16	1.00 EACH
12.74' Rt.58+86.18	1.00 EACH
12.74' Lt.58+86.18	1.00 EACH
12.74' Lt.60+93.48	1.00 EACH
12.74' Rt.60+93.72	1.00 EACH
15.22' Rt.62+94.12	1.00 EACH
19.74' Lt.63+00.02	1.00 EACH
12.74' Rt.63+89.67	1.00 EACH
12.74' Lt.63+89.67	1.00 EACH
12.74' Rt.64+66.25	1.00 EACH
20.00' Rt.64+66.25	1.00 EACH
13.74' Lt.67+35.02	1.00 EACH
18.37' Rt.70+38.02	1.00 EACH
22.20' Lt.70+39.68	1.00 EACH
22.01' Rt.75+79.59	1.00 EACH
21.00' Lt.75+80.05	1.00 EACH
39.12' Rt.76+10.16	1.00 EACH
38.94' Rt.78+49.08	1.00 EACH
50.02' Lt.78+57.03	1.00 EACH

Total 27 EACH

Inlet Filters

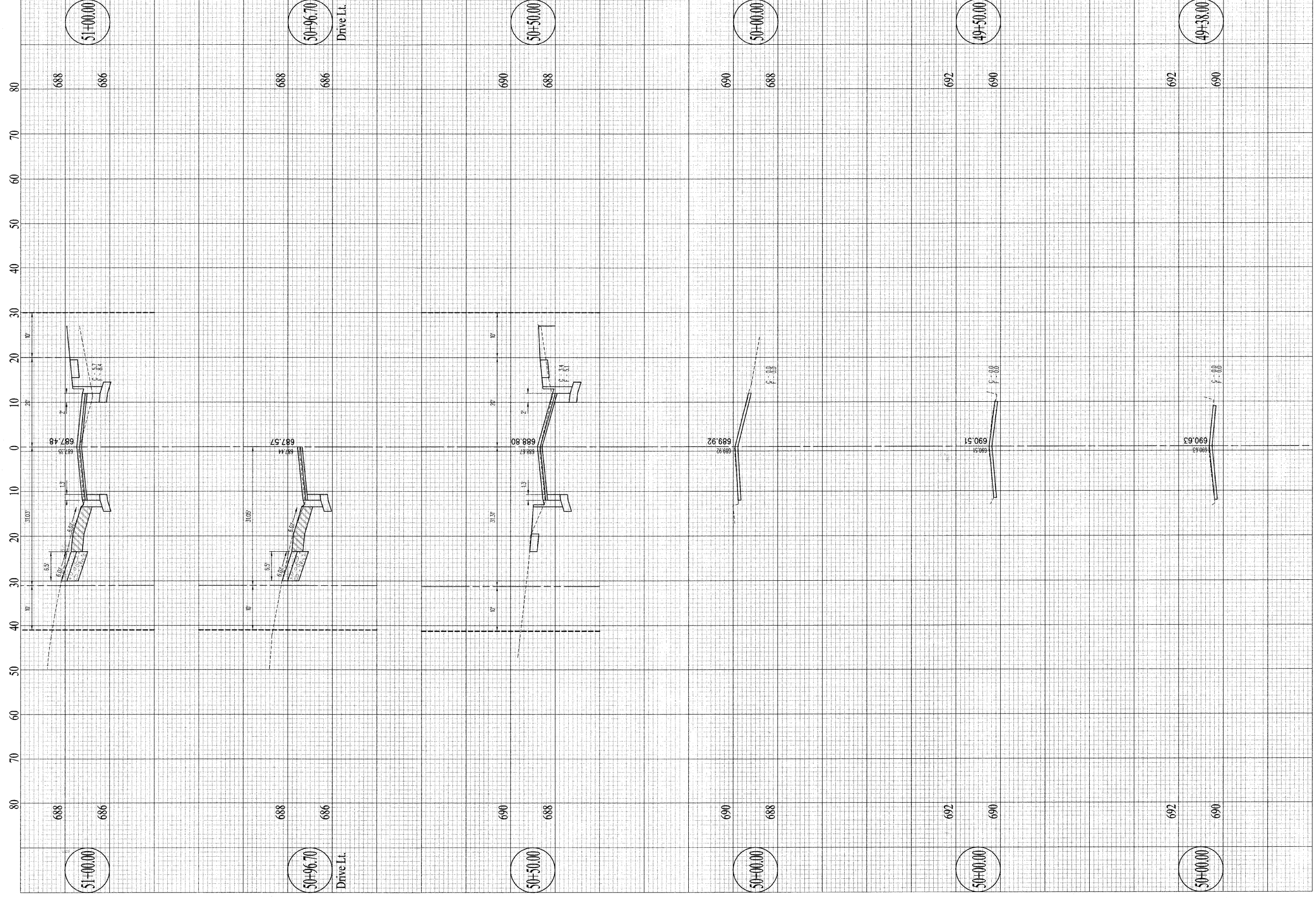
79.86' Rt.51+84.21	1.00 EACH
70.68' Rt.53+36.88	1.00 EACH
68.91' Rt.53+87.97	1.00 EACH
98.02' Rt.54+33.61	1.00 EACH

Total 4 EACH

DCR	DRAWN	CHECKED	APPROVED	REVISED
	DATE	DATE	DATE	DATE

SCALES	1" = 40'
--------	----------

**4th Street
Erosion Control Plan**



Contract #95539

CSI CONSOLIDATED SERVICES INC.
of Coles County Illinois Professional Design Firm #1257
ENGINEERING - SURVEYING - CONSTRUCTION MANAGEMENT
520 Jackson Avenue - P.O. Box 644 - Charleston, Illinois - 61920 - (217) 345-9511
CSI File #3378-06-06

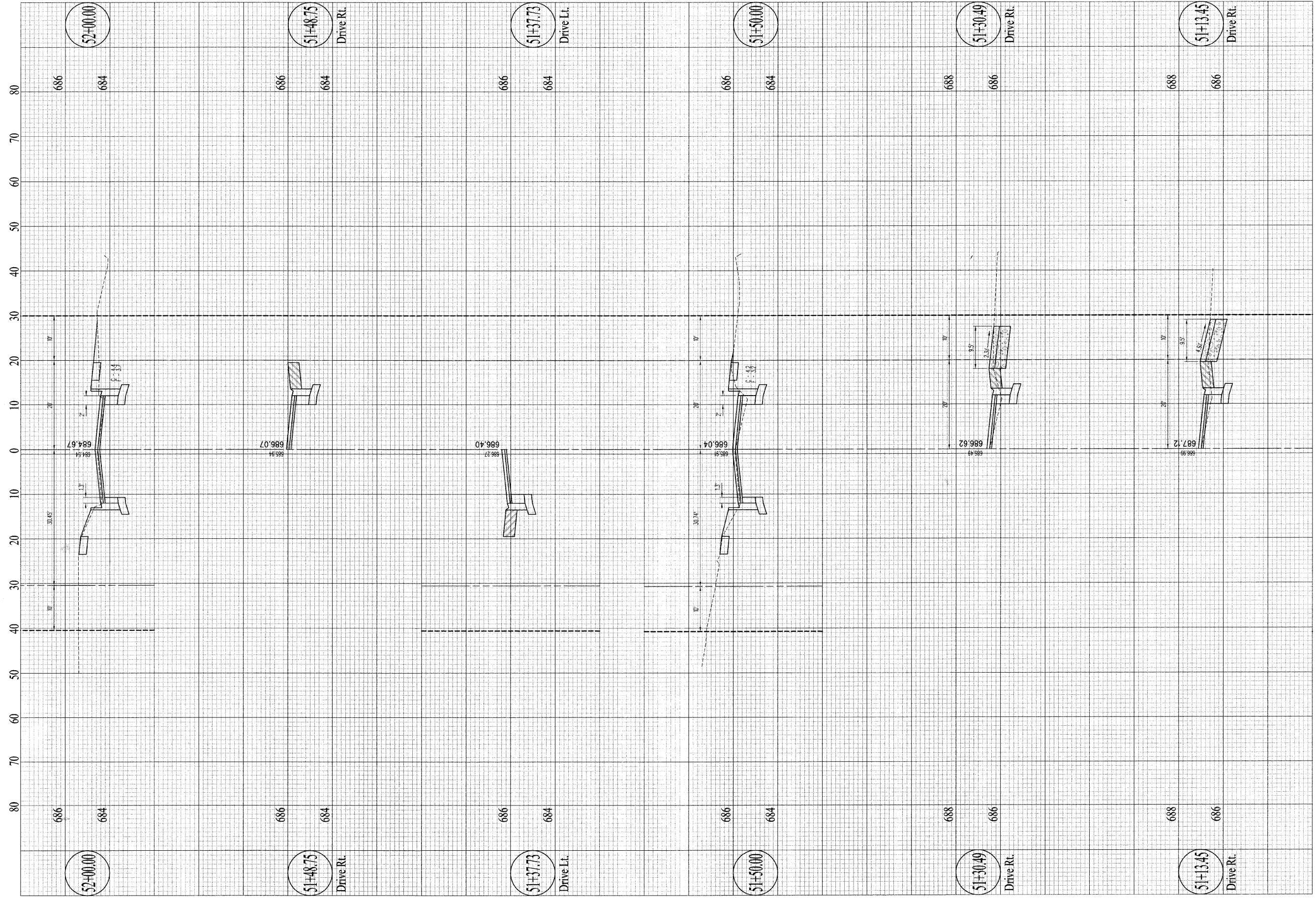
DRAWN DATE	DCR
CHECKED DATE	
APPROVED DATE	
REVISED DATE	

SCALES
Horizontal: 1" = 10'
Vertical: 1" = 2'

4th Street

Cross Sections

Sheet No.
32
of 57 Sheets



Contract #95539

CSI CONSOLIDATED SERVICES INC.
of Coles County

ENGINEERING - SURVEYING - CONSTRUCTION MANAGEMENT
520 Jackson Avenue - P.O. Box 644 - Charleston, Illinois - 61920 - (217) 345-9511

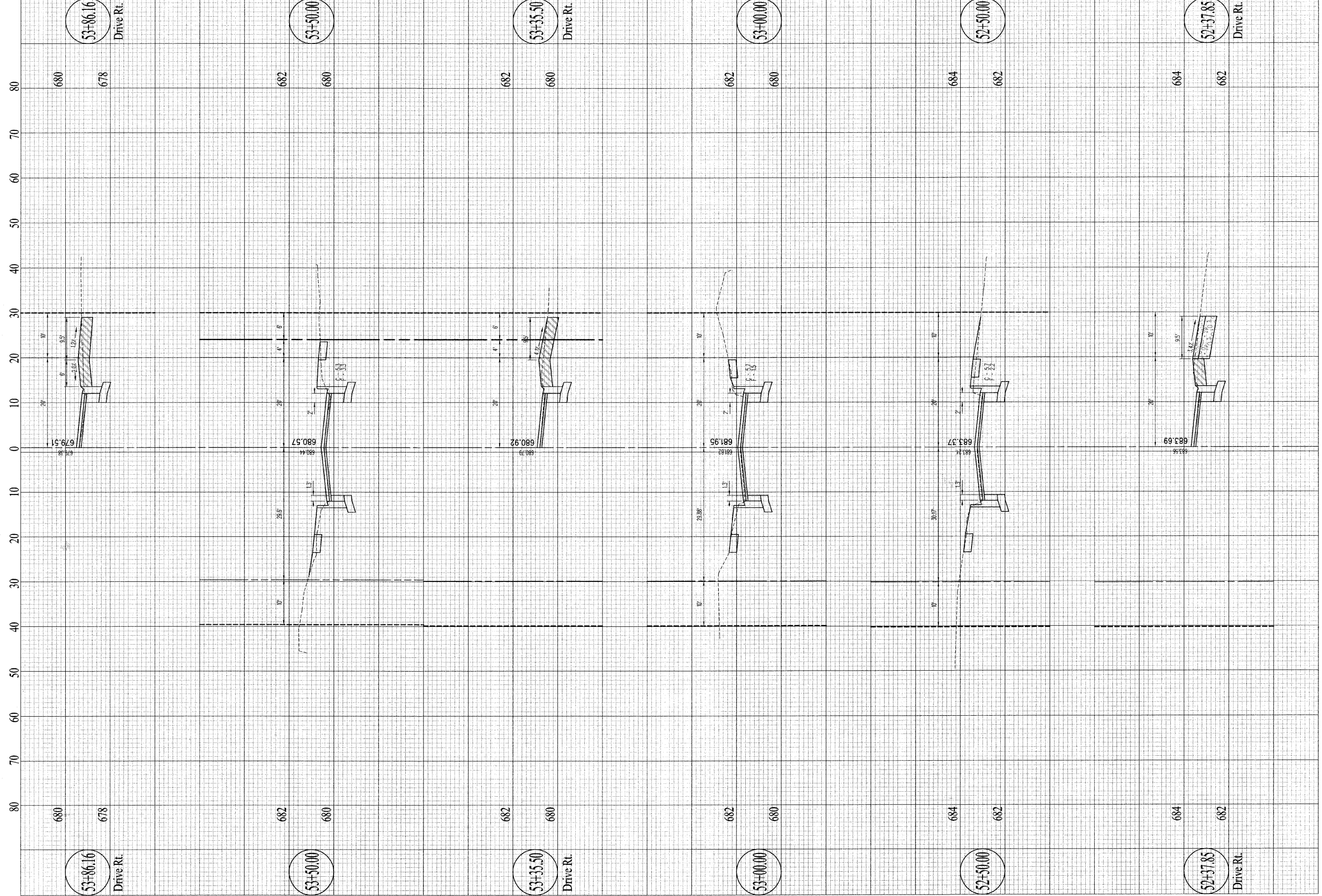
DRAWN	DCR
DATE	
CHECKED	
DATE	
APPROVED	
DATE	
REVISED	
DATE	

SCALES
Horizontal: 1" = 10'
Vertical: 1" = 2'

4th Street

Cross Sections

Sheet No.
33
of 57 Sheets



Contract #95539

CSI CONSOLIDATED SERVICES INC.
of Coles County

ENGINEERING - SURVEYING - CONSTRUCTION MANAGEMENT
520 Jackson Avenue - P.O. Box 644 - Charleston, Illinois - 61920 - (217) 345-9511

DRAWN	DCR
DATE	
CHECKED	
DATE	
APPROVED	
DATE	
REVISED	
DATE	

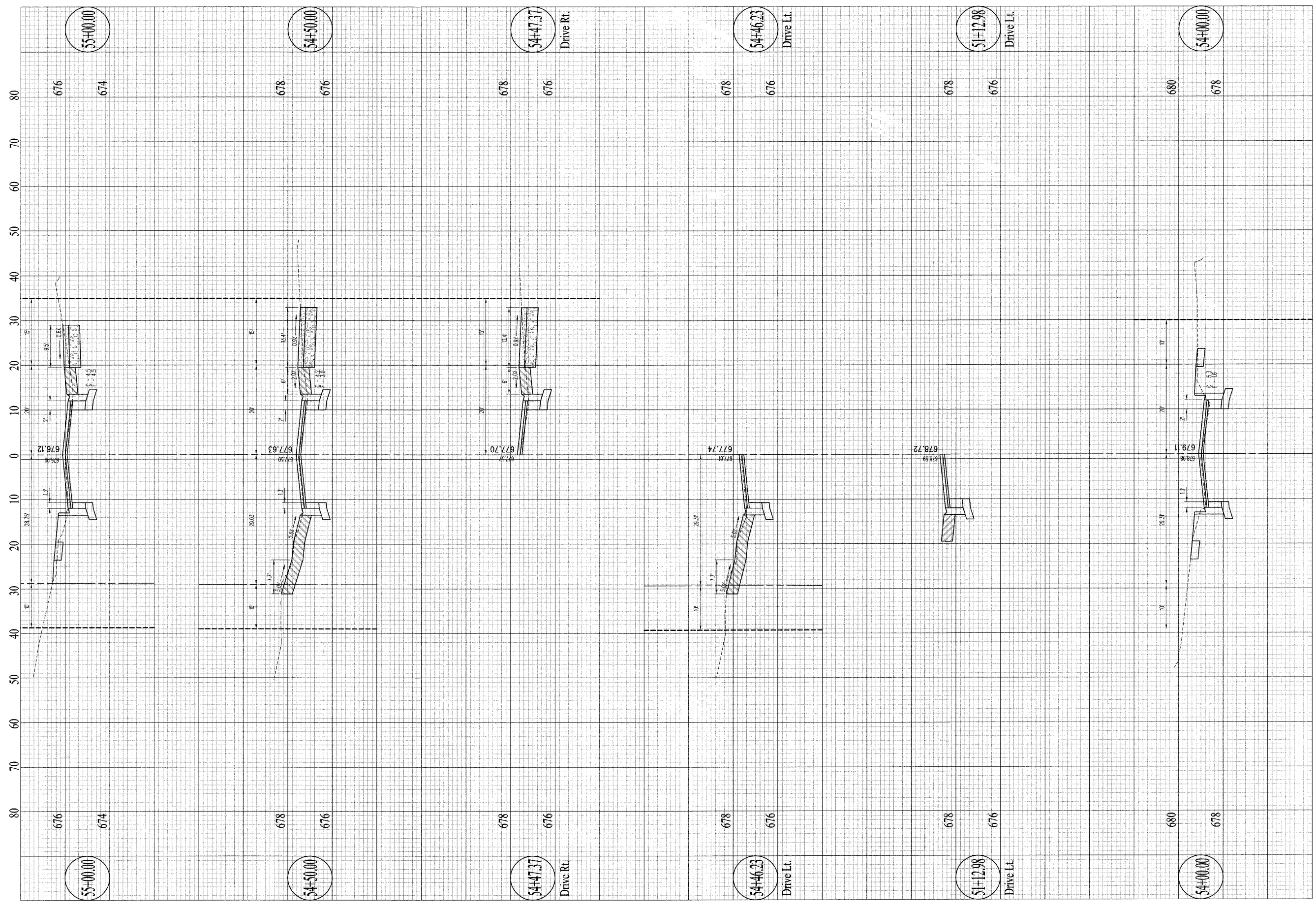
SCALES

Horizontal: 1" = 10'
Vertical: 1" = 2'

4th Street

Cross Sections

Sheet No.
34
of 57 Sheets



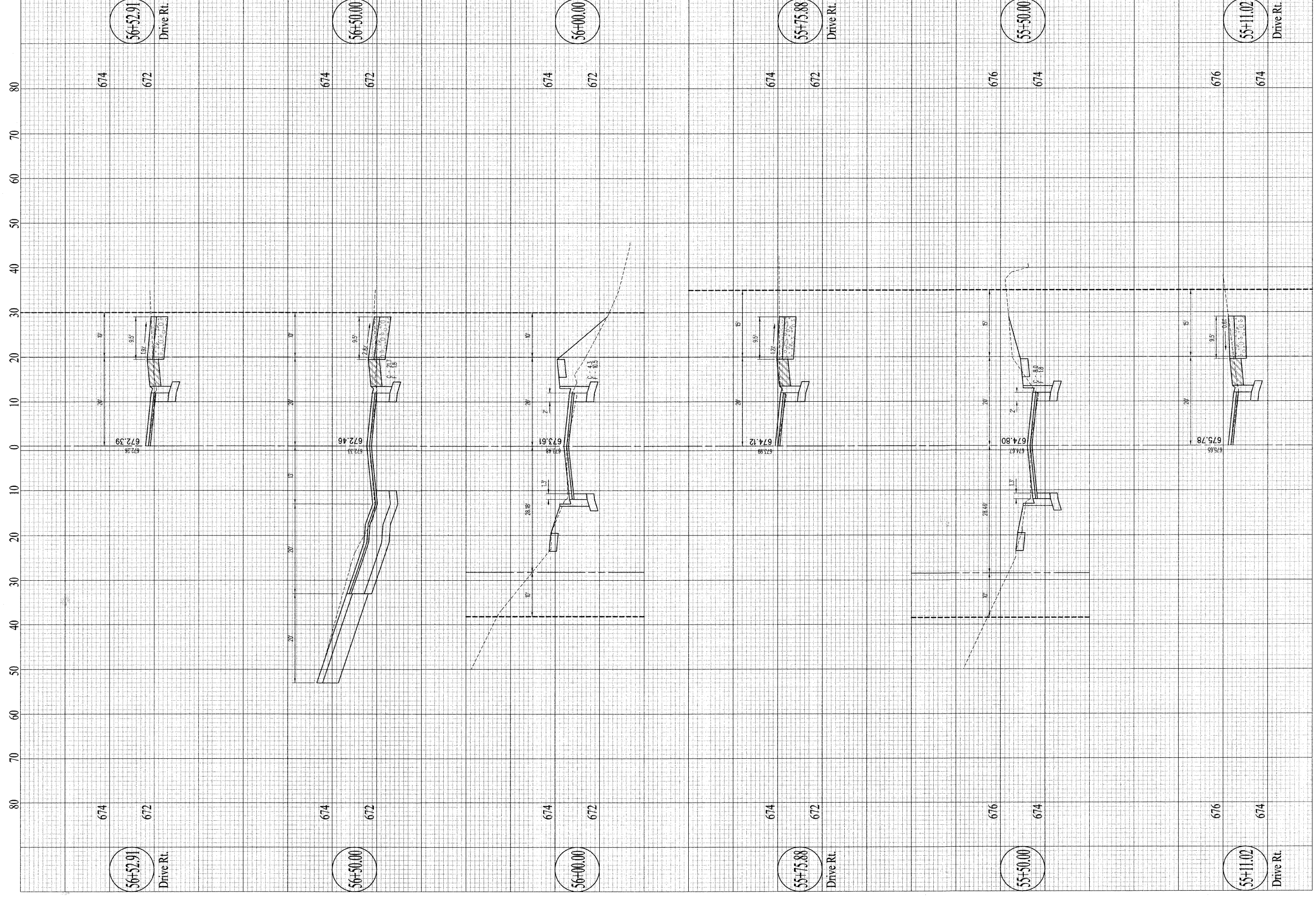
DRAWN	DCR
DATE	
CHECKED	
DATE	
APPROVED	
DATE	
REVISED	
DATE	

SCALES
Horizontal: 1" = 10'
Vertical: 1" = 2'

4th Street

Cross Sections

Sheet No.
35
of 57 Sheets



Contract #95539

CSI CONSOLIDATED SERVICES INC.
of Coles County
ENGINEERING - SURVEYING - CONSTRUCTION MANAGEMENT
520 Jackson Avenue - P.O. Box 644 - Charleston, Illinois - 61920 - (217) 345-9511
CSI File #3378-06-05

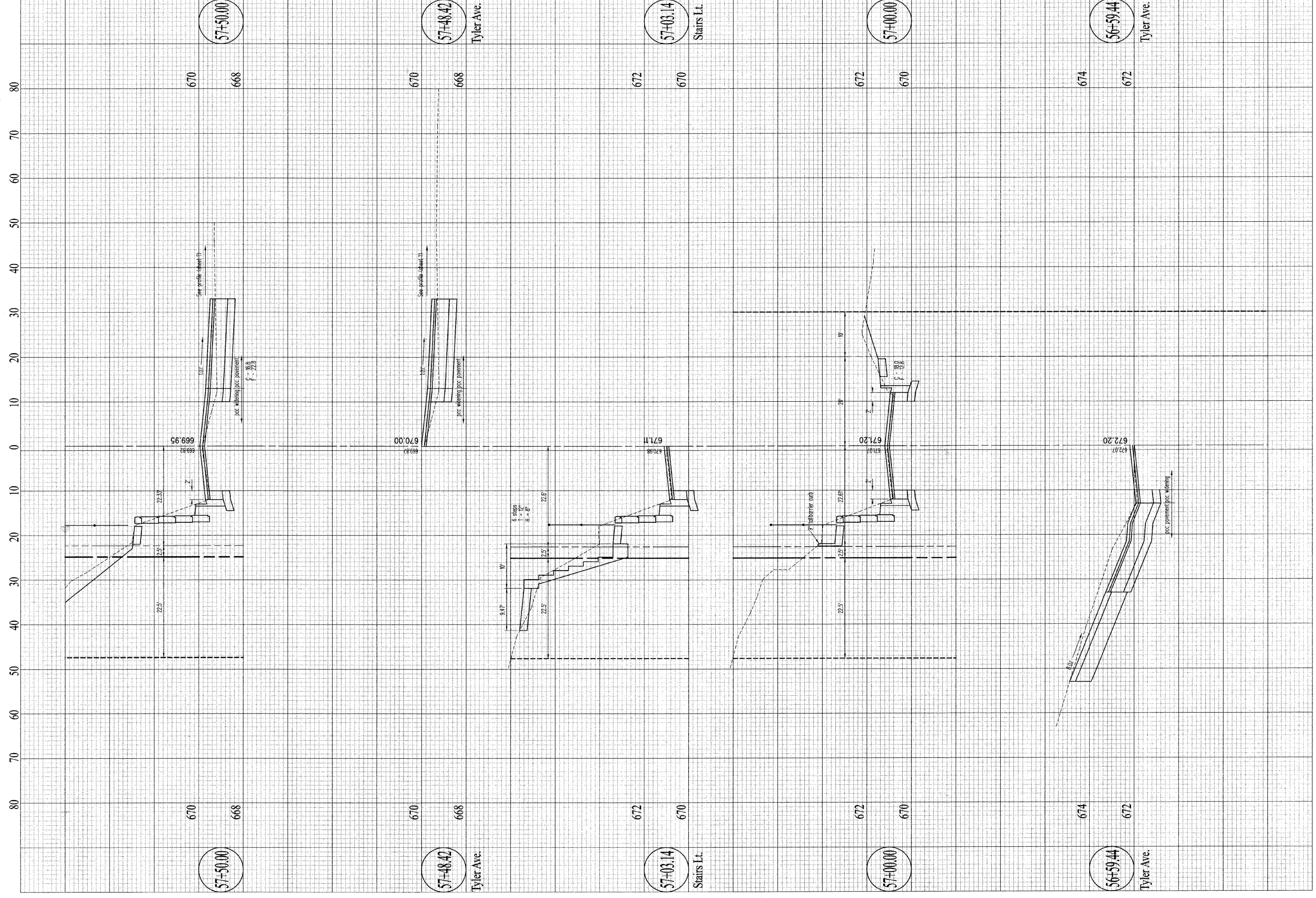
DRAWN	DCR
CHECKED	
APPROVED	
REVISION	

SCALES
Horizontal: 1" = 10'
Vertical: 1" = 2'

4th Street

Cross Sections

Sheet No.
36
of 57 Sheets



Contract #95539

CSI CONSOLIDATED SERVICES INC.
of Coles County
ENGINEERING - SURVEYING - CONSTRUCTION MANAGEMENT
520 Jackson Avenue - P.O. Box 644 - Charleston, Illinois - 61920 - (217) 345-9511
CSI File #3378-06-06

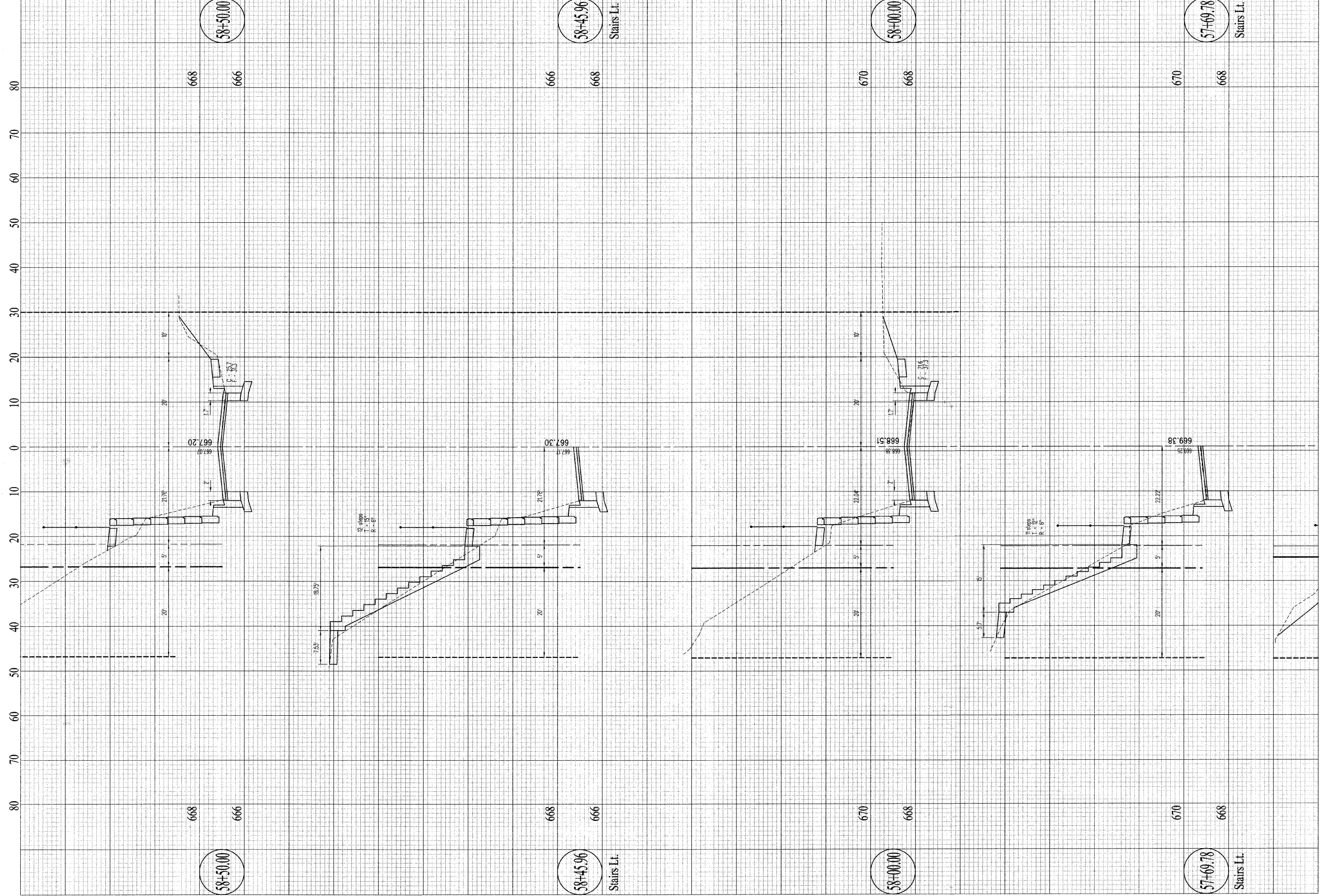
DRAWN	DCR
DATE	
CHECKED	
DATE	
APPROVED	
DATE	
REVISED	
DATE	

SCALES
Horizontal: 1" = 10'
Vertical: 1" = 2'

4th Street

Cross Sections

Sheet No.
37
of 57 Sheets



Contract #95539

CSI CONSOLIDATED SERVICES INC.
of Coles County

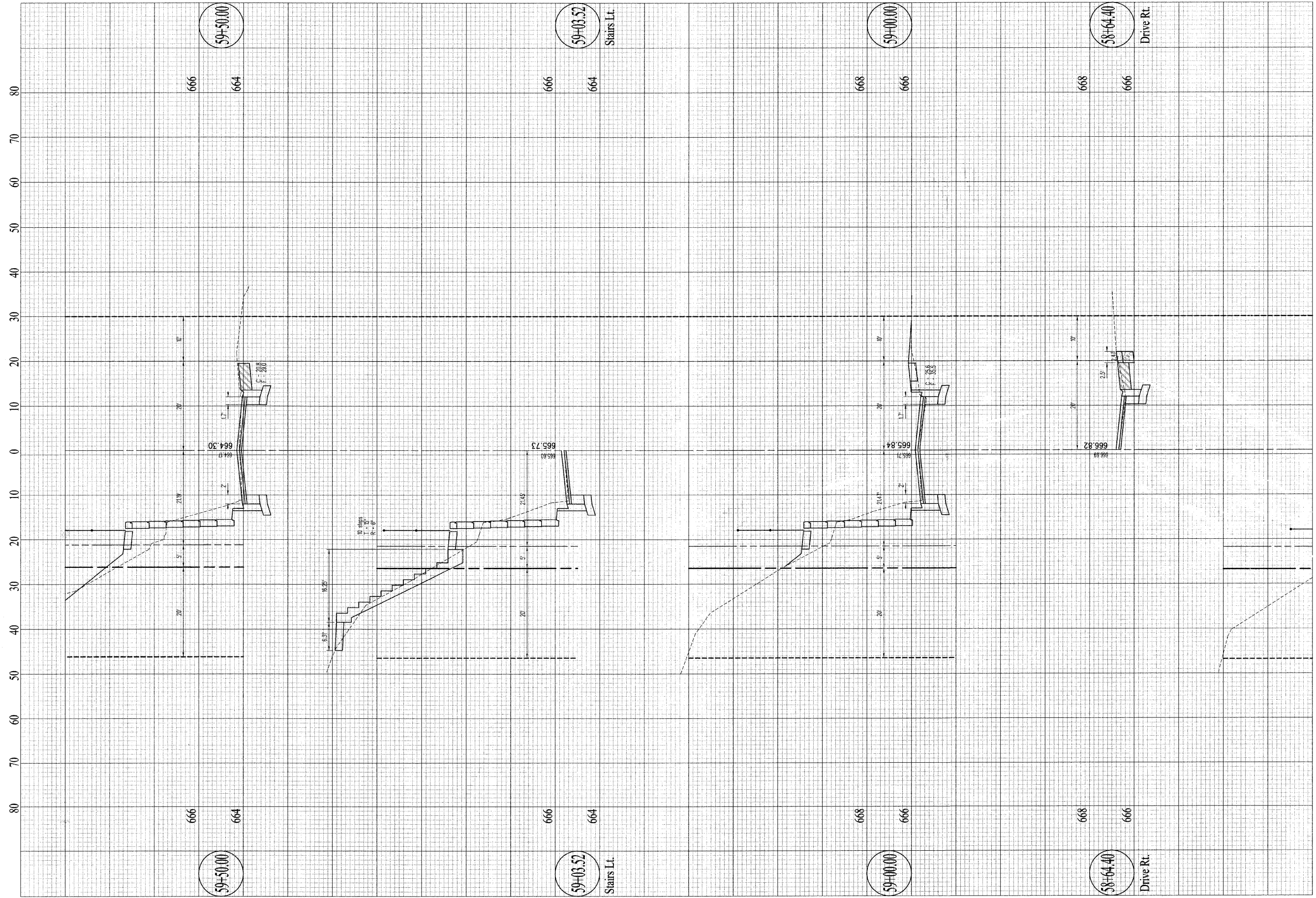
ENGINEERING - SURVEYING - CONSTRUCTION MANAGEMENT
520 Jackson Avenue - P.O. Box 644 - Charleston, Illinois - 61920 - (217) 345-9511
CSI File #2378-06-02

DRAWN	DCR
DATE	
CHECKED	
DATE	
APPROVED	
DATE	
REVISED	
DATE	

SCALES
Horizontal: 1" = 10'
Vertical: 1" = 2'

4th Street
Cross Sections

Sheet No.
38
of 57 Sheets



Contract #95539

CSI CONSOLIDATED SERVICES INC.
of Coles County
ENGINEERING - SURVEYING - CONSTRUCTION MANAGEMENT
520 Jackson Avenue - P.O. Box 644 - Charleston, Illinois - 61920 - (217) 345-9511
CSI File #3318-06-05

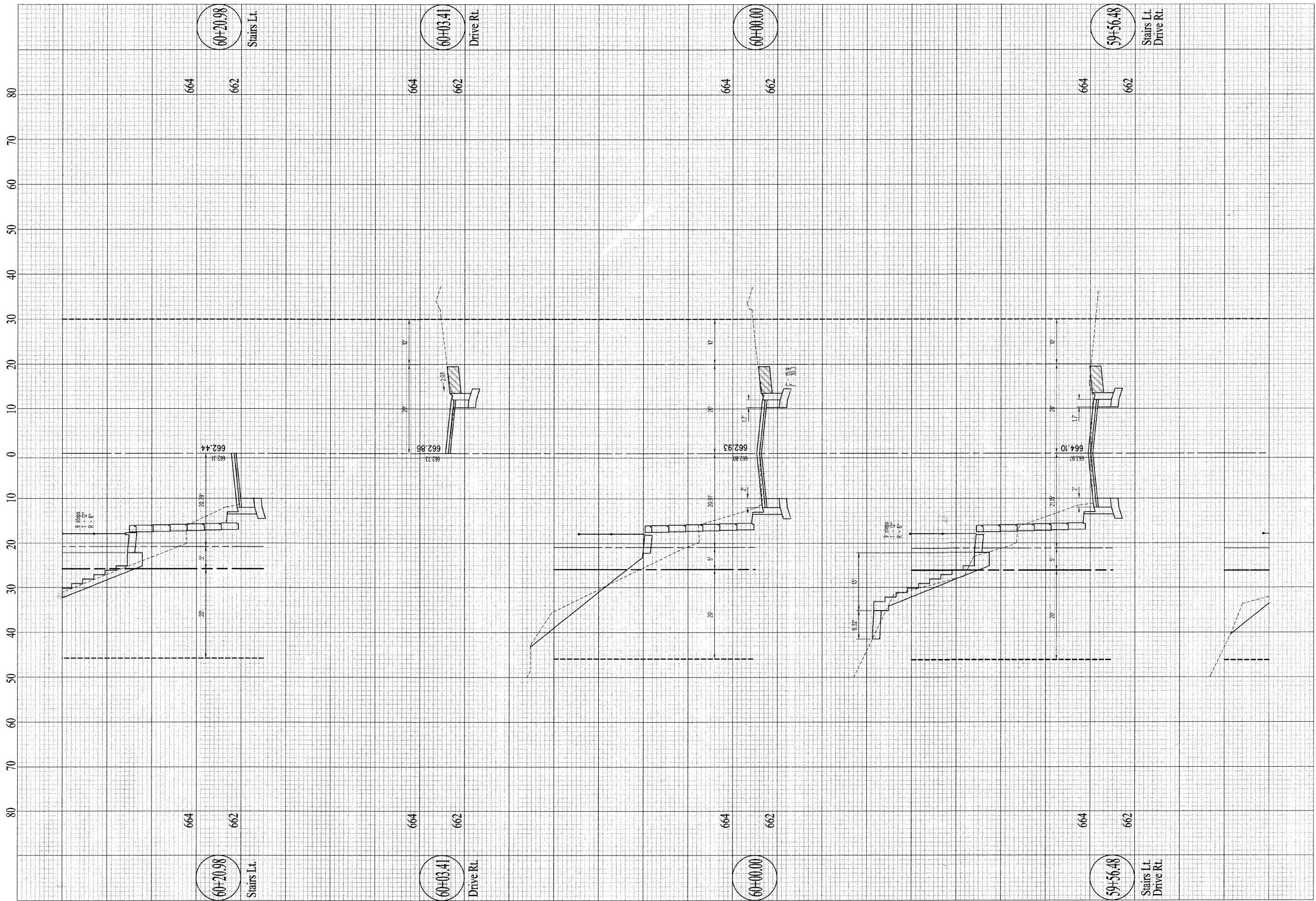
DRAWN DATE	DCR
CHECKED DATE	
APPROVED DATE	
REVISED DATE	

SCALES
Horizontal: 1" = 10'
Vertical: 1" = 2'

4th Street

Cross Sections

Sheet No.
39
of 57 Sheets

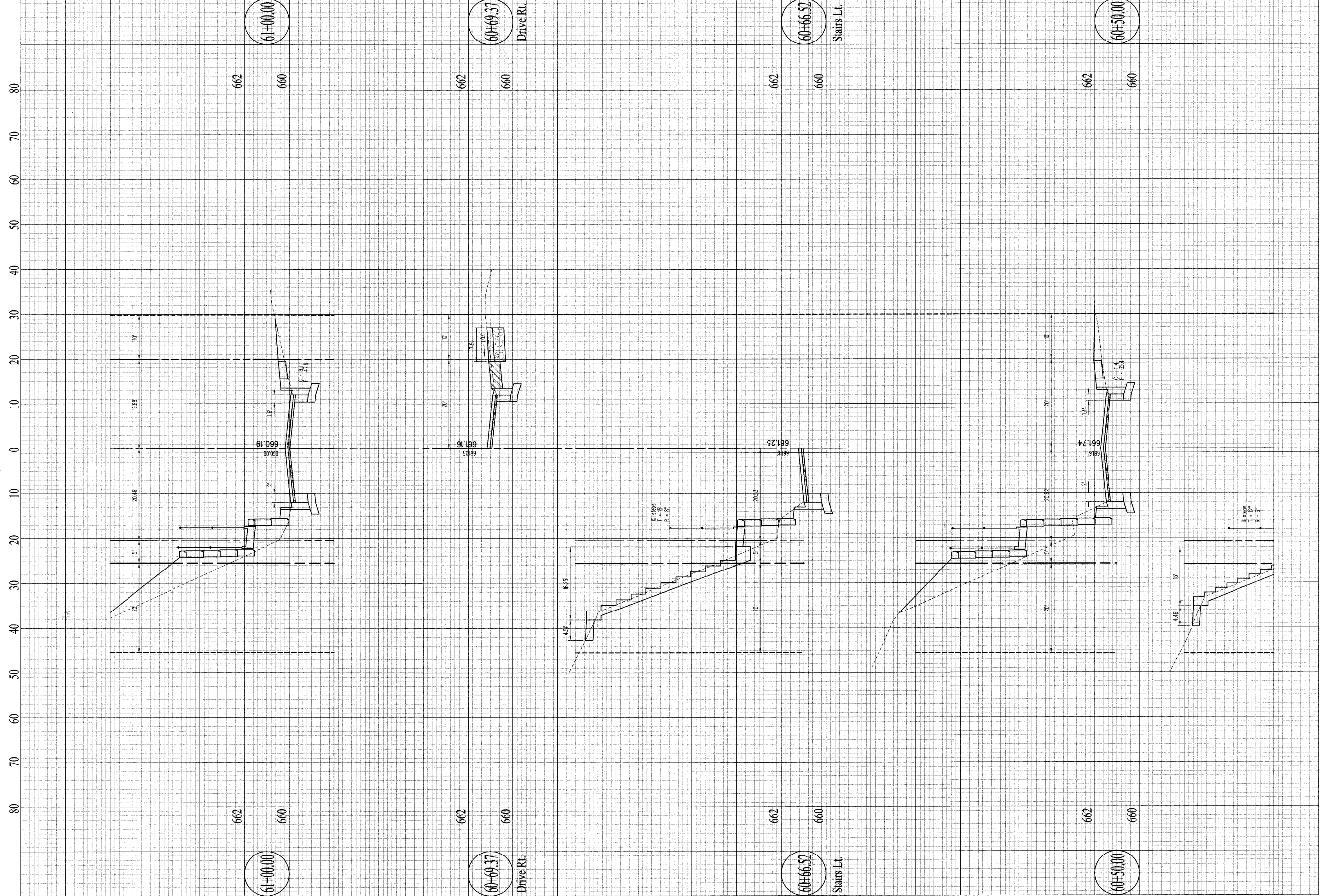


SCALE	DATE	BY
DRAWN	DATE	DCR
CHECKED	DATE	
APPROVED	DATE	
REVISED	DATE	

SCALES
Horizontal: 1" = 10'
Vertical: 1" = 2'

4th Street

Cross Sections



Contract #95539

CSI CONSOLIDATED SERVICES INC.
of Coles County

ENGINEERING - SURVEYING - CONSTRUCTION MANAGEMENT
520 Jackson Avenue - P.O. Box 644 - Charleston, Illinois - 61920 - (217) 345-9511
CSI File #3378-06-06

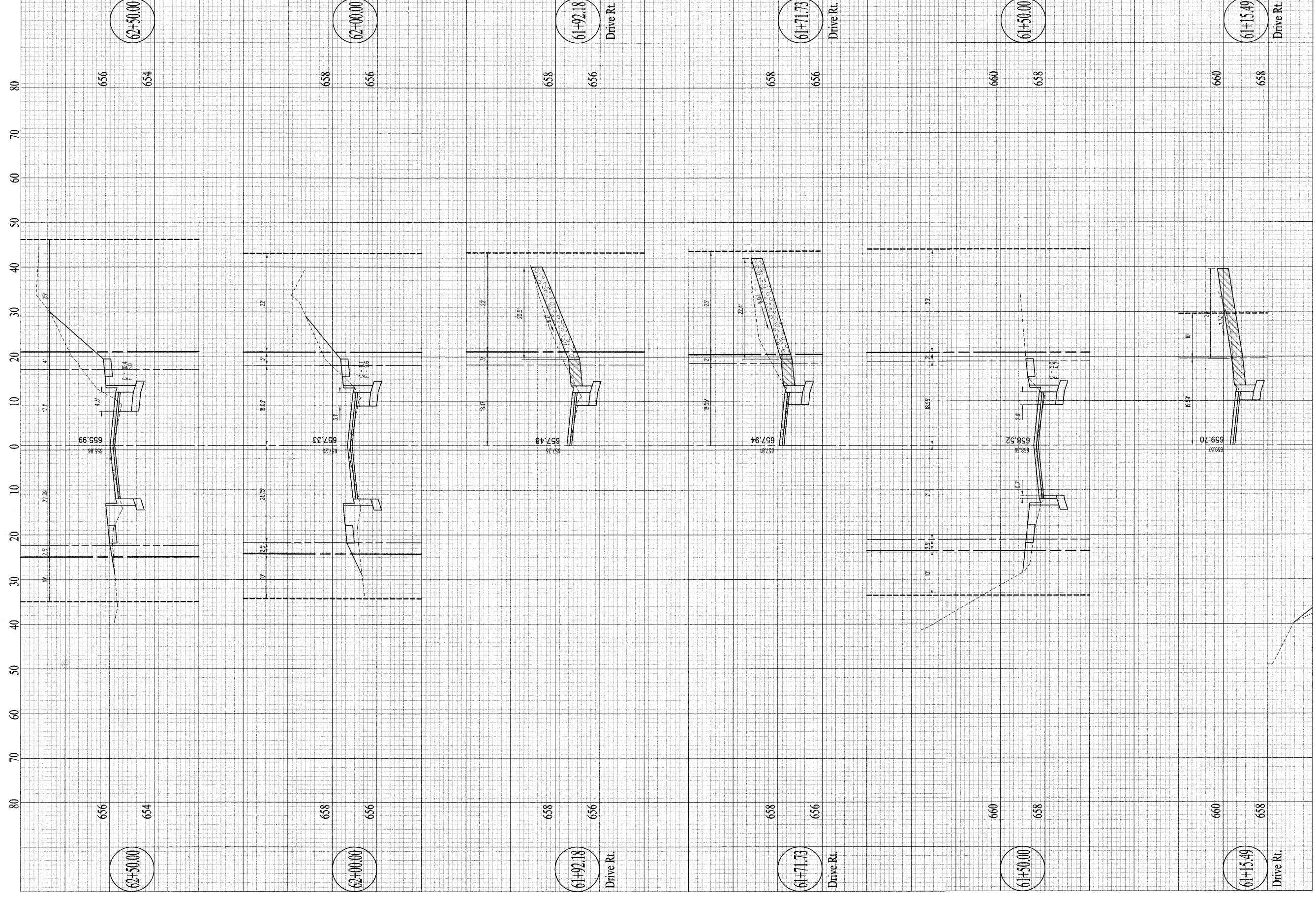
SCALE	DRAWN DATE	DCR
Horizontal: 1" = 10'	CHECKED DATE	
Vertical: 1" = 2'	APPROVED DATE	
	REVISED DATE	

Horizontal: 1" = 10'
Vertical: 1" = 2'

4th Street

Cross Sections

Sheet No.
41
of 57 Sheets



Contract #95539

CSI CONSOLIDATED SERVICES INC.
of Coles County

ENGINEERING - SURVEYING - CONSTRUCTION MANAGEMENT
520 Jackson Avenue - P.O. Box 644 - Charleston, Illinois - 61920 - (217) 345-9511

DRAWN	DCR
DATE	
CHECKED	
DATE	
APPROVED	
DATE	
REVISED	
DATE	

SCALES
Horizontal: 1" = 10'
Vertical: 1" = 2'

4th Street

Cross Sections

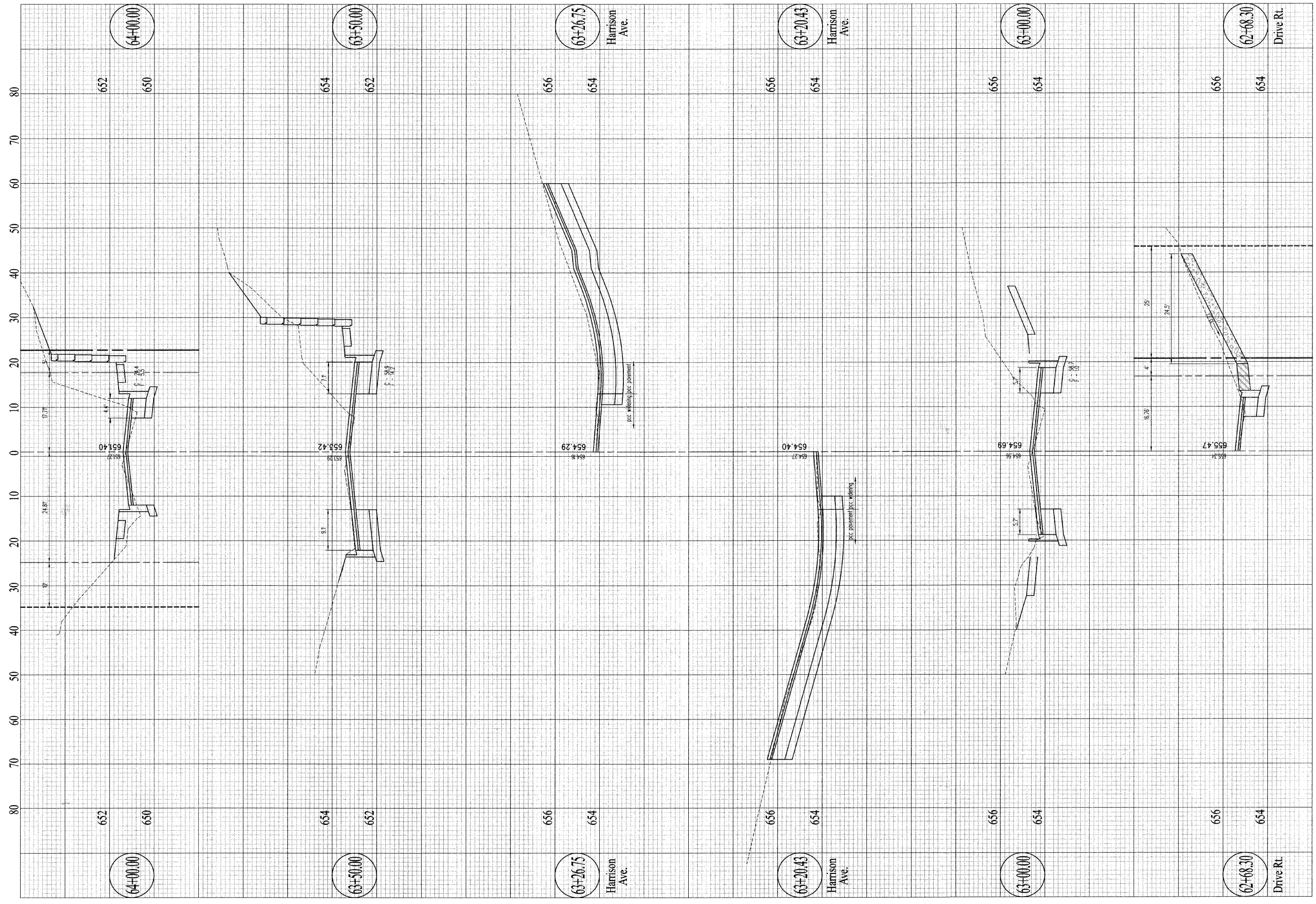
Sheet No.
42
of 57 Sheets

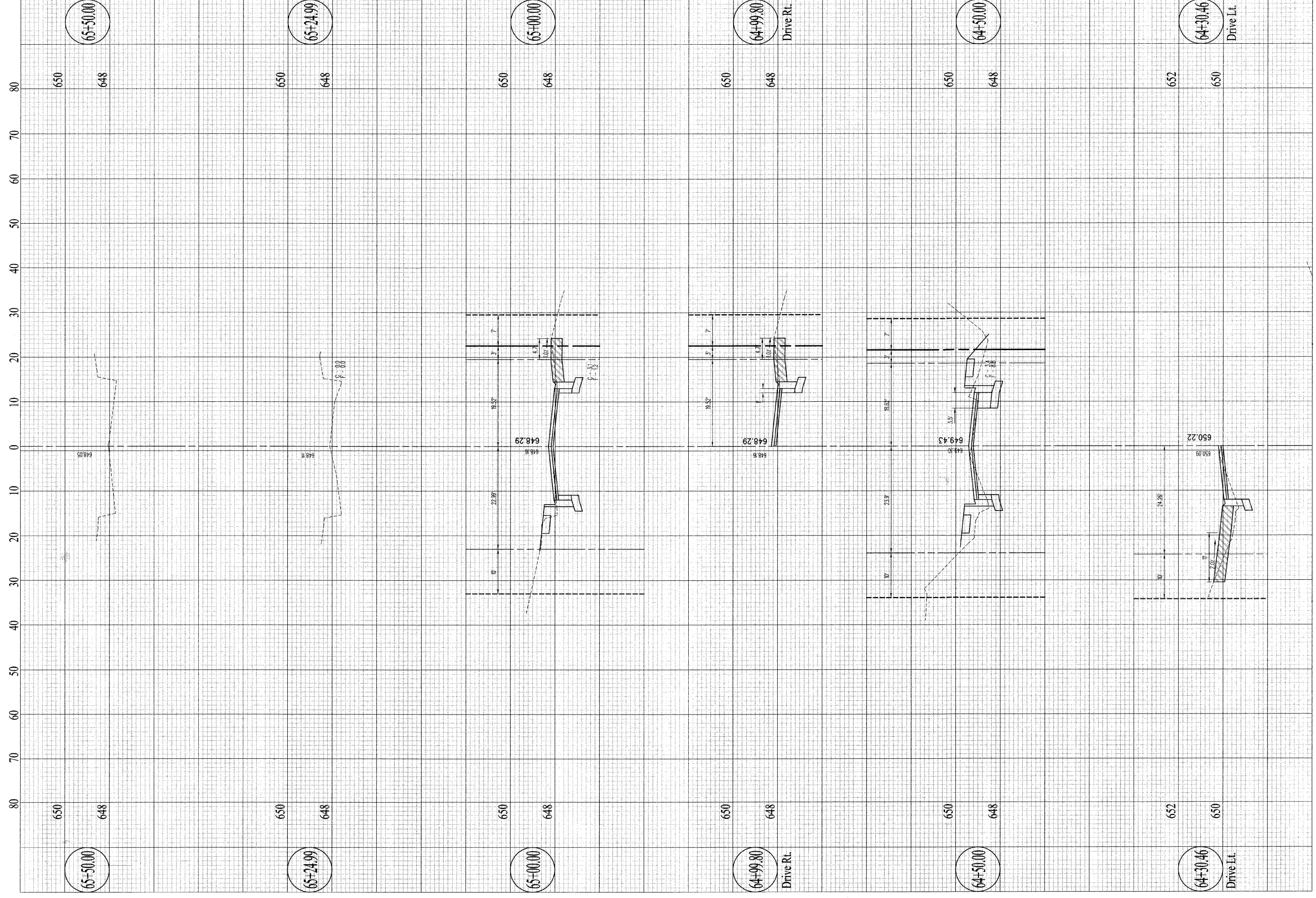
DRAWN	DCR
DATE	
CHECKED	
DATE	
APPROVED	
DATE	
REVISED	
DATE	

SCALES
Horizontal: 1" = 10'
Vertical: 1" = 2'

4th Street

Cross Sections





Contract #95539

CSI CONSOLIDATED SERVICES INC.
of Coles County

ENGINEERING - SURVEYING - CONSTRUCTION MANAGEMENT
520 Jackson Avenue - P.O. Box 644 - Charleston, Illinois - 61920 - (217) 345-9511

CSI File #3378.06.06

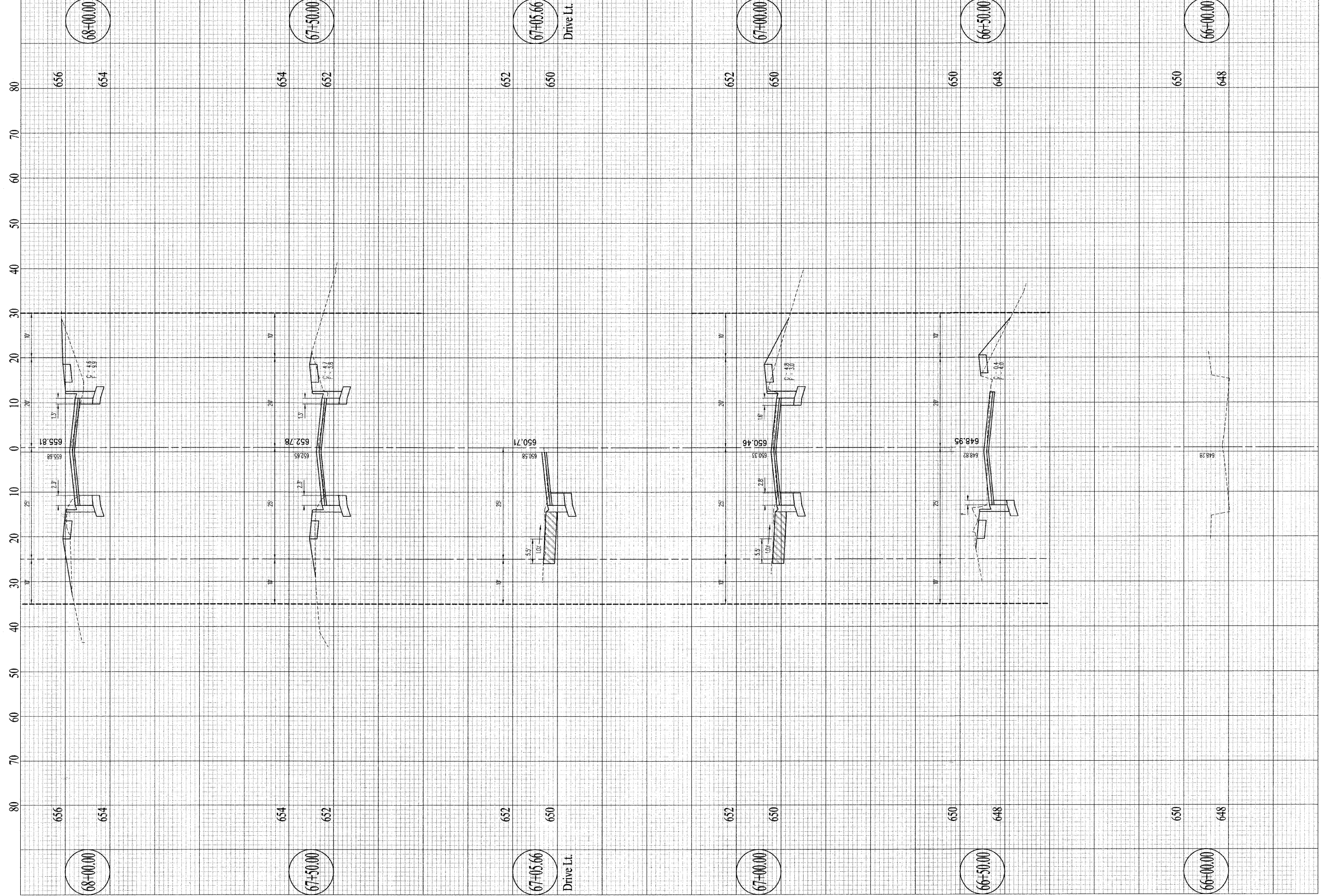
DRAWN	DCR
DATE	
CHECKED	
DATE	
APPROVED	
DATE	
REVISED	
DATE	

SCALES
Horizontal: 1" = 10'
Vertical: 1" = 2'

4th Street

Cross Sections

Sheet No.
44
of 57 Sheets



Contract #95539

CSI CONSOLIDATED SERVICES INC.
of Coles County

ENGINEERING - SURVEYING - CONSTRUCTION MANAGEMENT
520 Jackson Avenue - P.O. Box 644 - Charleston, Illinois - 61920 - (217) 345-9511

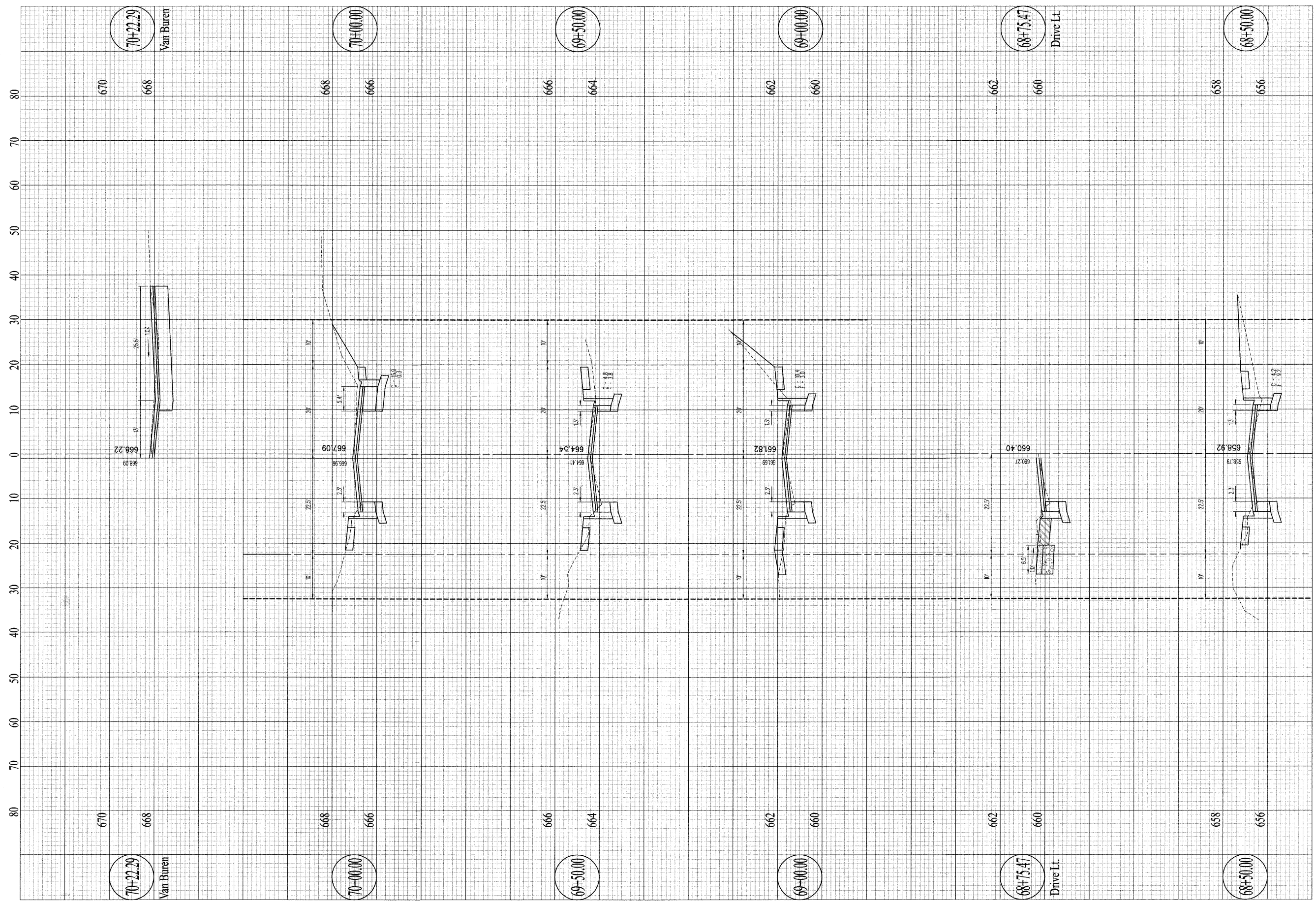
DRAWN	DCR
DATE	
CHECKED	
DATE	
APPROVED	
DATE	
REVISED	
DATE	

SCALES
Horizontal: 1" = 10'
Vertical: 1" = 2'

4th Street

Cross Sections

Sheet No.
45
of 57 Sheets



Contract #95539

CSI CONSOLIDATED SERVICES INC.
of Coles County

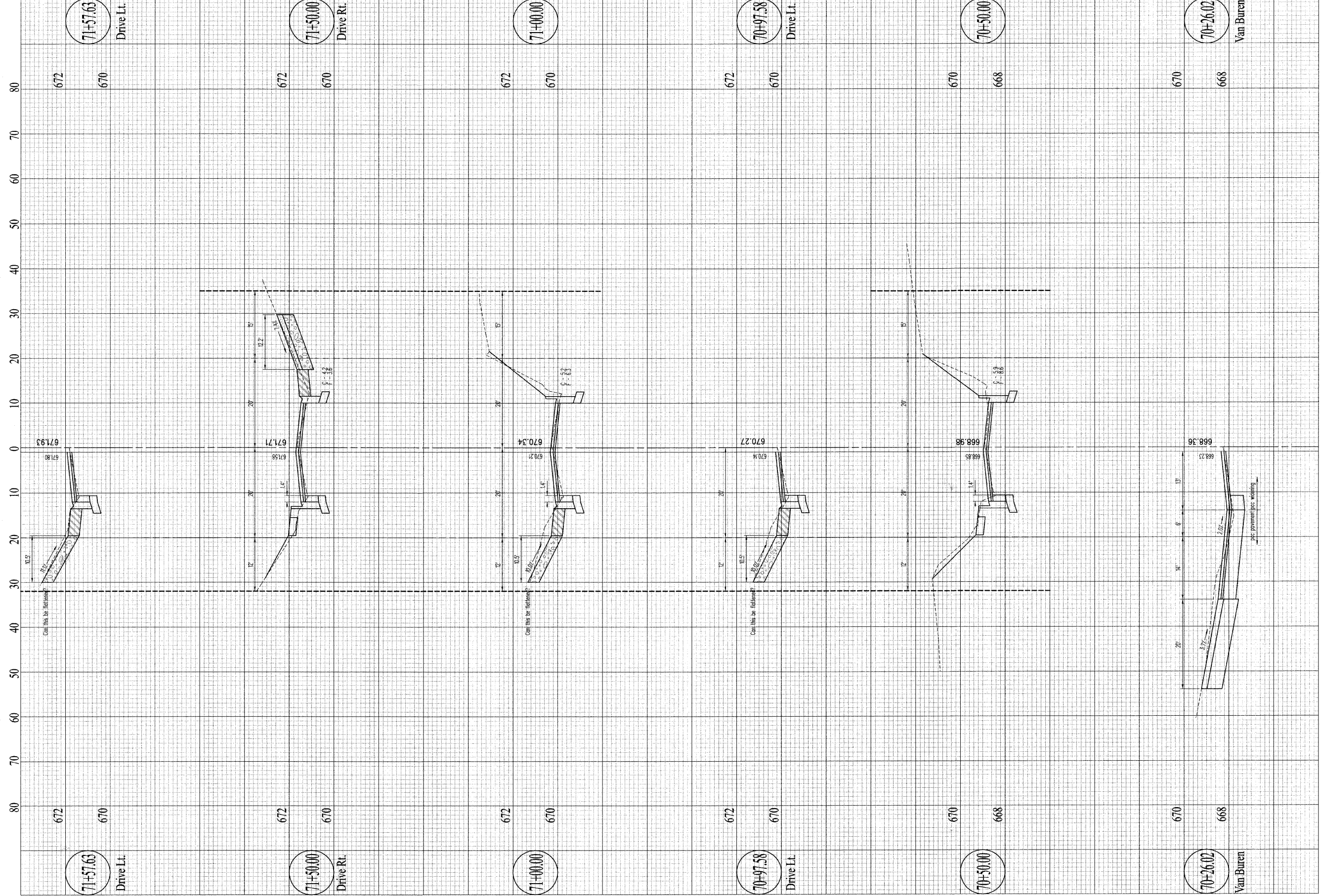
ENGINEERING - SURVEYING - CONSTRUCTION MANAGEMENT
520 Jackson Avenue - P.O. Box 644 - Charleston, Illinois - 61920 - (217) 345-9511
CSI File #5178-05-06

DCR	DRAWN	CHECKED	APPROVED	REVISD
	DATE	DATE	DATE	DATE

SCALES
Horizontal: 1" = 10'
Vertical: 1" = 2'

4th Street Cross Sections

Sheet No.
46
of 57 Sheets



Contract #95539
 CSI File #318-06-06

CSI CONSOLIDATED SERVICES INC.
 of Coles County
 ENGINEERING - SURVEYING - CONSTRUCTION MANAGEMENT
 520 Jackson Avenue - P.O. Box 644 - Charleston, Illinois - 61920 - (217) 345-9511

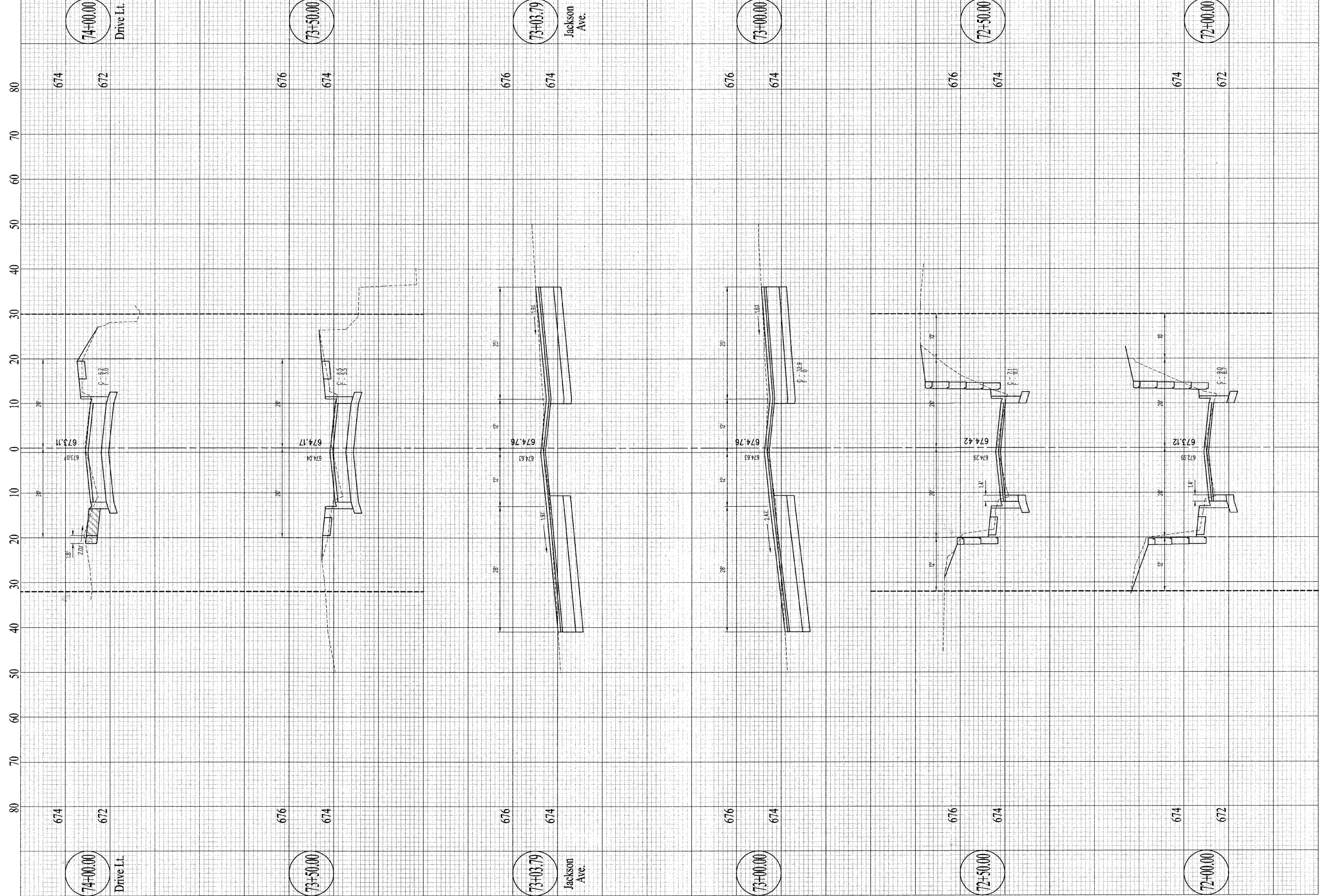
DRAWN	DCR
DATE	
CHECKED	
DATE	
APPROVED	
DATE	
REVISED	
DATE	

SCALES
 Horizontal: 1" = 10'
 Vertical: 1" = 2'

4th Street

Cross Sections

Sheet No.
47
 of 57 Sheets



Contract #95539

CSI CONSOLIDATED SERVICES INC.
of Coles County

ENGINEERING - SURVEYING - CONSTRUCTION MANAGEMENT
520 Jackson Avenue - P.O. Box 644 - Charleston, Illinois - 61920 - (217) 345-9511

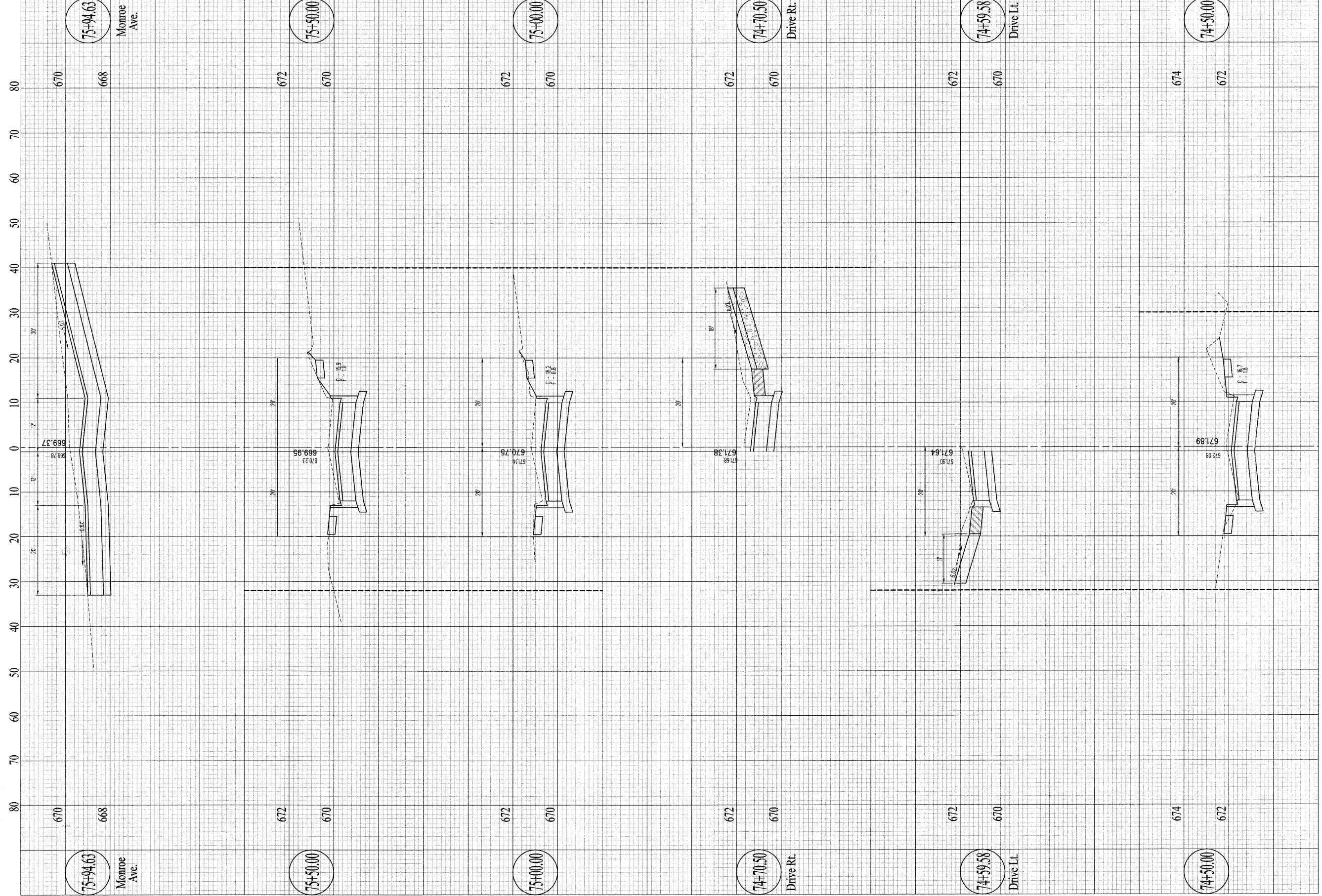
DRAWN	DCR
DATE	
CHECKED	
DATE	
APPROVED	
DATE	
REVISED	
DATE	

SCALES
Horizontal: 1" = 10'
Vertical: 1" = 2'

4th Street

Cross Sections

Sheet No.
48
of 57 Sheets



Contract #95539

CSI CONSOLIDATED SERVICES INC.
of Coles County
ENGINEERING - SURVEYING - CONSTRUCTION MANAGEMENT
520 Jackson Avenue - P.O. Box 644 - Charleston, Illinois - 61920 - (217) 345-9511
CSI File #23718-06-06

DRAWN DATE	DCR
CHECKED DATE	
APPROVED DATE	
REVISED DATE	

SCALES
Horizontal: 1" = 10'
Vertical: 1" = 2'

4th Street Cross Sections

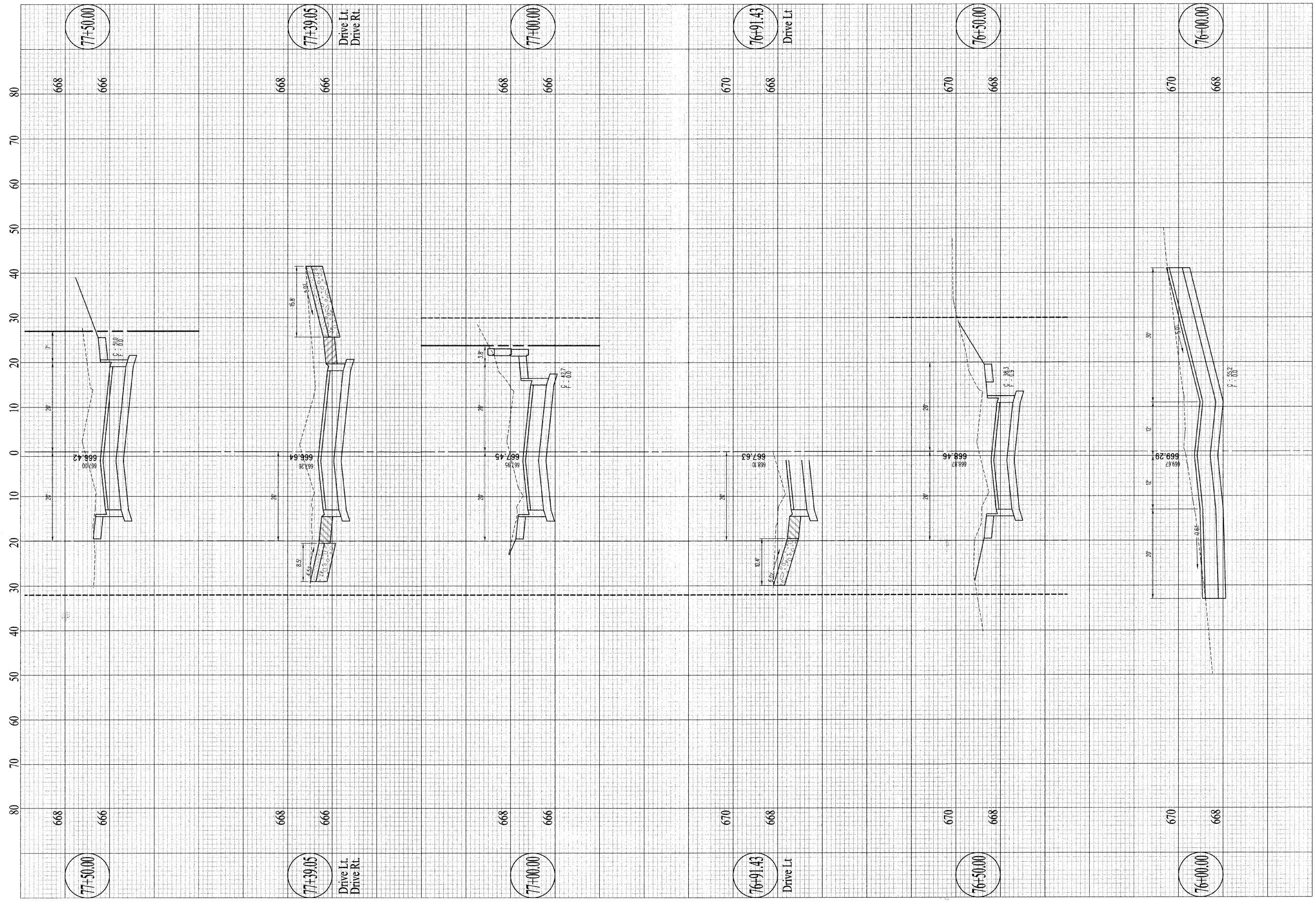
Sheet No.
49
of 57 Sheets

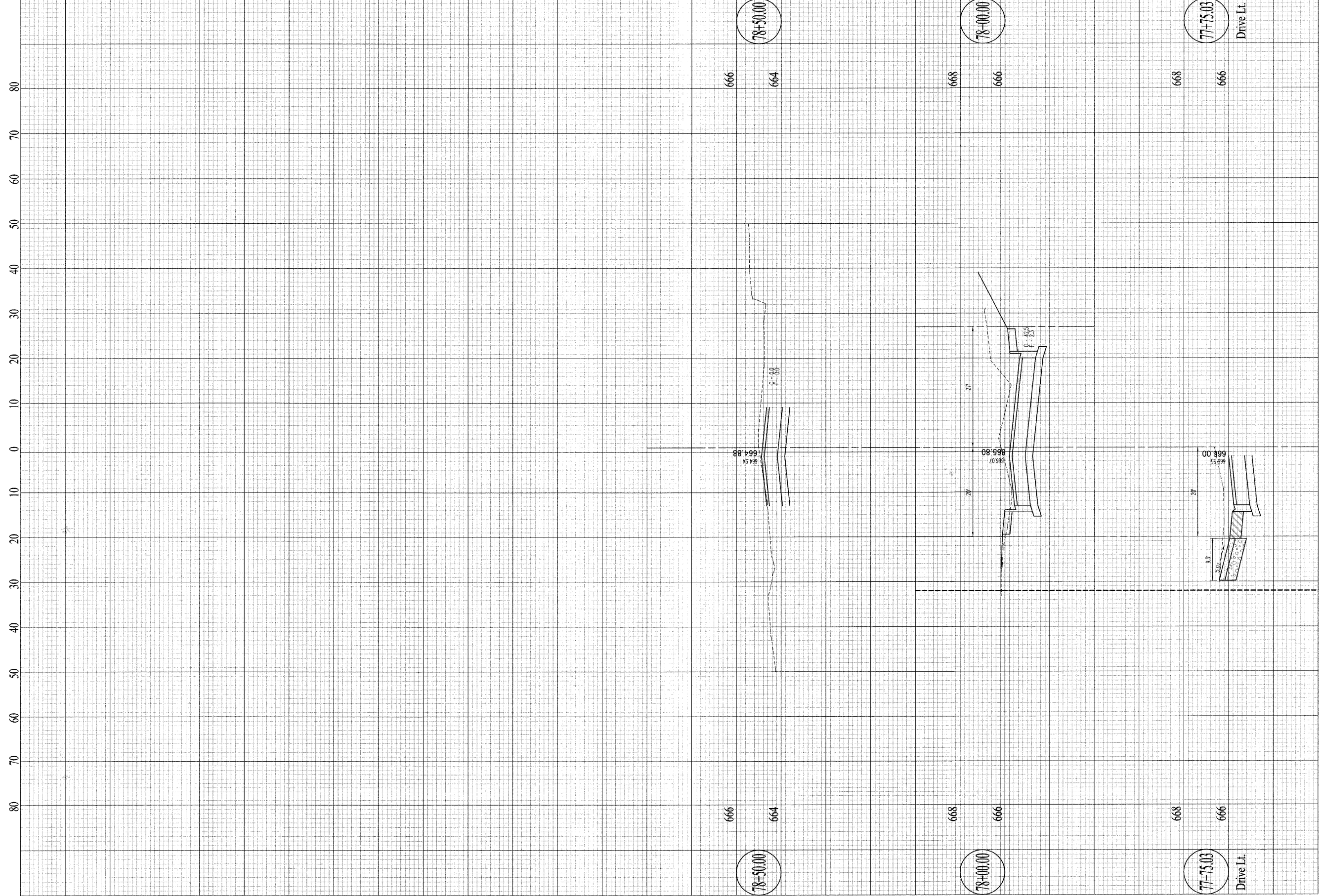
CSI CONSOLIDATED SERVICES INC.
of Coles County

ENGINEERING - SURVEYING - CONSTRUCTION MANAGEMENT
520 Jackson Avenue - P.O. Box 644 - Charleston, Illinois - 61920 - (217) 345-9511

4th Street
Cross Sections

SCALES	DRAWN DATE	DCR
Horizontal: 1" = 10' Vertical: 1" = 2'	CHECKED DATE	
	APPROVED DATE	
	REVISED DATE	
	DATE	





Contract #95539

CSI CONSOLIDATED SERVICES INC.
of Coles County

ENGINEERING - SURVEYING - CONSTRUCTION MANAGEMENT
520 Jackson Avenue - P.O. Box 644 - Charleston, Illinois - 61920 - (217) 345-9511
CSI File #3378-06-06

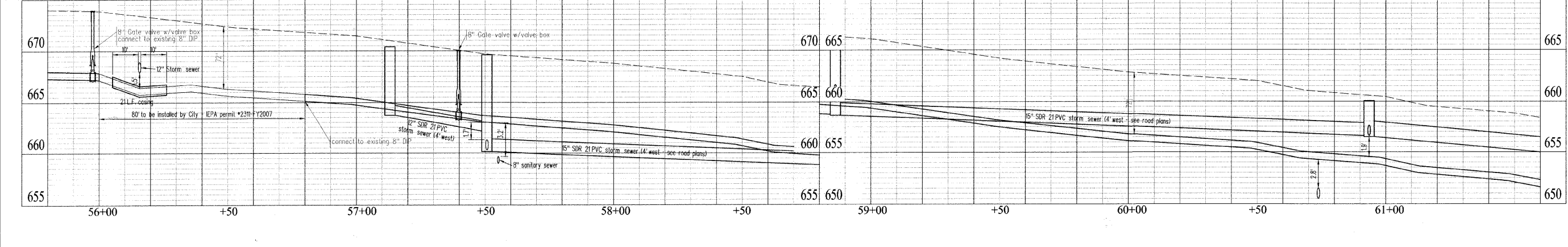
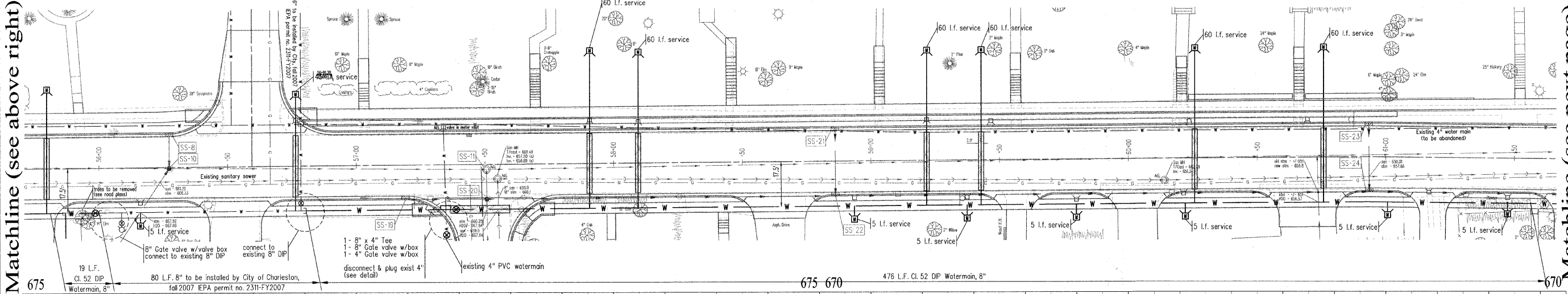
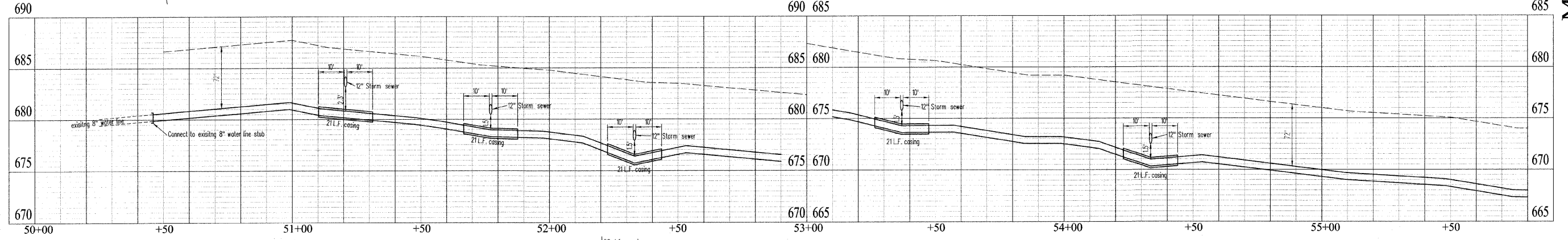
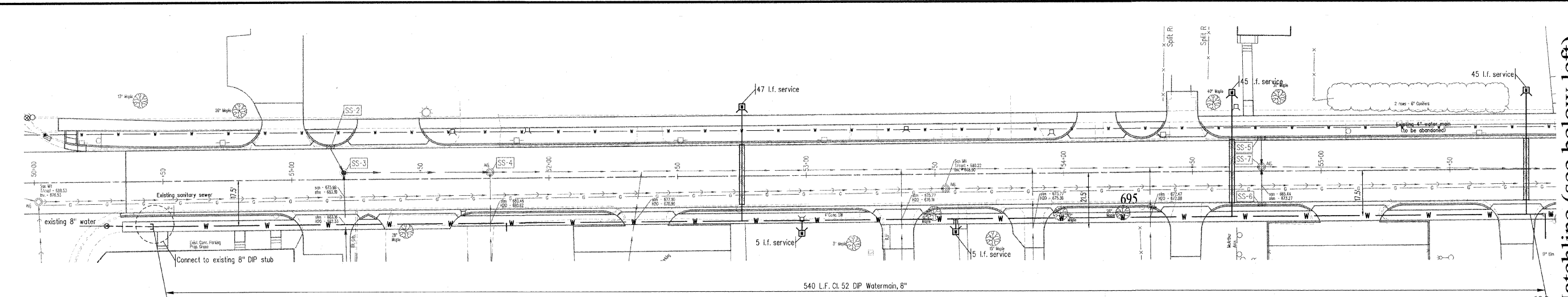
DRAWN	DCR
DATE	
CHECKED	
DATE	
APPROVED	
DATE	
REVISED	
DATE	

SCALES
Horizontal: 1" = 10'
Vertical: 1" = 2'

4th Street

Cross Sections

Sheet No.
51
of 57 Sheets



Matchline (see below left)

Matchline (see next page)

Matchline (see above right)

SCALE	DATE	BY
AS SHOWN		
DATE		
CHECKED		
DATE		
APPROVED		
DATE		
REVISED		
DATE		

4th Street

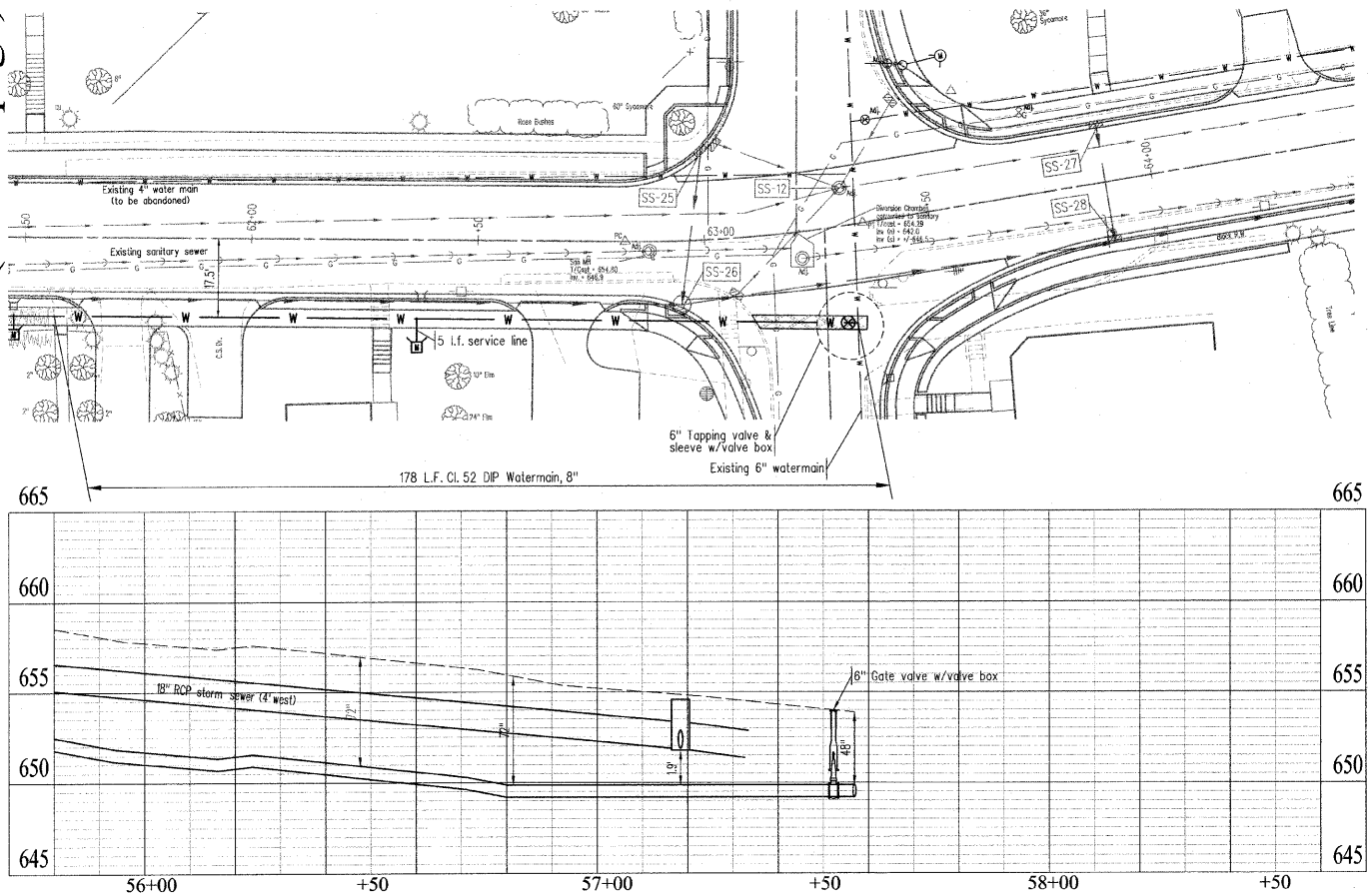
Waterline plans

DRAWN	DCR
DATE	
CHECKED	
DATE	
APPROVED	
DATE	
REVISED	
DATE	

SCALES	N/A
--------	-----

4th Street
Waterline plans

Matchline (see last page)



General Specifications for Water Main Construction

- All water main construction and testing shall be in accordance with these plans, the "Standard Specifications for Water and Sewer Main Construction in Illinois", Fifth Edition, May 1996 and its revisions to date and the City of Charleston "Unified Development Code (UDC) March 2003 Requirements.
 - Dispose of excess excavated material off-site. In the event that the developer has no place to dispose of the excess excavation, the developer (at his discretion) may make arrangements with the City of Charleston for disposal at various directed locations.
 - Limits of construction are the public right-of-way and easements except where otherwise shown.
 - All field tiles, drains, and utilities cut during construction shall be replaced or plugged at the direction of the City of Charleston. It shall be the responsibility of the trenching Contractor to inform the Engineer and the City of Charleston Public Works Department of all severed lines and to repair promptly at no added compensation, unless tile re-routing results in 50' or more of new tile lines. In addition the contractor will be required to install an inspection well on the repaired tile at opposite ROW lines for future locating. All utility poles, telephone pedestals, monuments, valve boxes and utility lines shall be braced and protected as necessary. The Contractor shall notify the respective utility company of any damage to public utility lines or service lines and shall be responsible for the cost of any repair.
 - Utility locations shown on the plans (if any) are approximate as supplied by respective utility companies. The Contractor shall contact J.U.L.I.E. System (800-892-0123) for precise field verification prior to any construction.
 - The contractor shall notify the City of Charleston two (2) days before starting or restarting of any construction and/or testing.
 - All testing shall be incidental to the cost of water main construction. All pressure tests and leakage tests shall conform to the current "Standard Specifications for Water and Sewer Main Construction in Illinois" and shall be witnessed/inspected by a City of Charleston representative. City of Charleston personnel shall sterilize, sample and provide the appropriate reports.
 - Water main disinfection must be in accordance to section 41-2.12 ("Disinfection of Water Mains") of the current edition of "Standard Specifications for Water and Sewer Main Construction in Illinois."
 - Minimum cover for water mains shall be 48" and for service lines shall be 36". To avoid conflicts with existing and proposed utilities, 72" cover is assumed.
 - The proposed water mains and appurtenances shall meet the following specifications:
 - Water Main: "Class 52, Cement Lined, Bituminous Coated, Ductile Iron Pipe" (UDC Section 7.02 (D) @ Pg. 7-8). Approved pipe manufacturers: Clow, Tyler, Griffith or US Pipe
 - Water Main Fittings - All elbows, tees, crosses, and reducers shall be ductile iron, cement lined, bituminous coated, mechanical joint, Class 350 short-radius fittings, and shall conform to Section 40 of the Standard Specifications for Water and Sewer Main Construction in Illinois, 5th Edition. Flange kits shall be included for each mechanical joint. All fittings shall be Tyler or the same manufacturer as the water main.
 - Tapping Sleeves - Tapping Sleeves shall be stainless steel with ductile iron or stainless steel flanges and a test plug. Tapping sleeves shall have removable bolts, welded bolts will not be permissible. Tapping Sleeves shall fit ductile or cast iron pipe of the nominal size listed. Tapping Sleeves shall be one of the following manufacturers; Mueller, Clow, Ford, or Cascade.
 - Gate Valves - Gate Valves shall be mechanical joint, resilient seat gate valves conforming to Section 42 of the Standard Specifications for Water and Sewer Main Construction in Illinois, 5th Edition. Flange kits shall be provided for each mechanical joint. Gate Valves shall be one of the following manufacturers; Mueller or Clow.
 - Tapping Valves - Tapping Valves shall be flange joint to mechanical joint, resilient seat gate valves conforming to Section 42 of the Standard Specifications for Water and Sewer Main Construction in Illinois, 5th Edition. Flange kits shall be provided for the flange joint and the mechanical joint. Tapping Valves shall be one of the following manufacturers; Mueller or Clow.
 - Fire Hydrants - Fire Hydrants shall be 6", 3-way (1 @ 4-1/2" & 2 @ 2-1/2"), mechanical joint, yellow hydrants conforming to Section 42 of the Standard Specifications for Water and Sewer Main Construction in Illinois, 5th Edition. One flange kit shall be included for each hydrant. Fire hydrants shall be one of the following manufacturers; Mueller Centurian or Clow Medallion.
 - Anchor Couplings - Anchor Couplings shall be ductile iron, cement lined, bituminous coated, with stainless steel split rings and ductile iron flanges. The actual length of the anchor couplings furnished may exceed the specified length by a maximum of 4". Anchor Couplings shall be Tyler, Fab Pipe, or of the same manufacturer as the water main.
 - Restraining Glands - Restraining glands shall be ductile iron, bituminous coated, and equipped with serrated rectangular metal pads between the set screws and the pipe. Restraining glands shall be one of the following manufacturers; Megalug or Ford.
 - Caps - Caps shall be ductile iron, bituminous coated, with mechanical joints for mounting to an exposed pipe end of the specified diameter. One flange kit shall be included for each cap. Caps shall be Tyler or the same manufacturer as the water main.
 - Plugs - Plugs shall be ductile iron, bituminous coated, with mechanical joints for mounting to a mechanical joint valve. Flange kits are not required to be included. Plugs shall be Tyler or the same manufacturer as the water main.
 - Full Circle Clamps - Full Circle Clamps shall be stainless steel single band type repair clamps. Clamps shall fit ductile iron or cast iron pipe of the nominal size listed unless specified otherwise. Clamps shall have removable bolts, welded on bolts will not be permissible. Full Circle Clamps shall be one of the following manufacturers; Ford, Smith Blair, Cascade, or Mueller.
 - Bell Joint Clamps - Bell Joint Clamps shall include split interlocking steel rings and split interlocking rubber gaskets. Clamps shall fit ductile or cast iron pipe of the nominal size listed. Bell joint clamps shall be one of the following manufacturers; Ford or Smith Blair.
 - Valve Boxes - Valve boxes shall be ductile iron. Valve boxes shall be screw type adjustable vaults. Lids shall be marked "WATER". Valve boxes shall be one of the following manufacturers; Tyler.
 - Brass Corp Stops - Corporation Stops shall include ball valves and taper threads to flare. One flare nut shall be included for each corp stop. Corp Stops shall be one of the following manufacturers; Mueller or Ford.
 - Copper Yokes, 3/4" & 1" - Yokes shall be one piece design, equipped with brass fittings, and brass angle meter valves. Yokes shall include horizontal inlet and outlet for pipe connections. Two multi-purpose nuts shall be included for each yoke. Yokes shall be equipped with meter saddle nuts for connection to the meter. Angle meter valves shall be 90 degree with ball valves and lock wings. Copper yokes shall be one of the following manufacturers; Mueller H-1400 or Ford VB72.
 - Copper Yokes, 1-1/2" & 2" - Yokes shall be one piece design, equipped with brass fittings, and brass angle meter valves. Yokes shall include horizontal inlet and outlet for pipe connections with compression fittings. Yokes shall be equipped with Ball Type Angle Meter Valves on both sides. The yokes shall include flanged connections for meters. Yokes shall include a bypass with a Ball Type Angle Meter Valve. All three angle meter valves shall include lock wings. Copper Yokes shall be one of the following manufacturers; Mueller or Ford.
 - Copper Tubing - Copper tubing shall be Type K. Copper tubing shall conform to Section 42 of the Standard Specifications for Water and Sewer Main Construction in Illinois, 5th Edition.
 - Brass Service Saddles - Service Saddles shall be manufactured for use on C-900 PVC pipe of the specified inside diameter. Saddles shall include double brass straps, brass saddle, rubber O ring, and CC threads. Brass Service Saddles shall be one of the following manufacturers; Mueller or Ford.
 - Brass Fittings - All other brass fittings shall be one of the following manufacturers; Mueller or Ford.
 - Brass Angle Meter Valves - Angle Meter Valves shall be 90 degree with ball valves, lockwings, female IP threads, and a meter saddle nut. Angle meter valves shall be one of the following manufacturers; Mueller or Ford.
 - Meter Covers - Meter covers shall include frames and lids. The lids shall be marked "WATER METER" with a side mounted nut lock. Meter Covers shall be one of the following manufacturers; Tyler or Mueller.
 - Meter Pits - Meter Pits shall be A-2000 PVC.
 - Water Meters - Water Meters shall include brass housings and cast iron bottoms. Meters shall read in gallons and be equipped with flow finders. Water Meters shall be one of the following manufacturers; Badger Recordall 25, or Sensus SR11.
 - Use Compacted Granular Trench Backfill under current and proposed paved areas. Trench Backfill requirements shall conform to the applicable portion of the "Standard Specifications for Water and Sewer Main Construction in Illinois". See detail for trench backfill beneath paved areas.
 - Wherever a water main passes over, under, or within 10' (as measured horizontally, of any sewer the Contractor shall construct water main in accordance to Section 41-2.01 of the "Standard Specifications for Water and Sewer Main Construction in Illinois". (See Standard Drawings this sheet).
- The following Division V Standard Drawings shall be included and utilized for separation (as applicable) as a part of the water main extension portion of this project:
- Std. Dwg. #18, Water and Sewer Separation Requirements - Horizontal Separation
 - Std. Dwg. #19, Water and Sewer Separation Requirements - Vertical Separation
 - Std. Dwg. #20, Water and Sewer Separation Requirements - Vertical Separation
 - Std. Dwg. #22, Water and Sewer Separation Requirements - Vertical Separation
 - Std. Dwg. #23, Water and Sewer Separation Requirements - Vertical Separation
 - Std. Dwg. #24, Water and Sewer Separation Requirements - Vertical Separation
- IMPORTANT:** Per City of Charleston UDC, Sec 7.02, Par. C,1 (Pg 7-8) Poured concrete thrust blocks are not allowed.
 - Any sewer service damaged during water main installation shall be repaired in accordance with the City of Charleston requirements.
 - Contractor shall be responsible for verifying the location and depth any buried utility that may conflict with the proposed water main installation. In the event that an unforeseen conflict arises water main depth adjustment shall be directed by the engineer.
 - All service taps will be made by City of Charleston personnel.

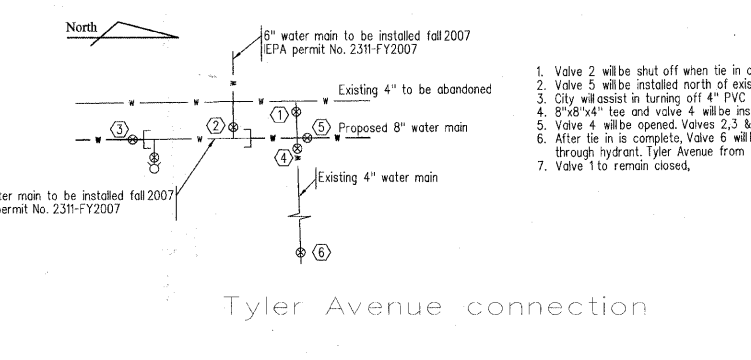
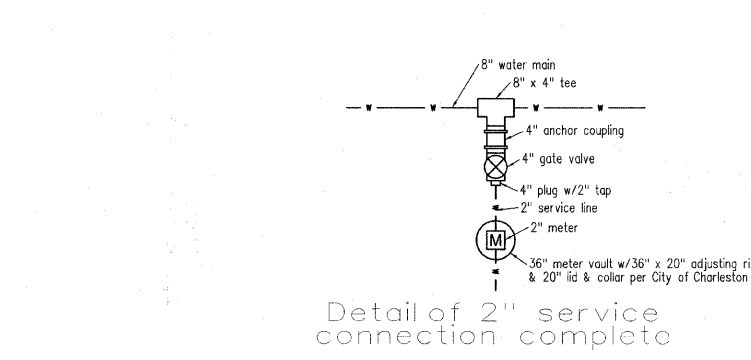
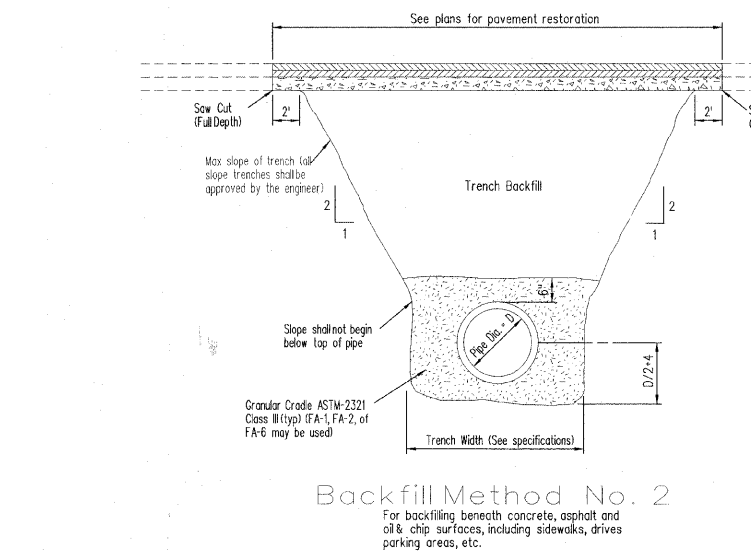
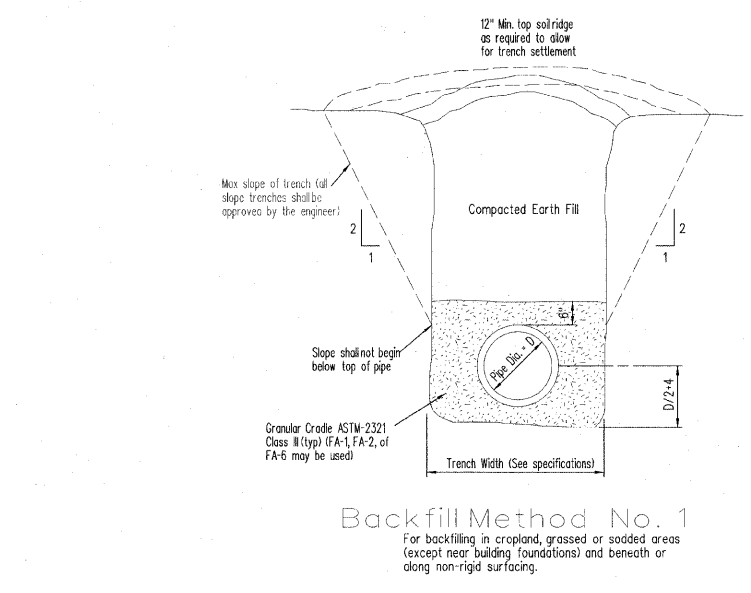
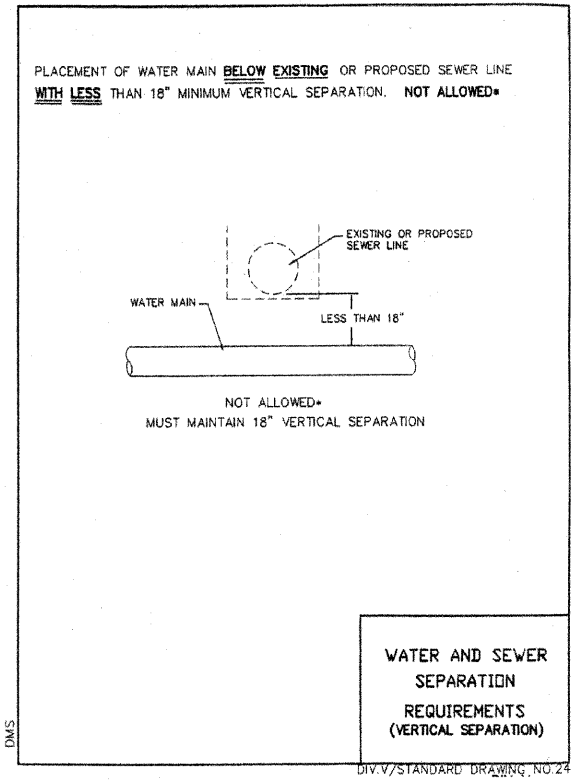
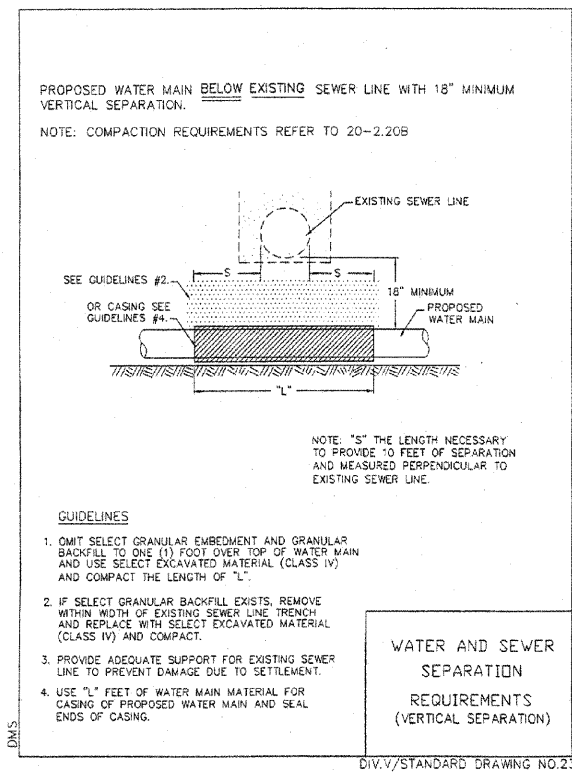
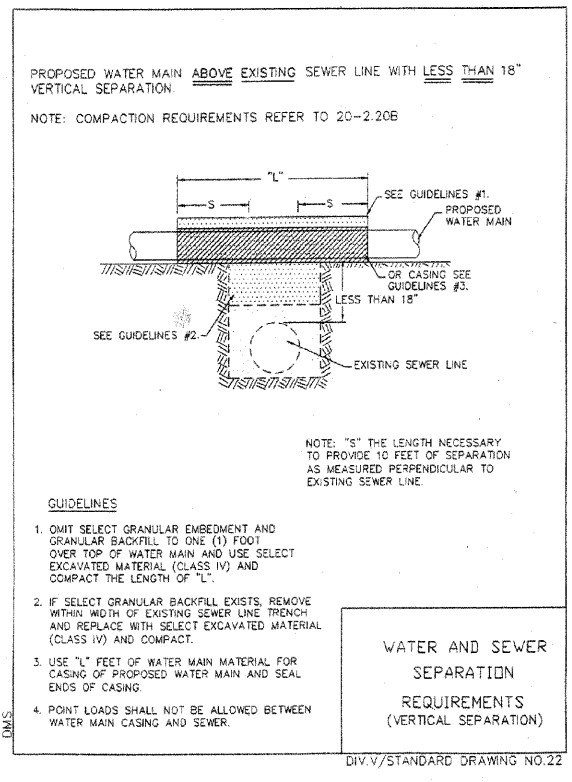
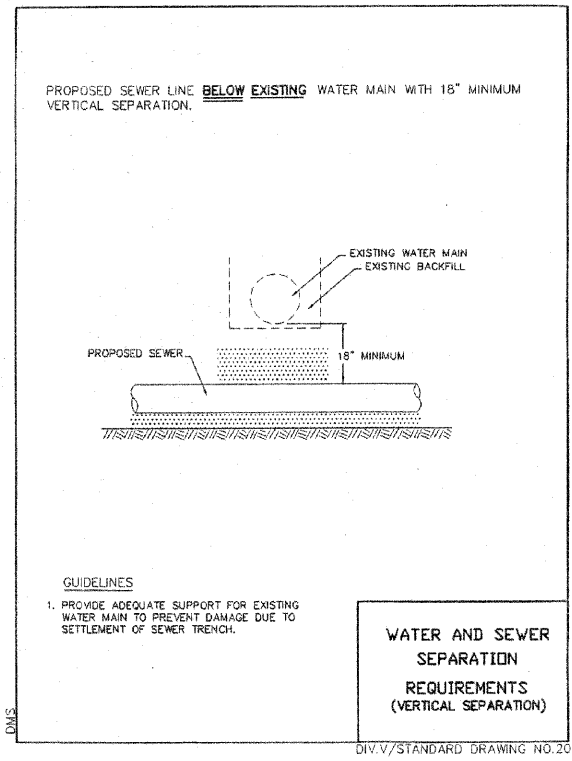
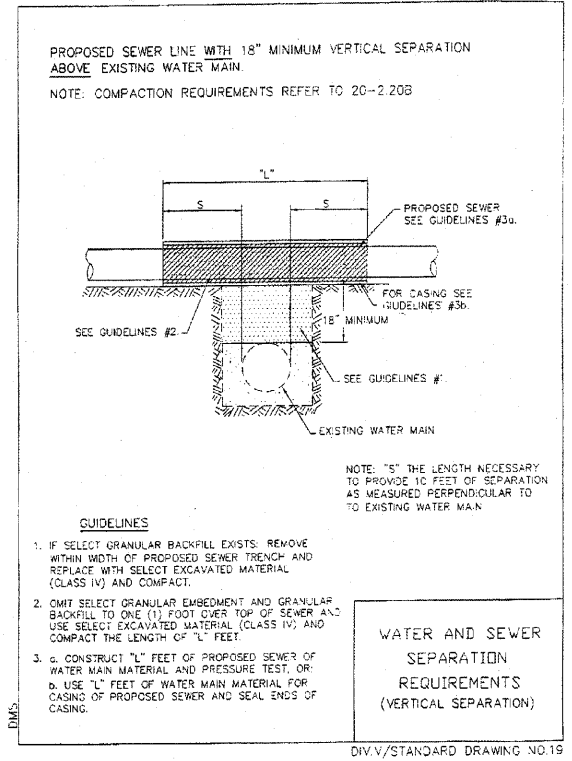
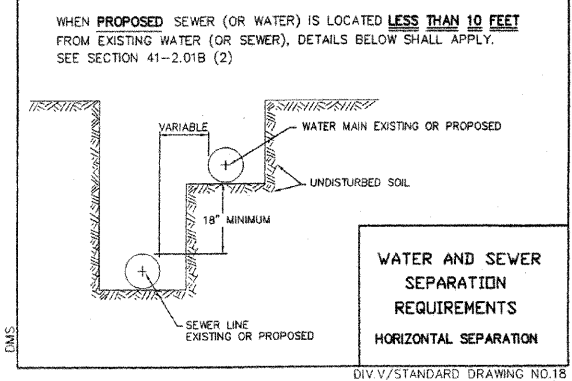
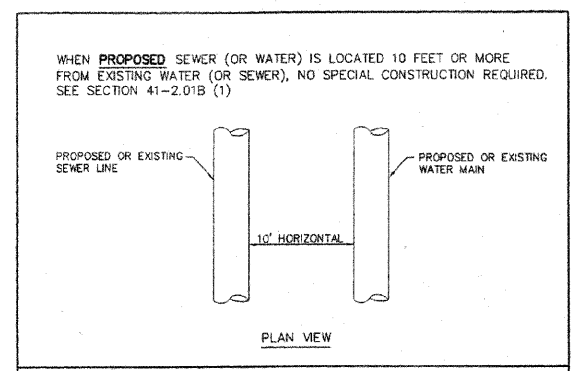
Important:

These "Water Main Construction Specific" General Notes are to be utilized in conjunction with the Standard Specifications for Road and Bridge Construction, Adopted January 2007. In the event that a conflict arises between these General Notes, the Standard Specification for Sewer and Water Main Construction in the State of Illinois, current edition, the requirements as set out in the City of Charleston "Unified Development Code" and/or pertinent ordinances governing municipal water main construction and the aforementioned Standard Specifications for Road and Bridge Construction the more restrictive shall apply (unless otherwise directed by the Engineer).

DCR	DATE	DATE	DATE	DATE
DRAWN	CHECKED	APPROVED	REVISED	

SCALES	N/A
--------	-----

4th Street Waterline plans



DRAWN	DCR
DATE	
CHECKED	
DATE	
APPROVED	
DATE	
REVISED	
DATE	

SCALES	N/A
--------	-----

4th Street
Waterline plans

Trench Backfill

17.50' Rt.50+46.00 to 17.50' Rt.54+00.00	176.20 CY
17.50' Rt.51+83.32 to 21.50' Rt.51+83.32	1.00 CY
17.50' Rt.52+75.00 to 25.50' Lt.52+75.00	9.10 CY
17.50' Rt.52+98.18 to 21.50' Rt.52+98.15	1.00 CY
21.50' Rt.53+57.93 to 24.50' Rt.53+57.91	0.70 CY
17.50' Rt.54+00.00 to 17.50' Rt.56+00.00	99.50 CY
17.50' Rt.54+03.67 to 21.50' Rt.54+03.67	1.00 CY
17.50' Rt.54+65.21 to 25.50' Lt.54+65.54	9.10 CY
17.50' Rt.55+79.54 to 25.50' Lt.55+79.87	9.10 CY
17.50' Rt.55+86.51 to 21.50' Rt.55+86.52	1.00 CY
17.50' Rt.56+16.01 to 21.50' Rt.56+15.98	1.00 CY
17.50' Rt.56+76.24 to 26.75' Lt.56+76.58	9.40 CY
17.50' Rt.56+80.37 to 21.68' Rt.63+30.93	310.70 CY
17.50' Rt.57+90.54 to 25.60' Lt.57+90.87	9.20 CY
17.50' Rt.57+93.83 to 21.50' Rt.57+93.83	1.00 CY
17.50' Rt.58+09.41 to 25.49' Lt.58+09.74	9.10 CY
17.50' Rt.58+36.82 to 21.50' Rt.58+36.82	1.00 CY
17.50' Rt.58+93.51 to 21.50' Rt.58+93.48	1.00 CY
17.50' Rt.59+21.54 to 24.85' Lt.59+21.86	9.00 CY
17.50' Rt.59+37.29 to 21.50' Rt.59+37.26	1.00 CY
17.50' Rt.59+42.71 to 24.73' Lt.59+43.03	9.00 CY
17.50' Rt.59+79.77 to 21.50' Rt.59+79.74	1.00 CY
17.50' Rt.60+22.00 to 21.50' Rt.60+21.97	1.00 CY
17.50' Rt.60+25.63 to 26.76' Lt.60+25.97	9.40 CY
17.50' Rt.60+75.68 to 26.47' Lt.60+76.01	43.97 CY
17.50' Rt.61+00.90 to 21.50' Rt.61+00.94	1.00 CY
17.49' Rt.61+47.51 to 21.55' Rt.61+47.55	1.00 CY
17.48' Rt.62+36.57 to 21.50' Rt.62+36.62	1.00 CY
Total 727.47 CY	

Class C Patches, Type II

12.29' Lt.52+75.00 to 11.29' Rt.52+75.00	5.24 SY
12.33' Rt.54+65.25 to 12.37' Lt.54+65.44	5.49 SY
11.84' Rt.55+79.59 to 11.87' Lt.55+79.77	5.27 SY
12.10' Rt.56+76.28 to 11.87' Lt.56+76.46	5.32 SY
11.55' Rt.57+90.59 to 11.70' Lt.57+90.77	5.17 SY
11.53' Rt.58+09.45 to 11.62' Lt.58+09.63	5.14 SY
11.79' Rt.59+21.58 to 11.01' Lt.59+21.76	5.07 SY
11.77' Rt.59+42.75 to 10.90' Lt.59+42.92	5.04 SY
12.10' Rt.60+25.68 to 11.35' Lt.60+25.85	5.21 SY
12.04' Rt.60+75.72 to 11.36' Lt.60+75.90	5.20 SY
Total 52.15 SY	

Ductile Iron Water Main 8"

17.50' Rt.50+46.00 to 17.50' Rt.54+00.00	354.00 FEET
17.50' Rt.54+00.00 to 17.50' Rt.56+00.00	200.00 FEET
17.50' Rt.56+80.37 to 21.68' Rt.63+30.93	653.52 FEET
Total 1207.52 FEET	

Tapping Valves and Sleeves, 6"

21.34' Rt.63+28.91	1.00 EACH
Total 1 EACH	

Water Service Line 3/4"

53+57.93	5.00 FEET
54+03.67	5.00 FEET
54+65.21	90.00 FEET
55+79.54	45.00 FEET
56+16.01	5.00 FEET
56+76.24	45.00 FEET
57+90.54	60.00 FEET
57+93.83	5.00 FEET
58+09.41	60.00 FEET
58+36.82	5.00 FEET
58+93.51	5.00 FEET
59+21.54	60.00 FEET
59+37.29	5.00 FEET
59+42.71	60.00 FEET
59+79.77	5.00 FEET
60+22.00	5.00 FEET
60+25.63	60.00 FEET
60+75.68	60.00 FEET
61+00.90	5.00 FEET
61+47.51	5.00 FEET
62+36.57	5.00 FEET
Total 600 FEET	

Water Service Line 1"

52+98.18	5.00 FEET
Total 5 FEET	

Water Service Line 2"

51+83.32	5.00 FEET
52+75.00	45.00 FEET
55+86.51	5.00 FEET
Total 55 FEET	

Domestic Meter Vaults

22.60' Rt.52+98.15	1.00 EACH
26.60' Rt.53+57.89	1.00 EACH
22.60' Rt.54+03.67	1.00 EACH
30.65' Lt.54+65.58	2.00 EACH
30.65' Lt.55+79.91	1.00 EACH
22.59' Rt.56+15.97	1.00 EACH
27.90' Lt.56+76.58	1.00 EACH
43.84' Lt.57+91.01	1.00 EACH
22.60' Rt.57+93.83	1.00 EACH
43.11' Lt.58+09.87	1.00 EACH
22.60' Rt.58+36.82	1.00 EACH
22.59' Rt.58+93.47	1.00 EACH
42.79' Lt.59+22.00	1.00 EACH
22.59' Rt.59+37.26	1.00 EACH
42.79' Lt.59+43.16	1.00 EACH
22.59' Rt.59+79.73	1.00 EACH
22.61' Rt.60+21.96	1.00 EACH
42.79' Lt.60+26.09	1.00 EACH
42.79' Lt.60+76.13	1.00 EACH
22.48' Rt.61+00.95	1.00 EACH
21.59' Rt.61+47.55	1.00 EACH
23.78' Rt.62+36.64	1.00 EACH
Total 23 EACH	

Valve Boxes 6"

21.34' Rt.63+28.91	1.00 EACH
Total 1 EACH	

Water Service Connection, 2" Complete

Rt.51+83.32	1.00 EACH
Lt.52+75.00	1.00 EACH
Rt.55+86.51	1.00 EACH
Total 3 EACH	

Plug Existing Water Main, 4"

17.50' Rt.57+34.69	1.00 EACH
Total 1 EACH	

Gate Valve and Box 8"

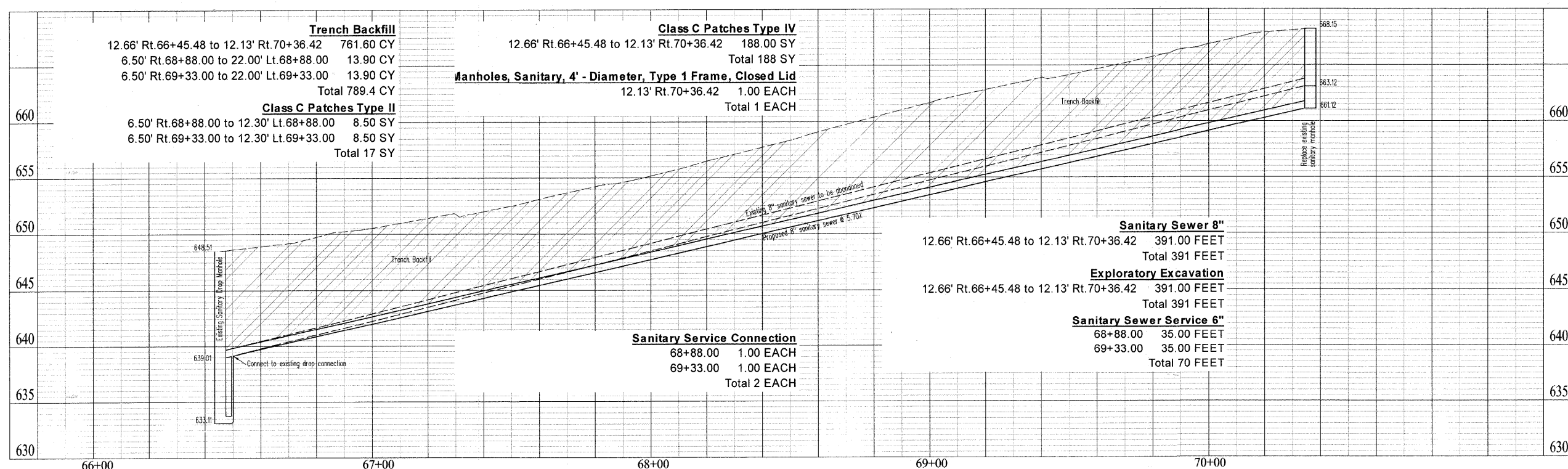
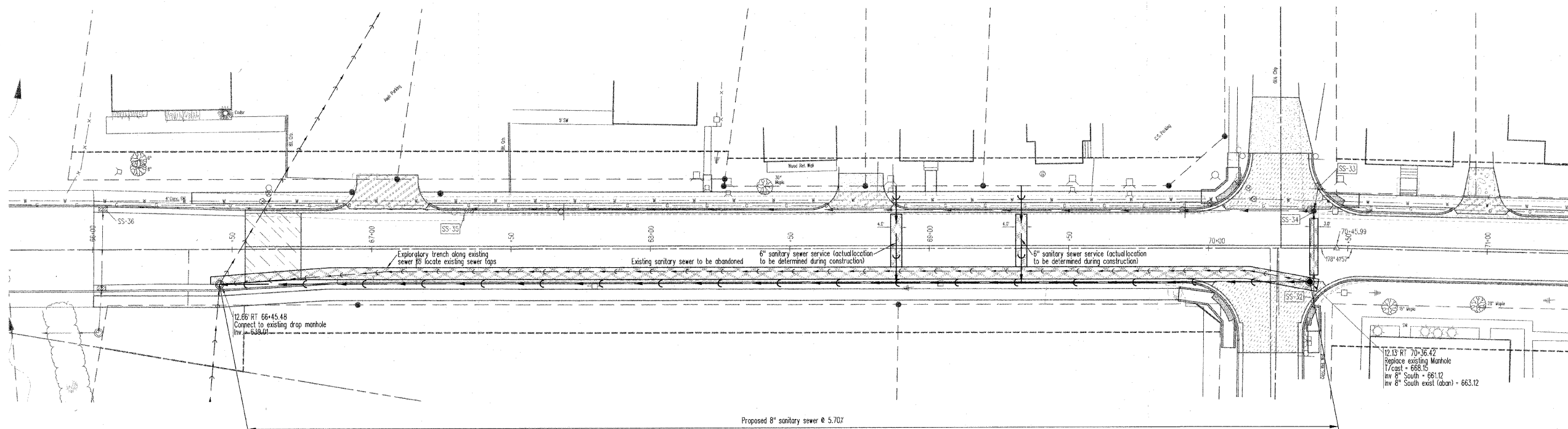
17.50' Rt.55+98.47	1.00 EACH
17.50' Rt.57+38.65	1.00 EACH
Total 2 EACH	

Gate Valve w/Box, 4"

27.26' Rt.57+34.90	1.00 EACH
Total 1 EACH	

Tee, M.J, 8" x 4"

17.50' Rt.57+34.69	1.00 EACH
Total 1 EACH	



DCR	DRAWN	CHECKED	APPROVED	REVISID
	DATE	DATE	DATE	DATE

SCALES
N/A

4th Street

Sanitary Sewer

DRAWN	DCR
CHECKED	
APPROVED	
DATE	
REVISION	

SCALES	N/A
--------	-----

4th Street
Sanitary Sewer

Sanitary Sewer - General Notes

- The Contractor shall be responsible for verifying the location of all underground utilities prior to construction. The buried utilities as shown on these plans, if any, are not to be considered accurate. The contractor shall contact the local utility companies for field locations prior to beginning any excavation. These contacts shall include but are not limited to the following:

TOLL-FREE: "JOINT UTILITY LOCATING INFORMATION FOR EXCAVATORS" (J.U.L.I.E.) 1-800-892-0123

All contacts are to be made at least 48 hours prior to any construction.
- The contractor shall take all necessary precautions to protect the property of the various utilities, public and private, which may be located either above ground or underground, at or adjacent to the limits of this project. The contractor will be required to repair or replace at his own expense, or bear the cost of having the utilities repaired or replaced, any utility, public or private, damaged through his efforts. The procedure and specifications of any repair will be done in accordance with the regulations and/or policy of the utility company involved.
- All trenches crossing within the subgrade of, or within two (2) feet of any paved surface (including sidewalk) shall be backfilled with trench backfill in accordance with Section 208 of the "Standard Specifications for Road and Bridge Construction".
- Sanitary sewer testing shall be the responsibility of the contractor and shall conform to the requirements of the "Standard Specifications for Water and Sewer Main Construction in Illinois", current edition, Section 31-1.11B, Par. 3 (Air Testing Method) and Section 31-1.11B, Par. 4 (Deflection Testing for Flexible Thermoplastic Pipe) or as required by the City of Arcola. The manholes shall be tested per Title 35, Subtitle C, Part 370 "Illinois Recommended Standards for Sewage Works" Subpart C: Section 370.330, (e)(2)(Inspection) - in accordance with ASTM C969-94 (Infiltration/Exfiltration Test) or ASTM C1244-93 (Negative Pressure Test). The contractor shall give 48 hours notice prior to testing in order to allow the City of Charleston's representative to witness the testing (failure to do so will result in retesting at the expense of the Contractor).
- In addition to plan details, Standard Drawings # 1, 3, 6, 7, 18 & 20 shall also apply (Standard Specifications for Water & Sewer Main Construction in Illinois, Current Edition).
- Minimum 10' horizontal and/or 18" vertical separation (as applicable) shall be maintained between the proposed sanitary sewer and the existing water main in accordance with Section 41-2.01 of the "Standard Specifications for Sewer and Water main Construction".
- All trenches crossing within the subgrade of any existing street, proposed street or within two (2) feet of any paved surface (including sidewalk) shall be backfilled with trench backfill in accordance with Section 208 of the "Standard Specifications for Road and Bridge Construction", except that trench backfill material shall be "flowable fill" (from and IDOT approved mix).
- Sanitary Sewer shall be 8" "Heavy-Wall" PVC (minimum cell classification 12454-8) Sewer Pipe. PSM SDR 26 (ASTM D3034) gasket slip joint and bell (ASTM D 3212). 6" Sanitary service line/connection/installation shall be in conformance with the State of Illinois Plumbing Code and the City of Charleston.
- PVC Sewer Couplings - PVC sewer couplings shall be one piece units manufactured for splicing of PVC pipe of the specified inside diameter and SDR value. Couplings shall be PVC and include rubber gaskets. Couplings shall not include "stops" and shall be capable of sliding all the way onto a section of pipe, then sliding back over the splice area
- Sanitary Sewer Tee, SDR 35 - Tee's shall be SDR 35 PVC pipe with slip joints and flexible elastomeric seals. The material shall conform to Section 30 of the Standard Specifications for Water and Sewer Main Construction in Illinois, 5TH Edition.
- Flexible Sewer Couplings - Flexible Couplings shall be rubber with stainless steel straps and screws. Flexible Couplings shall be one of the following manufacturers; Fernco, or Mission.

