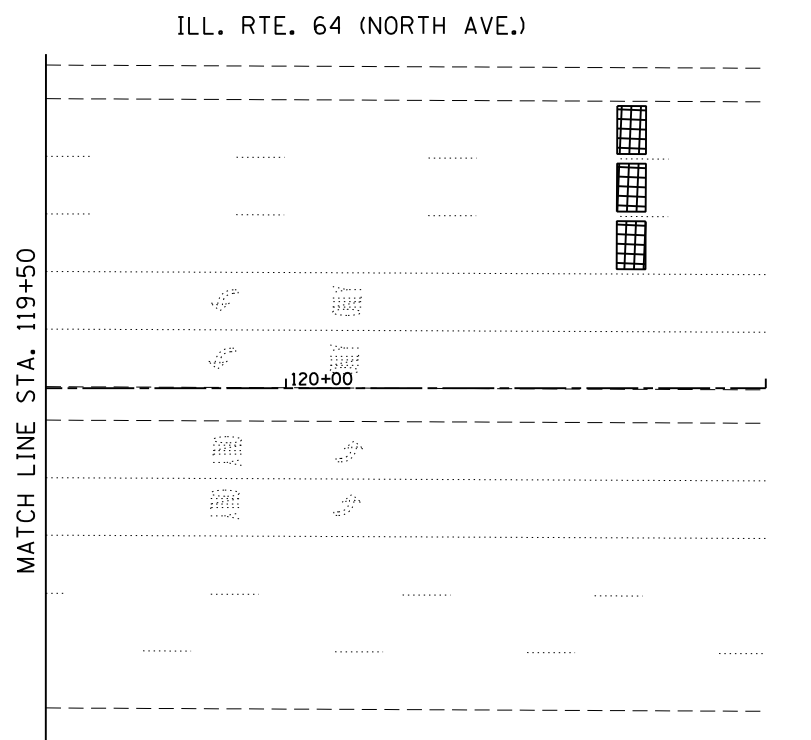
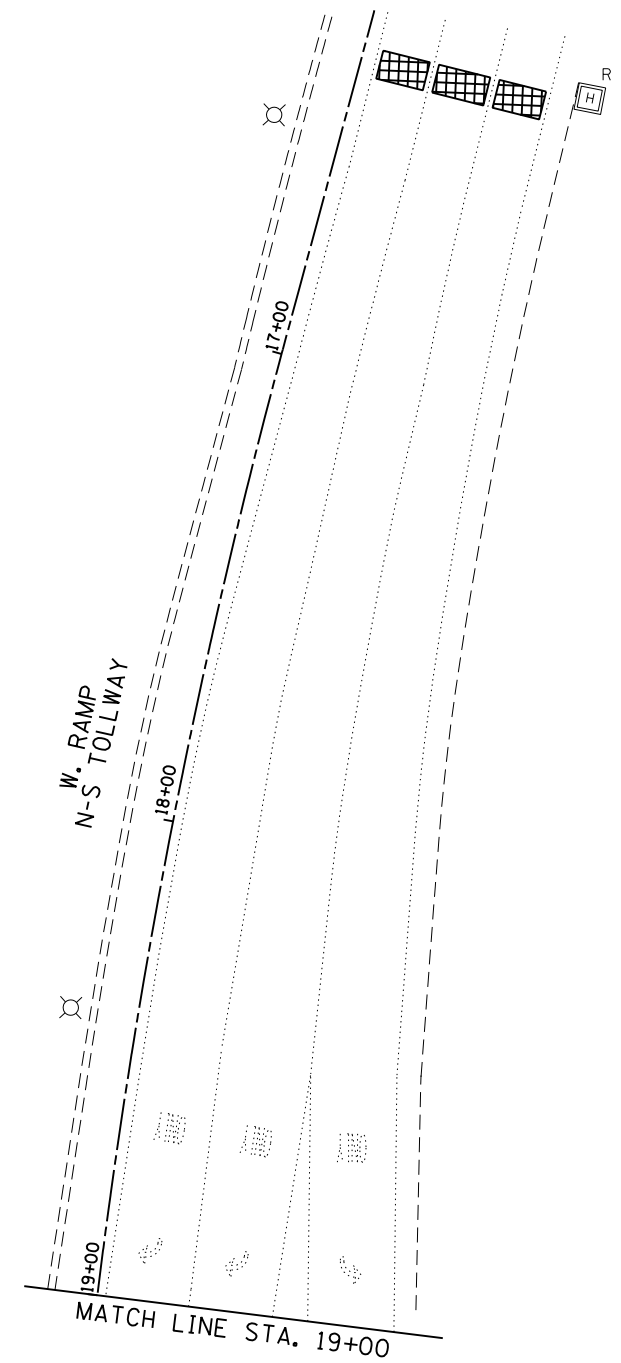


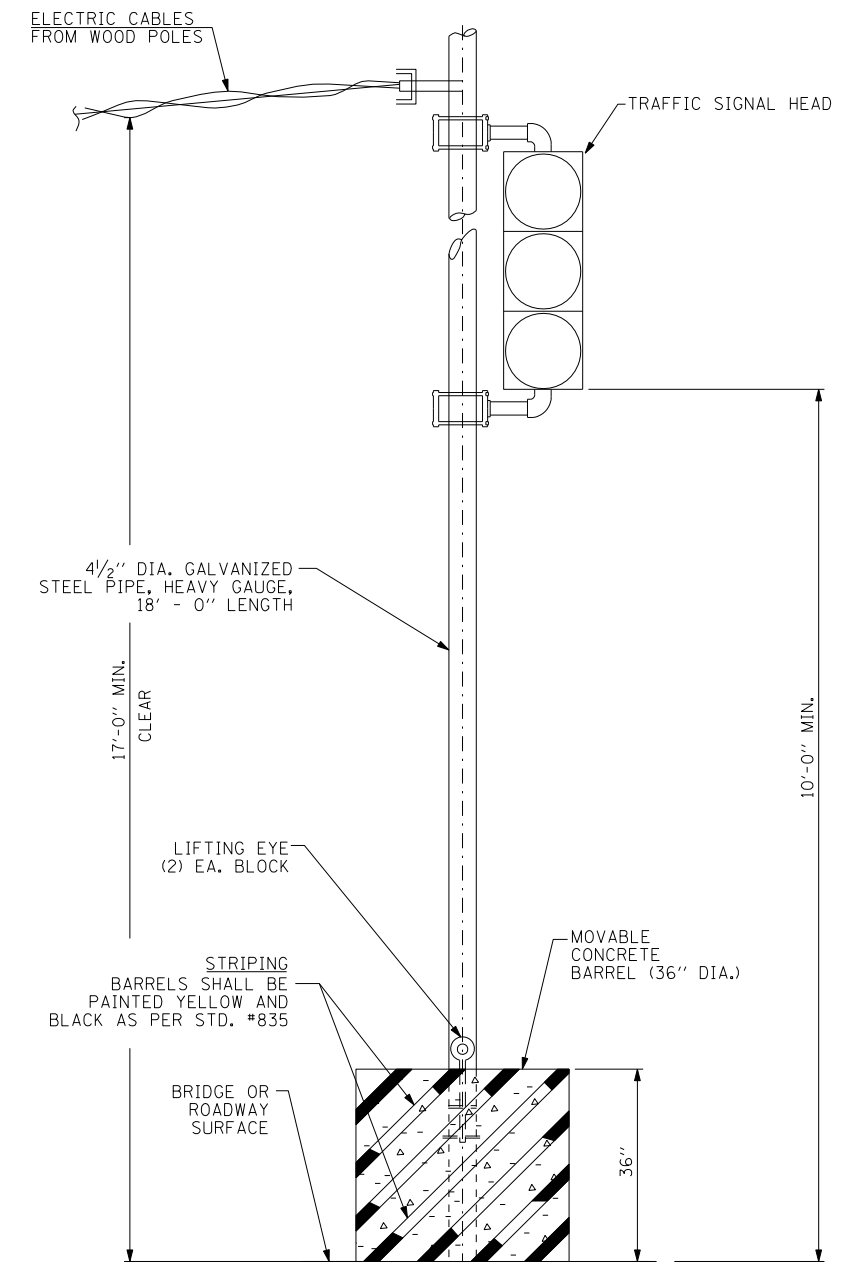
MATCH LINE STA. 114+00



MATCH LINE STA. 119+50



MATCH LINE STA. 19+00



TEMPORARY CONCRETE BARREL WITH POST

N.T.S.

NOTE 1: CONTRACTOR SHALL BE REQUIRED TO CONTACT THE ILLINOIS STATE TOLL HIGHWAY AUTHORITY BEFORE ANY WORK CAN BE PERFORMED WITHIN THEIR R.O.W...

THE TRAFFIC SIGNAL CONTROL EQUIPMENT FOR THIS PROJECT SHALL BE "ECONOLITE" TO MATCH THE EXISTING ADJACENT SYSTEM.

FILE NAME = \$FILEL\$	USER NAME = \$USER\$	DESIGNED - PKG	REVISED -	STATE OF ILLINOIS DEPARTMENT OF TRANSPORTATION	TEMPORARY TRAFFIC SIGNAL INSTALLATION PLAN AND REMOVAL PLAN ILLINOIS ROUTE 64 (NORTH AVENUE) AT WEST RAMPS (SHEET 2 OF 2)				F.A.P. RTE. 307	SECTION 2012-029-TS	COUNTY	TOTAL SHEETS 55	SHEET NO. 28
	PLOT SCALE = \$SCALE\$	DRAWN - EA, MG	REVISED -		SCALE: 1"=20'	SHEET NO.	OF SHEETS	STA.	TO STA.	DUPAGE	CONTRACT NO. 60T80		
	PLOT DATE = \$DATE\$	CHECKED - PKG	REVISED -							FED. ROAD DIST. NO. - [ILLINOIS] FED. AID PROJECT			
		DATE - 12/7/2012	REVISED -										