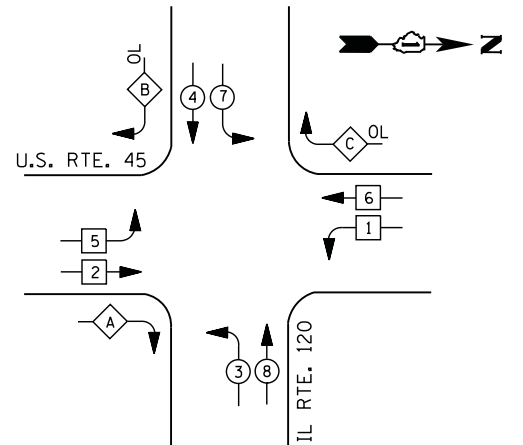


**CONTROLLER SEQUENCE**



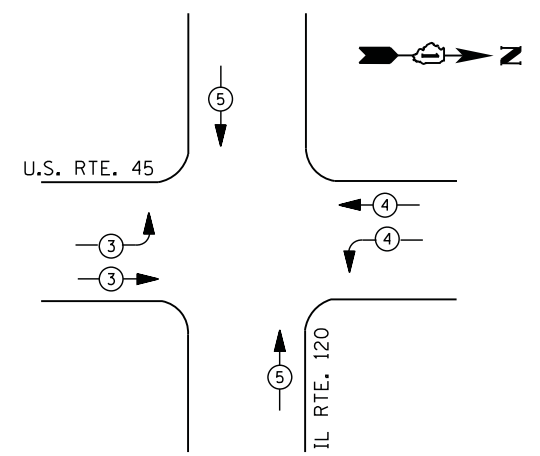
**LEGEND**

- ⊗ DUAL ENTRY PHASE
- ⊙ PEDESTRIAN PHASE
- ⊙ SINGLE ENTRY PHASE
- ⊙ OVERLAP
- \* NUMBER REFERS TO ASSOCIATED PHASE

**RIGHT TURN OVERLAP PHASE DESIGNATION**

OVERLAP LETTER	PERMISSIVE PHASE	PROTECTED PHASE	DISPLAY PHASE
A =	2 +	3 -	2
B =	4 +	5 -	4
C =	6 +	7 -	6

**PHASE DESIGNATION DIAGRAM**



**EMERGENCY VEHICLE PREEMPTION SEQUENCE**

EMERGENCY VEHICLE PREEMPTORS			
EMERGENCY VEHICLE PREEMPTOR	3	4	5
MOVEMENT			

**I. D. O. T.  
 TRAFFIC SIGNAL INSTALLATION  
 ELECTRICAL SERVICE REQUIREMENTS**

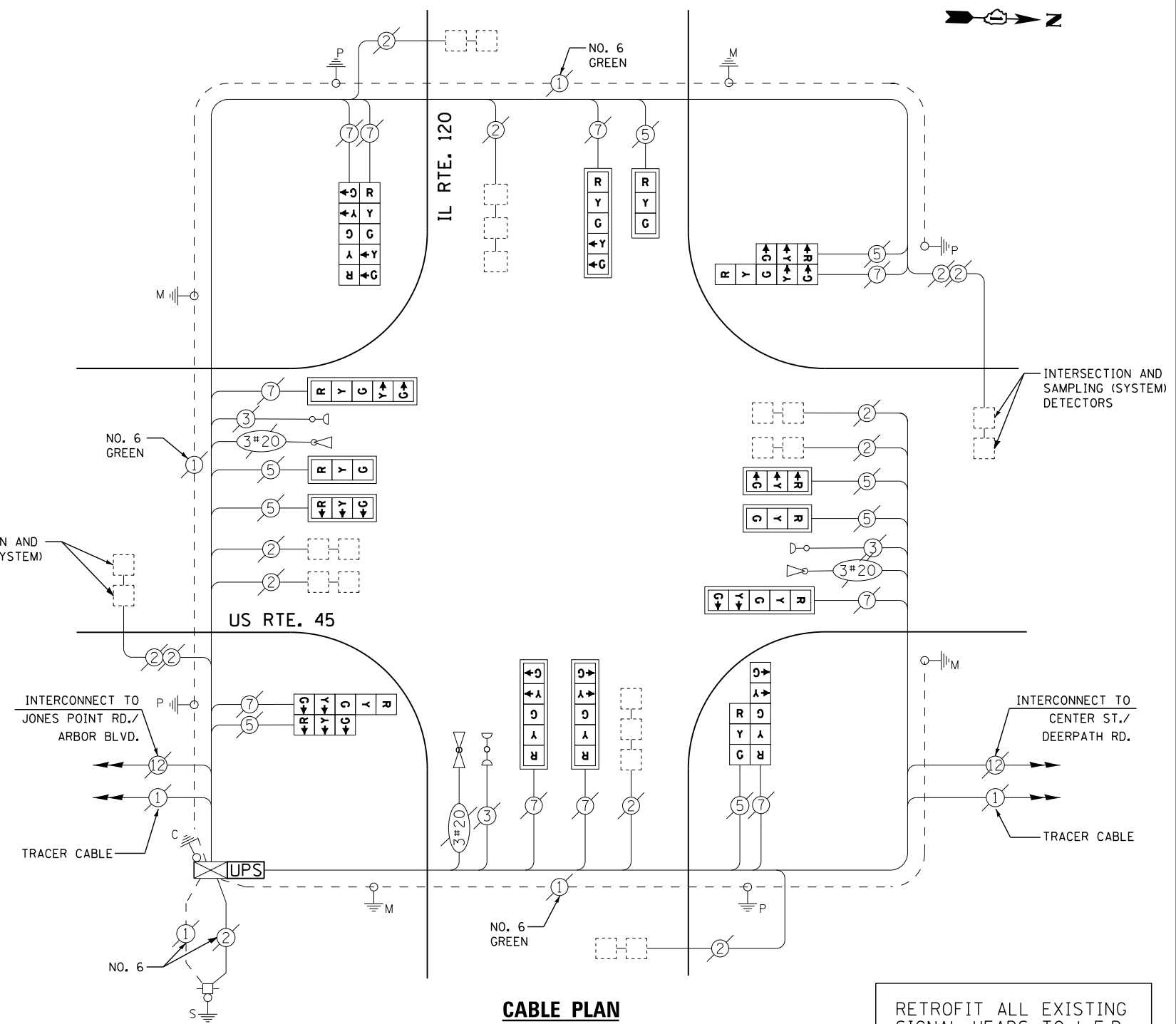
TYPE	NO. LAMPS	WATTAGE		% OPERATIONS	TOTAL WATTAGE
		INCAND.	LED		
SIGNAL ( RED )	18	135	17	0.50	153
( YELLOW )	18	135	25	0.25	113
( GREEN )	18	135	15	0.25	68
ARROW	20	135	12	0.10	24
PED. SIGNAL		90	25	1.00	--
CONTROLLER	1	100	100	1.00	100
ILLUM. SIGN		252	25	0.05	--
VIDEO SYSTEM	--	150	-	1.00	--
TOTAL =					458

ENERGY COSTS- BILLED TO: IDOT DISTRICT 1  
 201 WEST CENTER COURT  
 SCHAUMBURG, IL 60196-1096

ENERGY SUPPLY - CONTACT TERRI BLECK  
 PHONE 847-816-5239  
 COMMONWEALTH EDISON

**SCHEDULE OF QUANTITIES**

QUANTITY	UNIT	ITEM
1	EACH	MAINTENANCE OF EXISTING TRAFFIC SIGNAL INSTALLATION
1	EACH	MODIFY EXISTING CONTROLLER CABINET
1	EACH	UNINTERRUPTABLE POWER SUPPLY, SPECIAL
3	EACH	SIGNAL HEAD, LED, 2-FACE, 1-3 SECTION, BRACKET MOUNTED, RETROFIT
5	EACH	SIGNAL HEAD, LED, 1-FACE, 3-SECTION, MAST ARM MOUNTED, RETROFIT
5	EACH	SIGNAL HEAD, LED, 1-FACE, 5-SECTION, MAST ARM MOUNTED, RETROFIT
1	EACH	SIGNAL HEAD, LED, 2-FACE, 5-SECTION, BRACKET MOUNTED RETROFIT



**CABLE PLAN**

RETROFIT ALL EXISTING SIGNAL HEADS TO L.E.D

FILE NAME = USER NAME = \*\$USER\*  
 N:\Projects\3\12004\DesignCAD\Sheet Files\12-004 Sheets NW Lake Co\12305.CAB.LAKE.dgn  
 PLOT SCALE = \*\$SCALE\*  
 PLOT DATE = 12/10/2012

DESIGNED - DW  
 DRAWN - JDH  
 CHECKED - KMM  
 DATE -

REVISED -  
 REVISED -  
 REVISED -  
 REVISED -

**STATE OF ILLINOIS  
 DEPARTMENT OF TRANSPORTATION**

**US ROUTE 45 AT IL ROUTE 120  
 SCHEDULE OF QUANTITIES, CABLE PLAN, PHASE DESIGNATION DIAGRAM  
 AND EMERGENCY VEHICLE PREEMPTION SEQUENCE**

SCALE: N.T.S. SHEET NO. OF SHEETS STA. TO STA.

F.A. RTE. SECTION COUNTY TOTAL SHEETS SHEET NO.  
 2012-040TS LAKE 60 26  
 CONTRACT NO. 60T85  
 ILLINOIS FED. AID PROJECT

TS# 12305  
 GRAYSLAKE