

STATE OF ILLINOIS
DEPARTMENT OF TRANSPORTATION
DIVISION OF HIGHWAYS

**PROPOSED
HIGHWAY PLANS**

FAP 397/ILL 83 (SIBLEY BOULEVARD)
AT WALLACE STREET
SECTION: 104TS-1(12)
TRAFFIC SIGNAL INSTALLATION; TIMING/PROGRESSION; RESURFACING
PROJECT: HSI P-0397(005)
COOK COUNTY
C-91-500-12

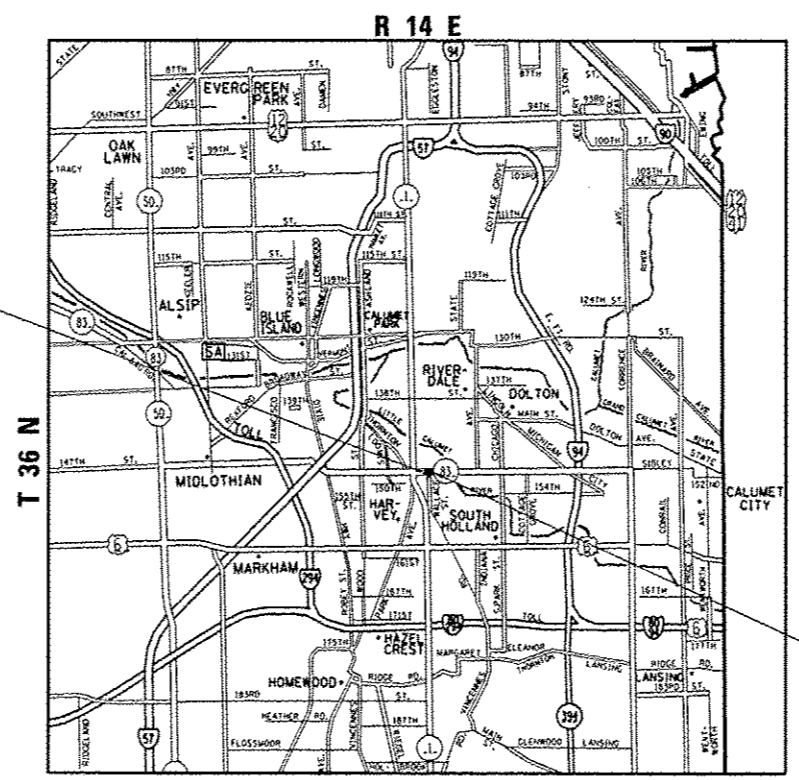
F.A.P. RTE.	SECTION	COUNTY	TOTAL SHEETS	SHEET NO.
397	104TS-1(12)	COOK	38	1
FED. ROAD DIST. NO.	ILLINOIS	CONTRACT NO. 60T92		

* 3841 = 39

D -91-500-12

FOR INDEX OF SHEETS, SEE SHEET NO. 2

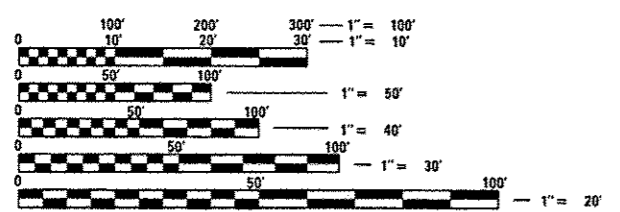
PROJECT IS LOCATED IN THE CITY OF HARVEY



PROJECT BEGINS STA. 17+38

TRAFFIC DATA
2009 ADT = 29,600
POSTED SPEED LIMIT = 35 MPH

PROJECT ENDS STA. 26+36



FULL SIZE PLANS HAVE BEEN PREPARED USING STANDARD ENGINEERING SCALES. REDUCED SIZED PLANS WILL NOT CONFORM TO STANDARD SCALES. IN MAKING MEASUREMENTS ON REDUCED PLANS, THE ABOVE SCALES MAY BE USED.

J.U.L.I.E.
JOINT UTILITY LOCATION INFORMATION FOR EXCAVATION
1-800-892-0123
OR 811

PROJECT ENGINEER KARI SMITH (847) 705-4437
PROJECT MANAGER KEN ENG (847) 705-4247

GROSS AND NET LENGTH OF IMPROVEMENT = 898.00 LINEAL FEET = 0.17 MILE

CONTRACT NO. 60T92

STATE OF ILLINOIS
DEPARTMENT OF TRANSPORTATION
DIVISION OF HIGHWAYS

SUBMITTED *December 20, 2012*

John D. Bauman, PE, Inc.
DEPUTY DIRECTOR OF HIGHWAYS, REGION ENGINEER

John D. Bauman, PE, Inc.
ENGINEER OF DESIGN AND ENVIRONMENT

Omer Osman, PE, Inc.
DIRECTOR OF HIGHWAYS, CHIEF ENGINEER

PRINTED BY THE AUTHORITY
OF THE STATE OF ILLINOIS

Rev. 2-20-13

INDEX OF SHEETS

SHEET NO.	DESCRIPTION
1	COVER SHEET
2	INDEX OF SHEETS, STANDARDS, AND GENERAL NOTES
3-6	SUMMARY OF QUANTITIES
7	TYPICAL SECTIONS PLAN
8	EXISTING & PROPOSED ROADWAY PLAN
9	EROSION CONTROL PLAN
10	PAVEMENT MARKING & LANDSCAPING PLAN
11-12	PLAT OF HIGHWAYS
13-28	PROPOSED TRAFFIC SIGNAL PLANS
29	DETAILS FOR FRAMES AND LIDS ADJUSTMENT WITH MILLING (BD-8)
30	CURB OR CURB AND GUTTER REMOVAL AND REPLACEMENT (BD-24)
31	BUTT JOINT AND HMA TAPER DETAILS (BD-32)
32	TRAFFIC CONTROL AND PROTECTION FOR SIDE ROADS, INTERSECTIONS, AND DRIVEWAYS (TC-10)
33	TYPICAL APPLICATIONS RAISED REFLECTIVE PAVEMENT MARKERS (SNOW-PLOW RESISTANT) (TC-11)
34	DISTRICT ONE TYPICAL PAVEMENT MARKINGS (TC-13)
35	TRAFFIC CONTROL AND PROTECTION AT TURN BAYS (TO REMAIN OPEN TO TRAFFIC) (TC-14)
36	PAVEMENT MARKING LETTERS AND SYMBOLS FOR TRAFFIC STAGING (TC-16)
37	ARTERIAL ROAD INFORMATION SIGN (TC-22)
38	DISTRICT ONE DETECTOR LOOP INSTALLATION DETAILS FOR ROADWAY RESURFACING (TS-07)

38A. FIRE HYDRANT TO BE REM./REPL.

THE CONTRACTOR SHALL TAKE ALL NECESSARY PRECAUTIONS FOR THE PROTECTION OF EXISTING PLANT MATERIAL FOR WHICH THE CONTRACT DOES NOT PROVIDE REMOVAL. THE PROTECTION OF EXISTING PLANT MATERIAL AND THE REPAIR OR REPLACEMENT OF EXISTING PLANT MATERIAL DAMAGED BY THE CONTRACTOR SHALL BE DONE IN ACCORDANCE WITH THE REQUIREMENTS OF SECTION 201 OF THE STANDARD SPECIFICATIONS. ANY DAMAGE TO EXISTING PLANT MATERIAL DUE TO THE CONTRACTOR'S OPERATIONS SHALL BE REPLACED IN KIND AT THEIR EXPENSE

ANY REFERENCE TO STANDARDS THROUGHOUT THE PLANS OR SPECIAL PROVISIONS SHALL BE INTERPRETED TO BE THE LATEST STANDARDS OF THE ILLINOIS DEPARTMENT OF TRANSPORTATION

THE CONTRACTOR SHALL CHECK THE PROPOSED TRAFFIC SIGNAL EQUIPMENT LOCATIONS FOR OVERHEAD UTILITY CONFLICTS. THE CONTRACTOR SHALL COORDINATE ANY CONFLICTS WITH THE UTILITY COMPANIES AND THE RESIDENT ENGINEER BEFORE ORDERING MATERIALS

LAYOUT AND STAKING FOR ALL CONSTRUCTION OPERATIONS SHALL BE PROVIDED BY THE CONTRACTOR

THE CONTRACTOR'S OPERATIONS AND TEMPORARY STORAGE ACTIVITIES SHALL BE LIMITED TO THE WORK AREA AND/OR CONSTRUCTION LIMITS. ANY ADDITIONAL STAGING AREAS ADJACENT TO THE PROJECT ARE SUBJECT TO PRIOR APPROVAL BY THE APPROPRIATE AGENCY. NO ADDITIONAL COMPENSATION WILL BE ALLOWED TO THE CONTRACTOR FOR COMPLIANCE WITH THE ABOVE REQUIREMENTS

CONTRACTOR SHALL PROTECT ALL EXISTING UTILITIES ALONG THE PROJECT CORRIDOR, INCLUDING POWER POLES, TELEPHONE PEDESTALS, GAS VALVES AND ANY OTHER UTILITIES IDENTIFIED BY THE ENGINEER. THE CONTRACTOR SHALL CONTACT THE APPROPRIATE UTILITY AGENCY IF CONFLICTS ARE IDENTIFIED IN THE FIELD

CONTRACTOR SHALL PERFORM EXPLORATORY EXCAVATION AT LOCATIONS INDICATED ON THE PLAN SHEETS AS POTENTIAL UTILITY CONFLICTS AND AS SUGGESTED BY THE ENGINEER TO DETERMINE THE EXACT HORIZONTAL AND VERTICAL LOCATIONS OF EXISTING UTILITIES

MODIFICATIONS TO PROPOSED HANDHOLES NECESSARY TO INTERCEPT EXISTING CONDUITS SHALL NOT BE MEASURED FOR PAYMENT BUT SHALL BE INCIDENTAL TO THE PAY ITEM HANDHOLE

LIST OF STATE STANDARDS

STANDARD NO.	DESCRIPTION
000001-06	STANDARD SYMBOLS, ABBREVIATIONS AND PATTERNS
424001-07	PERPENDICULAR CURB RAMPS FOR SIDEWALKS
424006-01	DIAGONAL CURB RAMPS FOR SIDEWALKS
424011-01	CORNER PARALLEL CURB RAMPS FOR SIDEWALKS
424016-01	MID-BLOCK CURB RAMPS FOR SIDEWALKS
424021-01	DEPRESSED CORNER FOR SIDEWALKS
604001-03	FRAME AND LIDS, TYPE I
606001-04	CONCRETE CURB TYPE B AND COMBINATION CONCRETE CURB AND GUTTER
701101-03	OFF-ROAD OPERATIONS, MULTILANE, 15'(4.5M) TO 24'(600MM) FROM PAVEMENT EDGE
701427-01	LANE CLOSURE, INTERMITTENT OR MOVING OPERATION FOR SPEEDS <=40 MPH
701501-06	URBAN LANE CLOSURE, 2L, 2W, UNDIVIDED
701701-08	URBAN LANE CLOSURE, MULTILANE INTERSECTION
701801-05	SIDEWALK CORNER OR CROSSWALK CLOSURE
701901-02	TRAFFIC CONTROL DEVICES
720001-01	SIGN PANEL MOUNTING DETAILS
720006-03	SIGN PANEL ERECTION DETAILS
720011-01	METAL POSTS FOR SIGNS, MARKERS AND DELINEATORS
729001-01	APPLICATIONS OF TYPES A & B METAL POSTS (FOR SIGNS & MARKERS)
780001-03	TYPICAL PAVEMENT MARKINGS
781001-03	TYPICAL APPLICATIONS RAISED REFLECTIVE PAVEMENT MARKERS
805001-01	ELECTRIC SERVICE INSTALLATION DETAILS
814001-02	HANDHOLES
814006-02	DOUBLE HANDHOLES
857001-01	STANDARD PHASE DESIGNATION DIAGRAMS AND PHASE SEQUENCES
862001-01	UNINTERRUPTABLE POWER SUPPLY (UPS)
873001-02	TRAFFIC SIGNAL GROUNDING & BONDING
877001-05	STEEL MAST ARM ASSEMBLY AND POLE 16' THROUGH 55'
878001-09	CONCRETE FOUNDATION DETAILS
880006-01	TRAFFIC SIGNAL MOUNTING DETAILS
886001-01	DETECTOR LOOP INSTALLATIONS

GENERAL NOTES

BEFORE STARTING ANY EXCAVATION, THE CONTRACTOR SHALL CALL "JULIE" AT 800-892-0123 OR 811 FOR FIELD LOCATIONS OF BURIED ELECTRIC, TELEPHONE AND GAS FACILITIES. (48 HOUR NOTIFICATION IS REQUIRED).

THE CONTRACTOR SHALL COORDINATE CONSTRUCTION ACTIVITIES WITH UTILITY COMPANIES AND THE CITY OF HARVEY

THE CONTRACTOR WILL NOT BE ALLOWED TO SET UP A YARD OR FIELD OFFICE ON STATE PROPERTY WITHOUT WRITTEN PERMISSION FROM THE DEPARTMENT

WHEN MILLED PAVEMENT IS OPEN TO TRAFFIC THE MAXIMUM GRADE DIFFERENTIAL BETWEEN PASSES OF THE MILLING MACHINE SHALL NOT EXCEED 1 1/2 INCHES (40 MM) WHERE THE SPEED LIMIT IS 45 MPH (45 KM/H) OR LESS AND 1 INCH WHERE THE SPEED LIMIT IS GREATER THAN 45 MPH (45 KM/H). WITH WRITTEN APPROVAL FROM THE ENGINEER, A MAXIMUM GRADE DIFFERENTIAL OF 3 INCHES MAY BE ALLOWED IF THE EDGE OF THE MILLING IS SLOPED A MINIMUM 1:3 (V:H).

BUTT JOINTS WILL BE INSTALLED AT THE ENDS OF ALL RESURFACING (WHERE RESURFACING MEETS EXISTING PAVEMENT), IN ACCORDANCE WITH THE "BUTT JOINT AND HOT-MIX ASPHALT TAPER DETAILS" SHEET INCLUDED IN THE PLANS, UNLESS OTHERWISE SPECIFIED.

THE RESIDENT ENGINEER SHALL CONTACT MS. PATRICE HARRIS AREA TRAFFIC FIELD TECHNICIAN AT (708) 597-9800 A MINIMUM OF 2 WEEKS PRIOR TO PLACEMENT OF PERMANENT PAVEMENT MARKING.

THE RESIDENT ENGINEER SHALL VERIFY ALL EXISTING PAVEMENT MARKINGS BEFORE MILLING

DO NOT SCALE PLANS FOR CONSTRUCTION DIMENSIONS

DOUBLE LANE MARKERS ARE TO BE USED AS SHOWN ON THE DISTRICT ONE DETAIL "TYPICAL APPLICATIONS - RAISED REFLECTIVE PAVEMENT MARKERS (SNOW-PLOW RESISTANT)" SHOWN IN THE PLANS.

IT SHALL BE THE CONTRACTOR'S RESPONSIBILITY TO VERIFY ALL DIMENSIONS AND CONDITIONS EXISTING IN THE FIELD PRIOR TO CONSTRUCTION AND ORDERING OF MATERIALS

THE CONTRACTOR SHALL CONTACT THE DISTRICT ONE TRAFFIC CONTROL SUPERVISOR AT (847)705-4470 A MINIMUM OF 72 HOURS IN ADVANCE OF BEGINNING WORK.

THE CONTRACTOR SHALL BE REQUIRED TO PROVIDE ACCESS TO ABUTTING PROPERTY AT ALL TIMES DURING THE CONSTRUCTION OF THIS PROJECT.

BEFORE BEGINNING ANY WORK, THE CONTRACTOR SHALL RETAIN AND RECORD FOR FUTURE REFERENCE, ALL EXISTING PAVEMENT MARKINGS LINES (AND RAISED REFLECTIVE MARKINGS) IN ORDER THAT THESE LOCATIONS CAN BE RE-ESTABLISHED FOR STRIPING. EXACT LOCATIONS OF ALL PAVEMENT MARKINGS SHALL BE AS DIRECTED BY THE ENGINEER.

THE LOCATIONS OF THE VARIOUS UNDERGROUND UTILITIES AS SHOWN ON THE PLANS ARE APPROXIMATE. THE CONTRACTOR SHALL USE SPECIAL CARE WHEN CONDUCTING CONSTRUCTION OPERATIONS NEAR THEM TO PREVENT DAMAGE

WHERE SECTION OR SUBSECTION MONUMENTS ARE ENCOUNTERED, THE ENGINEER SHALL BE NOTIFIED BEFORE SUCH MONUMENTS ARE REMOVED. THE CONTRACTOR SHALL PROTECT AND CAREFULLY PRESERVE ALL PROPERTY MARKER MONUMENTS UNTIL THE OWNER, AN AUTHORIZED AGENT, OR LAND SURVEYOR HAS WITNESSED OR OTHERWISE REFERENCE THEIR LOCATION. THE CONTRACTOR WILL BE RESPONSIBLE FOR HAVING AN AUTHORIZED SURVEYOR REESTABLISH ANY SECTION OR SUB-SECTION MONUMENTS DISRUPTED BY THEIR OPERATIONS

BARRICADES: ALL UNBALLASTED TYPE I AND TYPE II BARRICADES SHALL HAVE TWO (2) SANDBAGS ON THE BOTTOM RAIL. A TYPE III BARRICADE SHALL REQUIRE A MINIMUM OF FOUR (4) SANDBAGS

CONTRACTOR SHALL TAKE CARE TO PROTECT EXISTING SIDEWALK AND LANDSCAPING AT LOCATIONS NOT SHOWN IN THE PLANS TO BE REMOVED AND AS DIRECTED BY THE ENGINEER. SIDEWALK AND LANDSCAPING TO BE PROTECTED THAT IS DAMAGED BY THE CONTRACTOR'S OPERATIONS SHALL BE REPLACED IN KIND AT THEIR EXPENSE

Rem. 2-20-13

SUMMARY OF QUANTITIES			CONSTRUCTION TYPE CODE				
CODE NO	ITEM	UNIT	TOTAL QUANTITIES	ROADWAY 0005 90% FED 10% STATE	TRAFFIC SIGNAL 0021 90% FED 5% STATE 5% CITY OF HARVEY	EVP 0021 100% CITY OF HARVEY	INTER CONNECT 0021 90% FED 10% STATE
20101200	TREE ROOT PRUNING	EACH	1		1		
20201200	REMOVAL AND DISPOSAL OF UNSUITABLE MATERIAL	CU YD	28	28			
21101615	TOPSOIL FURNISH AND PLACE, 4"	SO YD	105.5	105.5			
25200110	SODDING, SALT TOLERANT	SO YD	105.5	105.5			
28000510	INLET FILTERS	EACH	9	9			
31101200	SUBBASE GRANULAR MATERIAL, TYPE B 4"	SO YD	72	72			
40600200	BITUMINOUS MATERIALS (PRIME COAT)	TON	4.5	4.5			
40600300	AGGREGATE (PRIME COAT)	TON	22	22			
40600400	MIXTURE FOR CRACKS, JOINTS, AND FLANGEWAYS	TON	8	8			
40600827	POLYMERIZED LEVELING BINDER (MACHINE METHOD), IL-4.75, N50	TON	229	229			
40600895	CONSTRUCTING TEST STRIP	EACH	1	1			
40600982	HOT-MIX ASPHALT SURFACE REMOVAL - BUTT JOINT	SO YD	56.5	56.5			
40603595	POLYMERIZED HOT-MIX ASPHALT SURFACE COURSE, MIX "F", N90	TON	543	543			

SUMMARY OF QUANTITIES			CONSTRUCTION TYPE CODE				
CODE NO	ITEM	UNIT	TOTAL QUANTITIES	ROADWAY 0005 90% FED 10% STATE	TRAFFIC SIGNAL 0021 90% FED 5% STATE 5% CITY OF HARVEY	EVP 0021 100% CITY OF HARVEY	INTER CONNECT 0021 90% FED 10% STATE
42001300	PROTECTIVE COAT	SO YD	167	167			
42400200	PORTLAND CEMENT CONCRETE SIDEWALK 5 INCH	SO FT	950	950			
42400800	DETECTABLE WARNINGS	SO FT	196.4	196.4			
44000159	HOT-MIX ASPHALT SURFACE REMOVAL, 2 1/2"	SO YD	5530	5530			
44000500	COMBINATION CURB AND GUTTER REMOVAL	FOOT	200	200			
44000600	SIDEWALK REMOVAL	SO FT	1030	1030			
50400510	FIRE HYDRANTS TO BE REMOVED & REPLACED	EACH	1				1
60300305	FRAMES AND LIDS TO BE ADJUSTED	EACH	10	10			
60603800	COMBINATION CONCRETE CURB AND GUTTER, TYPE B-6.12	FOOT	50	50			
60605000	COMBINATION CONCRETE CURB AND GUTTER, TYPE B-6.24	FOOT	150	150			
*66900200	NON-SPECIAL WASTE DISPOSAL	CU YD	500	500			
67000400	ENGINEER'S FIELD OFFICE, TYPE A	CAL MO	6	6			
*66900450	SPECIAL WASTE PLANS & REPORTS	L SUM	1	1			
67100100	MOBILIZATION	L SUM	1	1			
*66900530	SOIL DISPOSAL ANALYSIS	EACH	3	3			
70102620	TRAFFIC CONTROL AND PROTECTION, STANDARD 701501	L SUM	1	1			
70102635	TRAFFIC CONTROL AND PROTECTION, STANDARD 701701	L SUM	1	1			

UTILITY
0043
100%
HARVEY

50400510 FIRE HYDRANTS TO BE REMOVED & REPLACED EACH 1 1

*66900200 NON-SPECIAL WASTE DISPOSAL CU YD 500 500

*66900450 SPECIAL WASTE PLANS & REPORTS L SUM 1 1

*66900530 SOIL DISPOSAL ANALYSIS EACH 3 3

Rev. 2-20-13

FILE NAME *	USER NAME * gdl/m/mb	DESIGNED -	REVISED -
DATE * 12/21/2012	PLOT SCALE * 100000' / 1" =	DRAWN -	REVISED -
		CHECKED -	REVISED -
		DATE -	REVISED -

STATE OF ILLINOIS
DEPARTMENT OF TRANSPORTATION

SUMMARY OF QUANTITIES		F.A.P. RTE. 397	SECTION 104TS-11(2)	COUNTY COOK	TOTAL SHEETS 38	SHEET NO. 3
SCALE:	SHEET NO. OF SHEETS STA.	TO STA.	CONTRACT NO. 60T92			
FED. ROAD DIST. NO. 1 (ILLINOIS) FED. AID PROJECT						

SUMMARY OF QUANTITIES				CONSTRUCTION TYPE CODE					SUMMARY OF QUANTITIES				CONSTRUCTION TYPE CODE							
CODE NO	ITEM	UNIT	TOTAL QUANTITIES	ROADWAY 0005 90% FED 10% STATE	TRAFFIC SIGNAL 0021 90% FED 5% STATE 5% CITY OF HARVEY	EVP 0021 100% CITY OF HARVEY	INTER CONNECT 0021 90% FED 10% STATE			CODE NO	ITEM	UNIT	TOTAL QUANTITIES	ROADWAY 0005 90% FED 10% STATE	TRAFFIC SIGNAL 0021 90% FED 5% STATE 5% CITY OF HARVEY	EVP 0021 100% CITY OF HARVEY	INTER CONNECT 0021 90% FED 10% STATE			
81400100	HANDHOLE	EACH	6		6					87301900	ELECTRIC CABLE IN CONDUIT, EQUIPMENT	FOOT	518		518					
											GROUNDING CONDUCTOR, NO. 6 1C									
81400200	HEAVY-DUTY HANDHOLE	EACH	2		2					87502490	TRAFFIC SIGNAL POST, GALVANIZED STEEL	EACH	2		2					
											15 FT.									
81400300	DOUBLE HANDHOLE	EACH	1		1					87502500	TRAFFIC SIGNAL POST, GALVANIZED STEEL	EACH	2		2					
											16 FT.									
85000200	MAINTENANCE OF EXISTING TRAFFIC SIGNAL	EACH	2				2			87700160	STEEL MAST ARM ASSEMBLY AND POLE, 24	EACH	1		1					
	INSTALLATION										FT.									
86400100	TRANSCEIVER - FIBER OPTIC	EACH	1		1					87700210	STEEL MAST ARM ASSEMBLY AND POLE, 34	EACH	2		2					
											FT.									
87300925	ELECTRIC CABLE IN CONDUIT, TRACER, NO.	FOOT	4516				4516			87700220	STEEL MAST ARM ASSEMBLY AND POLE, 36	EACH	1		1					
	14 1C										FT.									
87301215	ELECTRIC CABLE IN CONDUIT, SIGNAL NO.	FOOT	427		427					87800100	CONCRETE FOUNDATION, TYPE A	FOOT	16		16					
	14 2C																			
87301225	ELECTRIC CABLE IN CONDUIT, SIGNAL NO.	FOOT	728.5		455	273.5				87800150	CONCRETE FOUNDATION, TYPE C	FOOT	4		4					
	14 3C																			
87301245	ELECTRIC CABLE IN CONDUIT, SIGNAL NO.	FOOT	1029.5		1029.5					87800400	CONCRETE FOUNDATION, TYPE E 30-INCH	FOOT	10		10					
	14 5C										DIAMETER									
87301255	ELECTRIC CABLE IN CONDUIT, SIGNAL NO.	FOOT	1344.5		1344.5					87800415	CONCRETE FOUNDATION, TYPE E 36-INCH	FOOT	33		33					
	14 7C										DIAMETER									
87301305	ELECTRIC CABLE IN CONDUIT, LEAD-IN, NO.	FOOT	1157.5		1157.5					87900200	DRILL EXISTING HANDHOLE	EACH	1					1		
	14 1 PAIR																			
87301805	ELECTRIC CABLE IN CONDUIT, SERVICE, NO.	FOOT	35.5		35.5															
	6 2 C																			

1

FILE NAME: c:\p\work\p10415\10415-112\10415-112-1000-Desig.dgn
 USER NAME: gullmuth
 PLOT SCALE: 1:100000
 PLOT DATE: 12/21/2012

DESIGNED -
 DRAWN -
 CHECKED -
 DATE -
 REVISED -
 REVISED -
 REVISED -
 REVISED -

STATE OF ILLINOIS
 DEPARTMENT OF TRANSPORTATION

**Specialty Hems*

SUMMARY OF QUANTITIES

SCALE: SHEET NO. OF SHEETS STA. TO STA.

F.A.P. RTE. 397 SECTION 10415-1112) COUNTY COOK TOTAL SHEETS 39 SHEET NO. 5 CONTRACT NO. 60T92
 ILLINOIS FED. AID PROJECT

REV. 2-20-13

SUMMARY OF QUANTITIES				CONSTRUCTION TYPE CODE					SUMMARY OF QUANTITIES				CONSTRUCTION TYPE CODE				
CODE NO	ITEM	UNIT	TOTAL QUANTITIES	ROADWAY 0005 90% FED 10% STATE	TRAFFIC SIGNAL 0021 90% FED 5% STATE 5% CITY OF HARVEY	EVP 0021 100% CITY OF HARVEY	INTER CONNECT 0021 90% FED 10% STATE	CODE NO	ITEM	UNIT	TOTAL QUANTITIES	ROADWAY 0005 90% FED 10% STATE	TRAFFIC SIGNAL 0021 90% FED 5% STATE 5% CITY OF HARVEY	EVP 0021 100% CITY OF HARVEY	INTER CONNECT 0021 90% FED 10% STATE		
88030020	SIGNAL HEAD, LED, 1-FACE, 3-SECTION, MAST-ARM MOUNTED	EACH	6		6			X 89502300	REMOVE ELECTRIC CABLE FROM CONDUIT	FOOT	8832				8832		
88030070	SIGNAL HEAD, LED, 1-FACE, 4-SECTION, BRACKET MOUNTED	EACH	2		2			X 89502380	REMOVE EXISTING HANDHOLE	EACH	1				1		
88030080	SIGNAL HEAD, LED, 1-FACE, 4-SECTION, MAST ARM MOUNTED	EACH	2		2			X X0324085	EMERGENCY VEHICLE PRIORITY SYSTEM LINE SENSOR CABLE, NO. 20 3/C	FOOT	273.5			273.5			
88030100	SIGNAL HEAD, LED, 1-FACE, 5-SECTION, BRACKET MOUNTED	EACH	2		2			X X0327318	VIDEO DETECTION SYSTEM, PARTIAL	EACH	1		1				
88030110	SIGNAL HEAD, LED, 1-FACE, 5-SECTION, MAST-ARM MOUNTED	EACH	2		2			X X6030310	FRAMES AND LIDS TO BE ADJUSTED (SPECIAL)	EACH	10	10					
88102717	PEDESTRIAN SIGNAL HEAD, LED, 1-FACE, BRACKET MOUNTED WITH COUNTDOWN TIMER	EACH	4		4			X X8570226	FULL-ACTUATED CONTROLLER AND TYPE IV CABINET, SPECIAL	EACH	1		1				
88200210	TRAFFIC SIGNAL BACKPLATE, LOUVERED, ALUMINUM	EACH	10		10			X X8620200	UNINTERRUPTABLE POWER SUPPLY, SPECIAL	EACH	1		1				
88500100	INDUCTIVE LOOP DETECTOR	EACH	7		7			X X8710024	FIBER OPTIC CABLE IN CONDUIT, NO. 62.5/125, MM12F SM24F	FOOT	4516				4516		
88600100	DETECTOR LOOP, TYPE I	FOOT	515		515			X XX005431	LOCATING UNDERGROUND UTILITY	EACH	3		3				
88700200	LIGHT DETECTOR	EACH	2			2		Z0013798	CONSTRUCTION LAYOUT	L SUM	1	1					
88700300	LIGHT DETECTOR AMPLIFIER	EACH	1			1		Z0018500	DRAINAGE STRUCTURES TO BE CLEANED	EACH	31	31					
88800100	PEDESTRIAN PUSH-BUTTON	EACH	4		4			Z0030850	TEMPORARY INFORMATION SIGNING	SQ FT	51.4	51.4					
								X Z0033046	RE-OPTIMIZE TRAFFIC SIGNAL SYSTEM LEVEL	EACH	1				1		

△ *

△

△

△ *

13

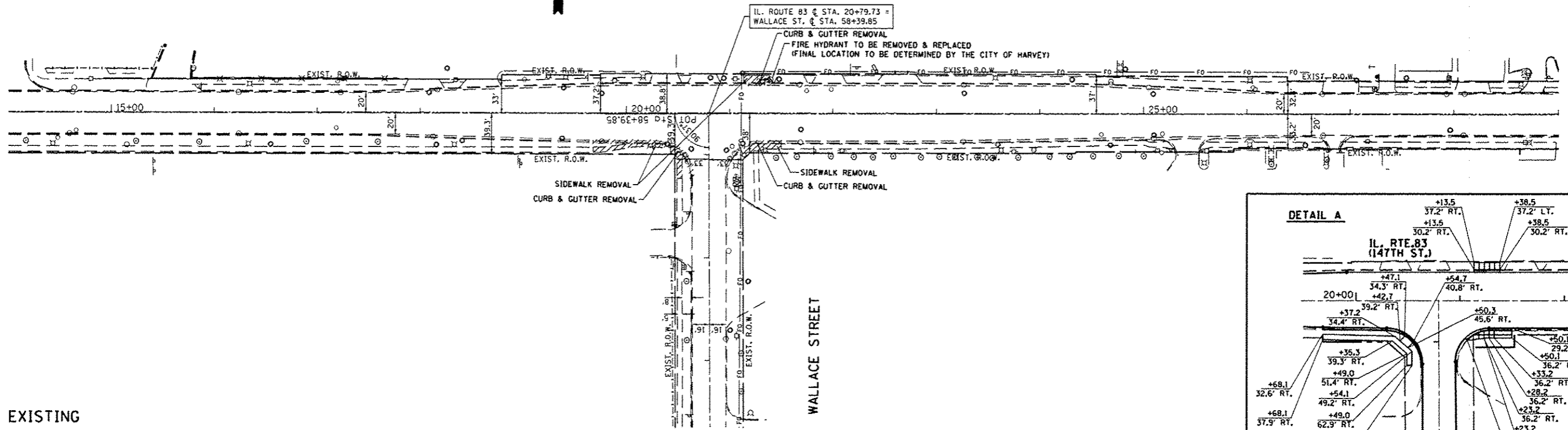
△ 100% STATE

* Specialty Items

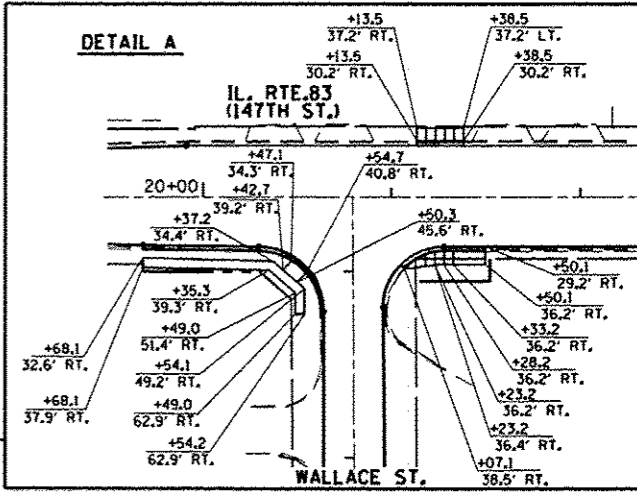
△ Rev. 2-28-13



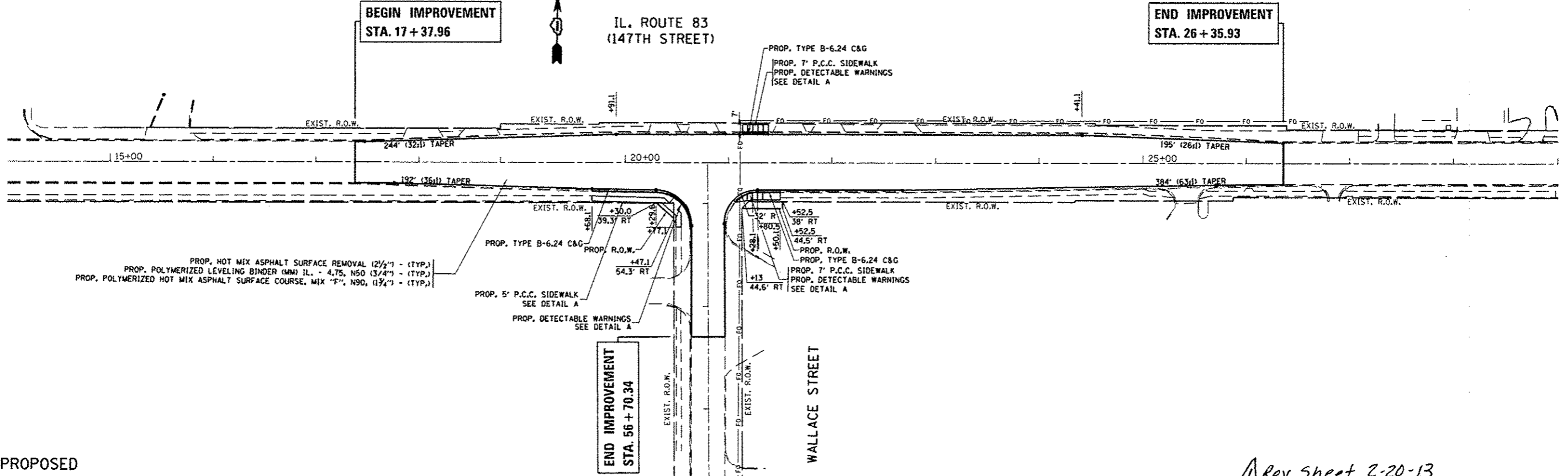
IL. ROUTE 83
(147TH STREET)



EXISTING



IL. ROUTE 83
(147TH STREET)

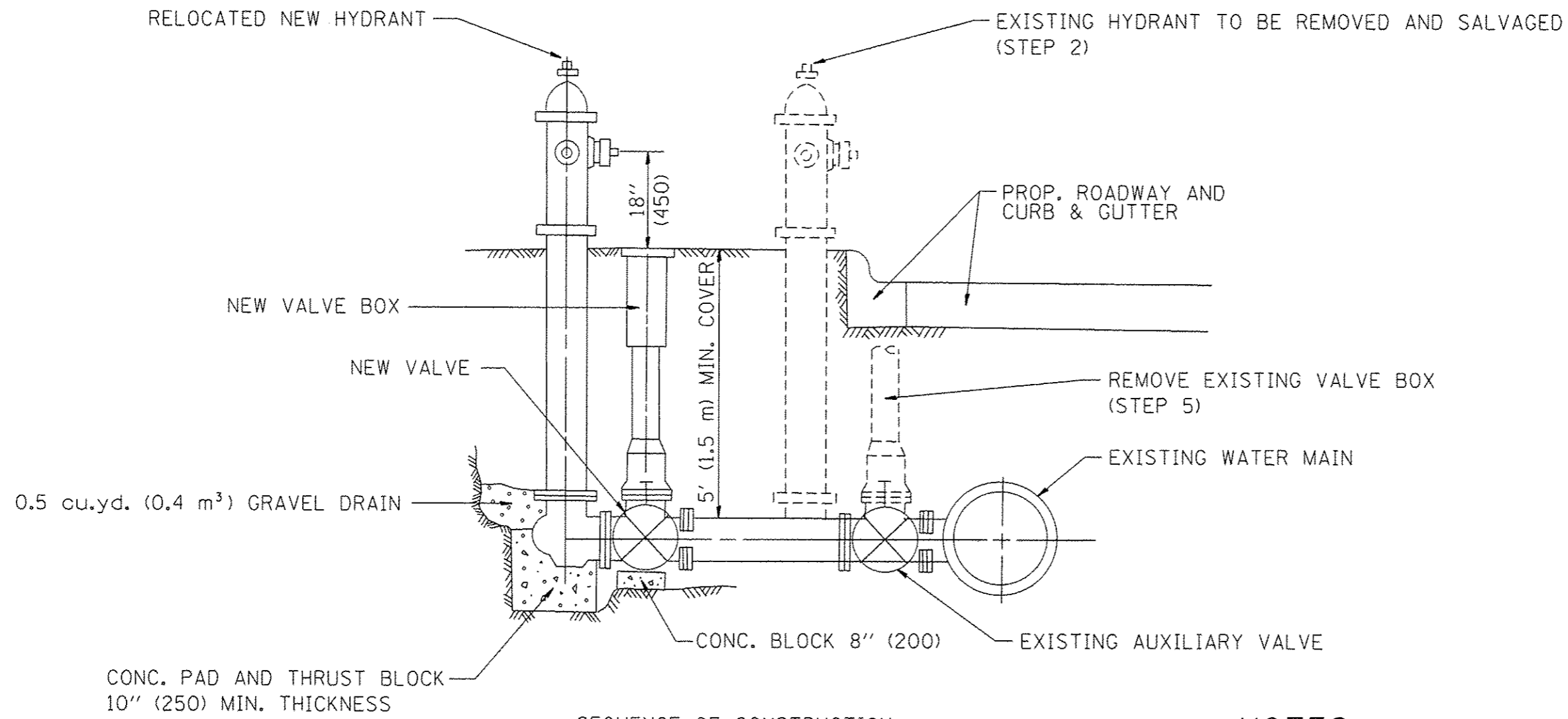


PROPOSED

Rev. Sheet 2-20-13

FILE NAME *	USER NAME * guilleumefp	DESIGNED -	REVISED -	STATE OF ILLINOIS DEPARTMENT OF TRANSPORTATION	ROADWAY PLAN IL. RTE. 83 AT WALLACE ST.	F.A.P. RTE.	SECTION	COUNTY	TOTAL SHEETS	SHEET NO.
0:\p\work\p\dot\guilleumefp\0307141\13609-shr-plan.dgn	3609-shr-plan.dgn	DRAWN -	REVISED -			397	1047S-1(12)	COOK	30	8
PLOT SCALE * 1/8"=1'-0"		CHECKED -	REVISED -			SCALE: 1"=50'		SHEET OF SHEETS		CONTRACT NO. 60T92
MODELNAME	PLOT DATE * 1/28/2013	DATE -	REVISED -			STA. TO STA.		ILLINOIS FED. AID PROJECT		

1113609-shr-plan.dgn, 1/30/2013 12:56:46 PM User:guilleumefp



SEQUENCE OF CONSTRUCTION:

1. CLOSE EXISTING VALVE.
2. REMOVE EXISTING HYDRANT.
3. INSTALL HYDRANT EXTENSION AND NEW VALVE.
4. RELOCATE NEW HYDRANT.
5. OPEN EXISTING VALVE, REMOVE BOX.
6. BACKFILL.
7. FLUSH AND TEST FOR CHLORIDE RESIDUAL AND PROVIDE TEST.

NOTES:

NEW HYDRANTS SHALL BE APPROVED BY THE HARVEY PUBLIC WORKS DIRECTOR AND/ OR HARVEY FIRE CHIEF

THE COST FOR THIS WORK, MATERIALS, LABOR TOOLS, EQUIPMENT AND INCIDENTALS NECESSARY WILL BE PAID FOR AT THE CONTRACT UNIT PRICE PER EACH FOR FIRE HYDRANT TO BE REMOVED AND REPLACED

ALL WORK TO BE DONE IN ACCORDANCE WITH ARTICLE 564 OF THE STANDARD SPECIFICATIONS. NEW VALVE, BOX AND HYDRANT SHALL BE SAME MAKE AND MODEL AS EXISTING.

FIRE HYDRANT TO BE REMOVED AND REPLACED

Added Sheet 2-20-13

ALL DIMENSIONS ARE IN INCHES (MILLIMETERS) UNLESS OTHERWISE SHOWN.

FILE NAME =	USER NAME = guillaumefp	DESIGNED -	REVISED - R. SHAH 09-09-94	STATE OF ILLINOIS DEPARTMENT OF TRANSPORTATION	FIRE HYDRANT (HARVEY) TO BE REMOVED AND REPLACED			F.A.R. RTE.	SECTION	COUNTY	TOTAL SHEETS	SHEET NO.
c:\pe_work\pwidot\guillaumefp\d8307142\01515.dgn		DRAWN -	REVISED - R. SHAH 10-25-94		357	104TS-1(12)	COOK	38	38A			
PLOT SCALE = 1/8" = 1'-0"		CHECKED -	REVISED -		CONTRACT NO. 60T92							
PLOT DATE = 1/30/2013		DATE -	REVISED -		SCALE: NONE	SHEET NO. 1 OF 1 SHEETS	STA. TO STA.	FED. ROAD DIST. NO. 1 ILLINOIS FED. AID PROJECT				