

SCHEDULE OF QUANTITIES

PAY ITEMS	UNIT	TOTAL
TREE ROOT PRUNING	EACH	1
ENGINEER'S FIELD OFFICE, TYPE A	CAL MO	6
MOBILIZATION	L SUM	0.33
TRAFFIC CONTROL AND PROTECTION, STANDARD 701501	L SUM	0.33
TRAFFIC CONTROL AND PROTECTION, STANDARD 701701	L SUM	0.33
TRAFFIC CONTROL AND PROTECTION, STANDARD 701801	L SUM	0.33
CHANGEABLE MESSAGE SIGN	CAL MO	2
SIGN PANEL - TYPE 1	SQ FT	15
SIGN PANEL - TYPE 2	SQ FT	13.75
REMOVE SIGN PANEL - TYPE 1	SQ FT	8.3
SERVICE INSTALLATION - POLE MOUNTED	EACH	1
UNDERGROUND CONDUIT, GALVANIZED STEEL, 2" DIA.	FOOT	657
UNDERGROUND CONDUIT, GALVANIZED STEEL, 2 1/2" DIA.	FOOT	104.5
UNDERGROUND CONDUIT, GALVANIZED STEEL, 3" DIA.	FOOT	78
UNDERGROUND CONDUIT, GALVANIZED STEEL, 4" DIA.	FOOT	235
HANDHOLE	EACH	6
HEAVY-DUTY HANDHOLE	EACH	2
DOUBLE HANDHOLE	EACH	1
TRANSCEIVER - FIBER OPTIC	EACH	1
ELECTRIC CABLE IN CONDUIT, SIGNAL NO. 14 2C	FOOT	427
ELECTRIC CABLE IN CONDUIT, SIGNAL NO. 14 3C	FOOT	728.5
ELECTRIC CABLE IN CONDUIT, SIGNAL NO. 14 5C	FOOT	1029.5
ELECTRIC CABLE IN CONDUIT, SIGNAL NO. 14 7C	FOOT	1344.5
ELECTRIC CABLE IN CONDUIT, LEAD-IN, NO. 14 1 PAIR	FOOT	1157.5
ELECTRIC CABLE IN CONDUIT, SERVICE, NO. 6 2 C	FOOT	35.5
ELECTRIC CABLE IN CONDUIT, EQUIPMENT GROUNDING CONDUCTOR, NO. 6 1C	FOOT	518
TRAFFIC SIGNAL POST, GALVANIZED STEEL 15 FT.	EACH	2
TRAFFIC SIGNAL POST, GALVANIZED STEEL 16 FT.	EACH	2
STEEL MAST ARM ASSEMBLY AND POLE, 24 FT.	EACH	1
STEEL MAST ARM ASSEMBLY AND POLE, 34 FT.	EACH	2
STEEL MAST ARM ASSEMBLY AND POLE, 36 FT.	EACH	1
CONCRETE FOUNDATION, TYPE A	FOOT	16
CONCRETE FOUNDATION, TYPE C	FOOT	4
CONCRETE FOUNDATION, TYPE E 30-INCH DIAMETER	FOOT	10
CONCRETE FOUNDATION, TYPE E 36-INCH DIAMETER	FOOT	33
SIGNAL HEAD, LED, 1-FACE, 3-SECTION, MAST-ARM MOUNTED	EACH	6
SIGNAL HEAD, LED, 1-FACE, 4-SECTION, BRACKET MOUNTED	EACH	2
SIGNAL HEAD, LED, 1-FACE, 4-SECTION, MAST ARM MOUNTED	EACH	2
SIGNAL HEAD, LED, 1-FACE, 5-SECTION, BRACKET MOUNTED	EACH	2
SIGNAL HEAD, LED, 1-FACE, 5-SECTION, MAST-ARM MOUNTED	EACH	2
PEDESTRIAN SIGNAL HEAD, LED, 1-FACE, BRACKET MOUNTED WITH COUNTDOWN TIMER	EACH	4
TRAFFIC SIGNAL BACKPLATE, LOUVERED, ALUMINUM	EACH	10
INDUCTIVE LOOP DETECTOR	EACH	7
DETECTOR LOOP, TYPE I	FOOT	515
LIGHT DETECTOR	EACH	2
LIGHT DETECTOR AMPLIFIER	EACH	1
PEDESTRIAN PUSH-BUTTON	EACH	4
EMERGENCY VEHICLE PRIORITY SYSTEM LINE SENSOR CABLE, NO. 20 3/C	FOOT	273.5
VIDEO DETECTION SYSTEM, PARTIAL	EACH	1
FULL-ACTUATED CONTROLLER AND TYPE IV CABINET, SPECIAL	EACH	1
UNINTERRUPTABLE POWER SUPPLY, SPECIAL	EACH	1
LOCATING UNDERGROUND UTILITY	EACH	3
CONSTRUCTION LAYOUT	L SUM	0.33
TEMPORARY INFORMATION SIGNING	SQ FT	51.4

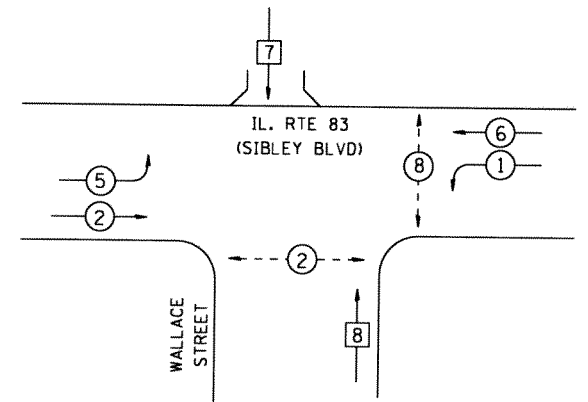
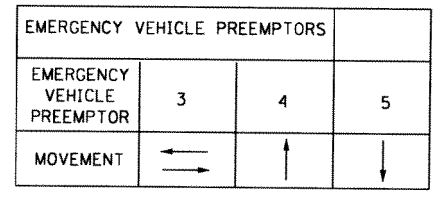
*100% OF THE COST SHALL BE PAID FOR BY THE CITY OF HARVEY

I.D.O.T. TRAFFIC SIGNAL INSTALLATION ELECTRICAL SERVICE REQUIREMENTS					TOTAL WATTAGE
TYPE	NO. LAMPS	WATTAGE		%OPERATION	
SIGNAL (RED)	14	INCAND.	LED	0.5	119
(YELLOW)	14			0.25	87.5
(GREEN)	14			0.25	52.5
ARROW	4			0.10	4.8
PED. SIGNAL	4			1.00	100
CONTROLLER	1			1.00	100
VIDEO SYSTEM	1			1.00	15
ILLUM. SIGN	0			0	-
FLASHER				0.50	0
ENERGY COSTS TO:				TOTAL =	478.8
CITY OF HARVEY (33.3%)					
IDOT (66.7%)					

ENERGY SUPPLY CONTACT: KATHERYN SUGRUE
 PHONE: (708) 235-2337
 COMPANY: COMMONWEALTH EDISON

EMERGENCY VEHICLE PREEMPTION SEQUENCE

- NOTES**
- BI-DIRECTIONAL LIGHT DETECTOR SHALL BE PLACED ON THE MAST ARM TWO FEET TO THE RIGHT OF THE FAR LEFT MAST ARM MOUNTED SIGNAL

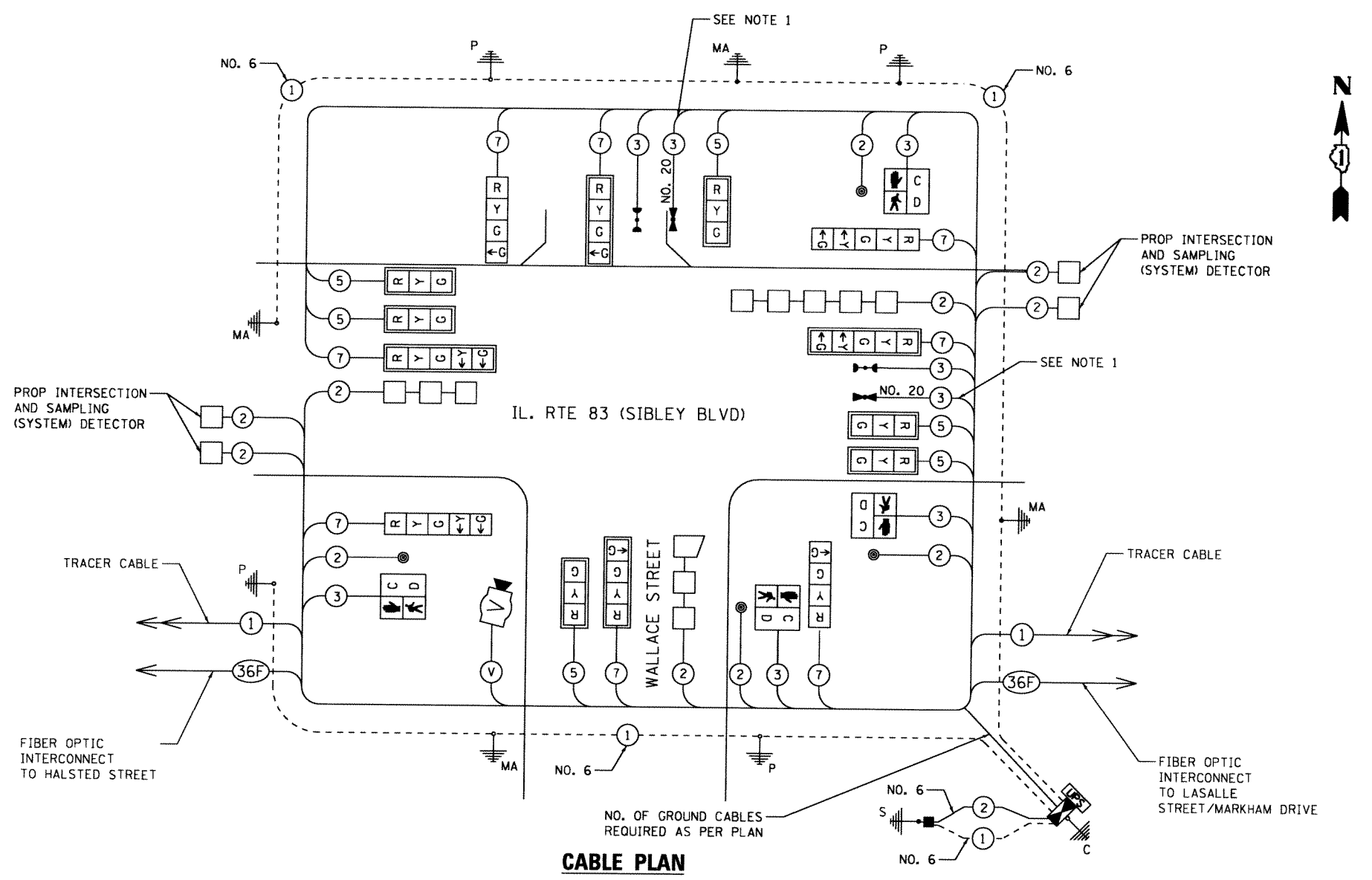


PHASE DESIGNATION DIAGRAM

RESTORATION OF WORK AREA, RESTORATION OF THE TRAFFIC SIGNAL WORK AREA SHALL BE INCIDENTAL TO THE RELATED PAY ITEM SUCH AS FOUNDATION, CONDUIT, HANDHOLE, ETC., AND NO EXTRA COMPENSATION SHALL BE ALLOWED. ALL ROADWAY SURFACES SUCH AS SHOULDERS, MEDIAN, SIDEWALKS, PAVEMENT, ETC. SHALL BE REPLACED IN KIND. ALL DAMAGE TO MOWED LAWNS SHALL BE REPLACED WITH AN APPROVED SOD, AND ALL DAMAGE TO UNMOWED FIELDS SHALL BE SEEDING IN ACCORDANCE WITH STANDARD SPECIFICATIONS 252 AND 250 RESPECTIVELY.

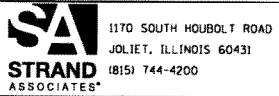
NOTE: THE TRAFFIC SIGNAL CONTROLLER EQUIPMENT FOR THIS PROJECT SHALL BE "EAGLE" TO MATCH THE EXISTING ADJACENT SYSTEM.

THE END OF THE TRACER CABLE SHALL BE CONTINUOUS AND EXTEND INTO THE CONTROLLER CABINET.



CABLE PLAN

FILE NAME = SA\JDL\6388--6399\6346\B43\Mucos\GADD_Sheets\01\2345-rt-rcable-Wall.ssdgn



1170 SOUTH HOBOLT ROAD
 JOLIET, ILLINOIS 60431
 (815) 744-4200

DESIGNED - RMS	REVISED - RMS
DRAWN - DJW	REVISED - BJF
CHECKED - ARM	REVISED - ARM
DATE - 10/17/2012	REVISED - 12/4/12

**STATE OF ILLINOIS
 DEPARTMENT OF TRANSPORTATION**

**SCHEDULE OF QUANTITIES, CABLE PLAN, PHASE DESIGNATION
 DIAGRAM AND EMERGENCY VEHICLE PREEMPTION SEQUENCE
 IL. RTE. 83 (SIBLEY BLVD) AND WALLACE STREET**

SCALE: AS SHOWN SHEET OF SHEETS STA. TO STA.

F.A.P. RTE.	SECTION	COUNTY	TOTAL SHEETS	SHEET NO.
397	104TS-1(12)	COOK	36	20
				CONTRACT NO. 60T92
ILLINOIS FED. AID PROJECT				