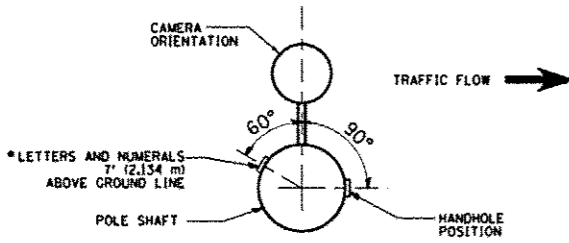
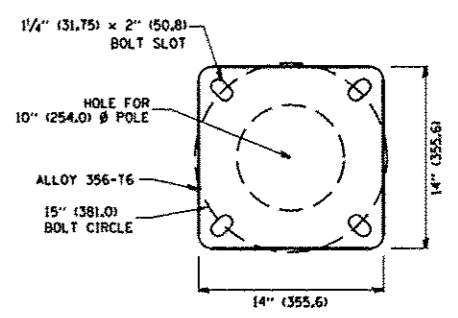


POSITION OF HANDHOLE AND CAMERA NUMBER FOR POLE MOUNTED ON BRIDGE PARAPET OR BARRIER WALL

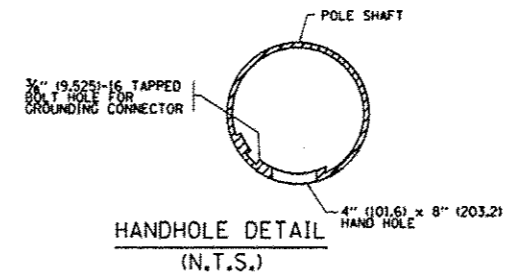


POSITION OF HANDHOLE AND CAMERA NUMBER

- NOTES:**
1. ALL DIMENSIONS ARE IN INCHES (MILLIMETERS) UNLESS OTHERWISE SHOWN.
 2. TWO PIECE SHAFT WILL BE MATCHED MARKED AND INTERCHANGEABLE BETWEEN DIFFERENT UNITS. FIELD DRILLING OF THE HOLES WILL NOT BE ALLOWED.
 3. THE POLE WILL MEET AASHTO DESIGN CRITERIA AS SPECIFIED.
 4. THE INSTALLING CONTRACTOR WILL PROVIDE A UL LISTED GROUNDING CONNECTOR, BURNDY K2C23, T&B SP4DL OR APPROVED EQUAL.
 5. POLES WILL BE INSTALLED IN ACCORDANCE TO MANUFACTURER'S INSTRUCTIONS.
 6. POLES WILL BE SET PLUMB ON THE FOUNDATION WITHOUT THE USE OF LEVELING NUTS, WASHERS OR SHIMS.



POLE BASE PLATE DETAIL
15 INCH (381.0) BOLT CIRCLE



HANDHOLE DETAIL
(N.T.S.)

Added Sheet 2-20-B

FILE NAME *	USER NAME * tomsonr	DESIGNED -	REVISED - R. TOMSONS 09-06-00	STATE OF ILLINOIS DEPARTMENT OF TRANSPORTATION	CCTV CAMERA STRUCTURE		F.A. R.T.E.	SECTION	COUNTY	TOTAL SHEET NO.
c:\pwork\pvidot\tomsonr\08100315\081003.dgn		DRAWN -	REVISED - R. TOMSONS 09-03-03		50' (15.24 m) MOUNTING HEIGHT					378
		CHECKED -	REVISED -		SCALE: NONE	SHEET NO. 1	OF 1 SHEETS	STA.	TO STA.	CONTRACT NO. 00V81
		DATE -	REVISED -						FED. ROAD DIST. NO. 1 (ILLINOIS) FED. AID PROJECT	