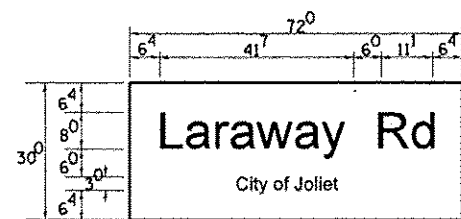


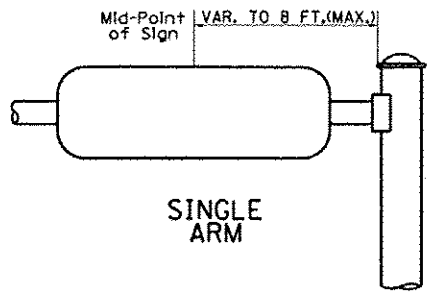
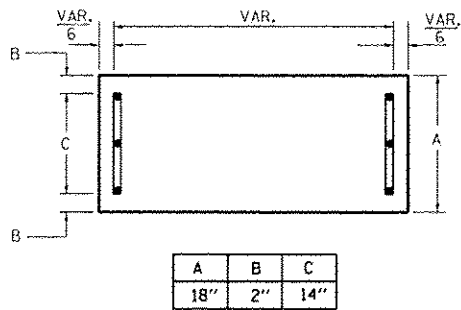
— Sq. M. each
 — Sq. Ft. each
 2 Required
 Design Series D



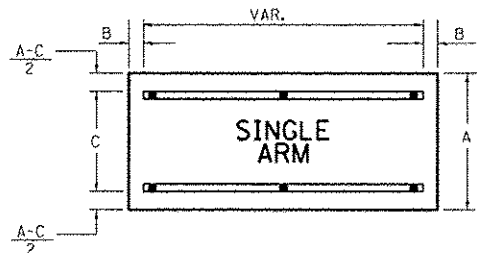
— Sq. M. each
 — Sq. Ft. each
 2 Required
 Design Series D

NOTE: SIGN DIMENSIONS ARE IN ENGLISH UNITS

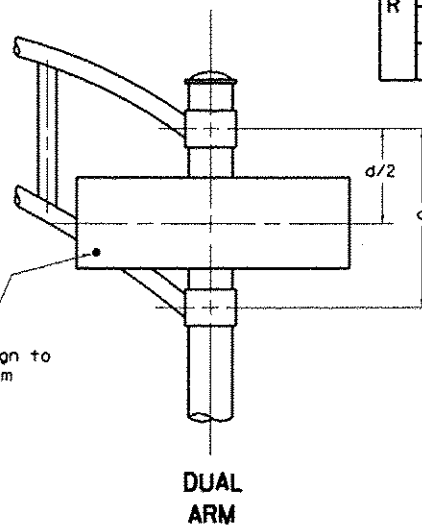
SUPPORTING CHANNELS



SUPPORTING CHANNELS



| | | |
|-----|----|-----|
| A | B | C |
| 18" | 2" | 12" |
| 30" | 2" | 22" |



Secure Sign to Mast Arm
DUAL ARM
 SIGNFIX ALUMINUM CHANNEL FRAMING SYSTEM shall be used. See Note #5.

Upper Case To Lower Case
 Spacing Chart 8-6 Inch Series "C & D"

| SERIES | SECOND LETTER | | | | | | | | | | | | | | | |
|---------|---------------|----|-------|----|----|----|----|----|----|----|----|----|----|----|----|----|
| | acde | | bhikl | | fw | | j | | st | | vy | | x | | z | |
| | g | o | q | m | n | p | r | u | | | | | | | | |
| A W X | 12 | 14 | 14 | 15 | 12 | 14 | 06 | 10 | 11 | 14 | 06 | 10 | 11 | 12 | 12 | 14 |
| B | 14 | 15 | 20 | 21 | 14 | 15 | 11 | 12 | 14 | 15 | 12 | 14 | 12 | 14 | 16 | 17 |
| C E G | 14 | 15 | 20 | 21 | 12 | 14 | 06 | 10 | 12 | 14 | 12 | 14 | 14 | 15 | 14 | 15 |
| D O O R | 14 | 15 | 20 | 21 | 14 | 15 | 06 | 10 | 12 | 14 | 12 | 14 | 14 | 15 | 14 | 15 |
| F | 05 | 06 | 14 | 15 | 06 | 10 | 05 | 06 | 06 | 10 | 06 | 10 | 06 | 10 | 11 | 12 |
| H I M N | 20 | 21 | 22 | 24 | 20 | 21 | 14 | 15 | 16 | 17 | 16 | 17 | 20 | 21 | 20 | 21 |
| J U | 20 | 21 | 20 | 21 | 16 | 17 | 14 | 15 | 16 | 17 | 16 | 17 | 16 | 17 | 20 | 21 |
| K L | 11 | 12 | 16 | 17 | 11 | 12 | 05 | 06 | 11 | 12 | 11 | 12 | 11 | 12 | 12 | 14 |
| P | 12 | 14 | 14 | 15 | 12 | 14 | 05 | 06 | 11 | 12 | 11 | 12 | 12 | 14 | 12 | 14 |
| S | 12 | 14 | 16 | 17 | 12 | 14 | 06 | 10 | 12 | 14 | 12 | 14 | 12 | 14 | 12 | 14 |
| T | 11 | 12 | 16 | 17 | 06 | 10 | 06 | 10 | 11 | 12 | 11 | 12 | 11 | 12 | 12 | 14 |
| V | 06 | 10 | 14 | 15 | 11 | 12 | 06 | 10 | 12 | 14 | 12 | 14 | 12 | 14 | 12 | 14 |
| Y | 05 | 06 | 14 | 15 | 06 | 10 | 05 | 06 | 05 | 07 | 05 | 06 | 06 | 10 | 11 | 12 |
| Z | 16 | 17 | 22 | 24 | 16 | 17 | 12 | 14 | 16 | 17 | 16 | 17 | 16 | 17 | 20 | 21 |

Lower Case To Lower Case
 Spacing Chart 6 Inch Series "C & D"

| SERIES | SECOND LETTER | | | | | | | | | | | | | | | |
|--------|---------------|----|-------|----|----|----|----|----|----|----|----|----|----|----|----|----|
| | acde | | bhikl | | fw | | j | | st | | vy | | x | | z | |
| | g | o | q | m | n | p | r | u | | | | | | | | |
| adhglj | 16 | 17 | 22 | 24 | 16 | 17 | 12 | 14 | 14 | 15 | 14 | 15 | 16 | 17 | 16 | 17 |
| lmnqu | | | | | | | | | | | | | | | | |
| bfkops | 12 | 14 | 16 | 17 | 11 | 12 | 05 | 06 | 11 | 12 | 11 | 12 | 12 | 14 | 12 | 14 |
| ce | 12 | 14 | 16 | 17 | 12 | 14 | 06 | 10 | 12 | 14 | 12 | 14 | 12 | 14 | 12 | 14 |
| r | 06 | 10 | 12 | 14 | 06 | 10 | 03 | 03 | 05 | 06 | 05 | 06 | 06 | 10 | 06 | 10 |
| t z | 12 | 14 | 16 | 17 | 12 | 14 | 06 | 10 | 11 | 12 | 11 | 12 | 12 | 14 | 12 | 14 |
| v y | 11 | 12 | 14 | 15 | 11 | 12 | 05 | 06 | 06 | 10 | 06 | 10 | 11 | 12 | 11 | 12 |
| w | 11 | 12 | 14 | 15 | 11 | 12 | 05 | 06 | 11 | 12 | 11 | 12 | 11 | 12 | 12 | 14 |
| x | 12 | 14 | 16 | 17 | 11 | 12 | 05 | 06 | 11 | 12 | 11 | 12 | 11 | 12 | 12 | 14 |

Number To Number
 Spacing Chart 8 Inch Series "C & D"

| SERIES | SECOND NUMBER | | | | | | | | | | | | | | | | | | | |
|--------|---------------|----|----|----|----|----|----|----|----|----|----|----|----|----|----|----|----|----|----|----|
| | 0 | | 1 | | 2 | | 3 | | 4 | | 5 | | 6 | | 7 | | 8 | | 9 | |
| | C | D | C | D | C | D | C | D | C | D | C | D | C | D | C | D | C | D | C | D |
| 0 9 | 16 | 17 | 16 | 17 | 14 | 15 | 12 | 14 | 14 | 15 | 14 | 15 | 16 | 17 | 12 | 14 | 16 | 17 | 16 | 17 |
| 1 | 20 | 21 | 20 | 21 | 20 | 21 | 16 | 17 | 14 | 15 | 20 | 21 | 20 | 21 | 14 | 15 | 20 | 21 | 20 | 21 |
| 2 3 4 | 14 | 15 | 14 | 15 | 14 | 15 | 12 | 14 | 12 | 14 | 14 | 15 | 14 | 15 | 11 | 12 | 16 | 17 | 14 | 15 |
| 5 | 14 | 15 | 14 | 15 | 14 | 15 | 11 | 12 | 11 | 12 | 14 | 15 | 14 | 15 | 11 | 12 | 14 | 15 | 14 | 15 |
| 6 | 16 | 17 | 14 | 15 | 14 | 15 | 12 | 14 | 14 | 15 | 14 | 15 | 11 | 12 | 14 | 15 | 14 | 15 | 14 | 15 |
| 7 | 12 | 14 | 12 | 14 | 14 | 15 | 12 | 14 | 14 | 15 | 14 | 15 | 11 | 12 | 14 | 15 | 12 | 14 | 15 | 14 |
| 8 | 16 | 17 | 16 | 17 | 14 | 15 | 12 | 14 | 14 | 15 | 14 | 15 | 16 | 17 | 12 | 14 | 16 | 17 | 14 | 15 |

EXAMPLE, 2³ DENOTES $\frac{3}{8}$

UPPER AND LOWER CASE
 LETTER WIDTHS

| LETTERS | 6 INCH UPPER CASE LETTERS | | | | 8 INCH UPPER CASE LETTERS | | | | LETTERS | 6 INCH LOWER CASE LETTERS | |
|---------|---------------------------|----------------|----------------|----------------|---------------------------|----------------|----------------|---|---------|---------------------------|---|
| | SERIES | | SERIES | | SERIES | | SERIES | | | SERIES | |
| | C | D | C | D | C | D | C | D | | C | D |
| A | 3 ⁶ | 5 ⁰ | 5 ⁰ | 6 ⁵ | a | 3 ⁵ | 4 ² | | | | |
| B | 3 ² | 4 ⁰ | 4 ³ | 5 ³ | b | 3 ⁵ | 4 ² | | | | |
| C | 3 ² | 4 ⁰ | 4 ³ | 5 ³ | c | 3 ⁵ | 4 ¹ | | | | |
| D | 3 ² | 4 ⁰ | 4 ³ | 5 ³ | d | 3 ⁵ | 4 ² | | | | |
| E | 3 ⁰ | 3 ⁵ | 4 ⁰ | 4 ⁷ | e | 3 ⁵ | 4 ² | | | | |
| F | 3 ⁰ | 3 ⁵ | 4 ⁰ | 4 ⁷ | f | 2 ³ | 2 ⁶ | | | | |
| G | 3 ² | 4 ⁰ | 4 ³ | 5 ³ | g | 3 ⁵ | 4 ² | | | | |
| H | 3 ² | 4 ⁰ | 4 ³ | 5 ³ | h | 3 ⁵ | 4 ² | | | | |
| I | 0 ⁷ | 0 ⁷ | 1 ¹ | 1 ² | i | 1 ¹ | 1 ¹ | | | | |
| J | 3 ⁰ | 3 ⁶ | 4 ⁰ | 5 ⁰ | j | 2 ⁰ | 2 ² | | | | |
| K | 3 ² | 4 ¹ | 4 ³ | 5 ⁴ | k | 3 ⁵ | 4 ² | | | | |
| L | 3 ⁰ | 3 ⁵ | 4 ⁰ | 4 ⁷ | l | 1 ¹ | 1 ¹ | | | | |
| M | 3 ⁷ | 4 ⁵ | 5 ¹ | 6 ¹ | m | 6 ⁰ | 7 ⁰ | | | | |
| N | 3 ² | 4 ⁰ | 4 ³ | 5 ³ | n | 3 ⁵ | 4 ² | | | | |
| O | 3 ⁴ | 4 ² | 4 ⁵ | 5 ⁵ | o | 3 ⁶ | 4 ³ | | | | |
| P | 3 ² | 4 ⁰ | 4 ³ | 5 ³ | p | 3 ⁵ | 4 ² | | | | |
| Q | 3 ⁴ | 4 ² | 4 ⁵ | 5 ⁵ | q | 3 ⁵ | 4 ² | | | | |
| R | 3 ² | 4 ⁰ | 4 ³ | 5 ³ | r | 2 ⁶ | 3 ² | | | | |
| S | 3 ² | 4 ⁰ | 4 ³ | 5 ³ | s | 3 ⁶ | 4 ² | | | | |
| T | 3 ⁰ | 3 ⁵ | 4 ⁰ | 4 ⁷ | t | 2 ⁷ | 3 ² | | | | |
| U | 3 ² | 4 ⁰ | 4 ³ | 5 ³ | u | 3 ⁵ | 4 ² | | | | |
| V | 3 ⁵ | 4 ⁴ | 4 ⁷ | 6 ⁰ | v | 4 ² | 4 ⁷ | | | | |
| W | 4 ⁴ | 5 ² | 6 ⁰ | 7 ⁰ | w | 5 ⁵ | 6 ⁴ | | | | |
| X | 3 ⁴ | 4 ⁰ | 4 ⁵ | 5 ³ | x | 4 ⁴ | 5 ¹ | | | | |
| Y | 3 ⁶ | 5 ⁰ | 5 ⁰ | 6 ⁶ | y | 4 ⁶ | 5 ³ | | | | |
| Z | 3 ² | 4 ⁰ | 4 ³ | 5 ³ | z | 3 ⁶ | 4 ³ | | | | |

| NUMBER | 6 INCH SERIES | | 8 INCH SERIES | |
|--------|----------------|----------------|----------------|----------------|
| | C | D | C | D |
| 1 | 1 ² | 1 ⁴ | 1 ⁵ | 2 ⁰ |
| 2 | 3 ² | 4 ⁰ | 4 ³ | 5 ³ |
| 3 | 3 ² | 4 ⁰ | 4 ³ | 5 ³ |
| 4 | 3 ⁵ | 4 ³ | 4 ⁷ | 5 ⁷ |
| 5 | 3 ² | 4 ⁰ | 4 ³ | 5 ³ |
| 6 | 3 ² | 4 ⁰ | 4 ³ | 5 ³ |
| 7 | 3 ² | 4 ⁰ | 4 ³ | 5 ³ |
| 8 | 3 ² | 4 ⁰ | 4 ³ | 5 ³ |
| 9 | 3 ² | 4 ⁰ | 4 ³ | 5 ³ |
| 0 | 3 ⁴ | 4 ² | 4 ⁵ | 5 ⁵ |

GENERAL NOTES

- WHERE MAST ARM MOUNTED STREET NAME SIGNS ARE SPECIFIED, THE MAST ARM ASSEMBLY AND POLES SHALL BE DESIGNED TO SUPPORT THE LOADINGS CALLED FOR ON STANDARDS 877001, 877002, 877006, 877011 AND 877012, AS APPLICABLE, PLUS TWO (2) SIGN PANELS 2'-6" x 8'-0" MOUNTED AS SHOWN. THE DESIGN SHALL BE IN ACCORDANCE WITH THE REQUIREMENTS OF THE CURRENT "STANDARD SPECIFICATIONS FOR STRUCTURAL SUPPORTS FOR HIGHWAY SIGNS, LUMINAIRES, AND TRAFFIC SIGNALS" AS PUBLISHED BY THE AMERICAN ASSOCIATION OF STATE HIGHWAY AND TRANSPORTATION OFFICIALS FOR 80 M.P.H. WIND VELOCITY.
- ALL SIGNS SHALL HAVE A WHITE REFLECTORIZED LEGEND AND BORDER ON A GREEN REFLECTORIZED BACKGROUND, TYPE A SHEETING.
- THE SIGN LENGTH SHOULD BE INCREASED IN 6-INCH INCREMENTS, BUT THE OVERALL LENGTH SHOULD NOT EXCEED 8'-0".
- ALL BORDERS SHALL BE 3/4" WIDE AND CORNER RADIUS SHALL BE 2-1/4".
- SIGNFIX ALUMINUM CHANNEL FRAMING SYSTEM SHALL BE USED FOR ALL SIGNS ATTACHED TO SIGNAL POLES AND POSTS. LOCAL SUPPLIERS OF THE SIGNFIX ALUMINUM CHANNEL FRAMING SYSTEM ARE:

- * J.O. HERBERT CO. MIDLOTHIAN, VA.
- * WESTERN REMAC INC. WOODRIDGE, IL.

PARTS LISTING:
 SIGN CHANNEL PART #HPN053 (MED. CHANNEL)
 SIGN SCREWS 1/4" x 14 x 1" H.W.H. #3
 SELF TAPPING WITH NEOPRENE WASHER
 BRACKETS PART #HPN034 (UNIVERSAL)
 CHANNEL CLAMPS WITH STAINLESS STEEL STRAPPING

OTHER BRANDS OF MOUNTING HARDWARE ARE ACCEPTABLE, BASED UPON THE DEPARTMENT'S APPROVAL AND COMPATIBILITY WITH THE CHANNEL/BACKET OF THE ABOVE PRODUCT.

| | | | |
|---|-----------|----------|--------------|
| FILE NAME | USER NAME | DESIGNED | REVISED |
| c:\pwwork\p\midot\pocirecho\id8323731\011713-SHT-TS.dgn | pocirecho | DAG/BCK | DAG 10/28/09 |
| | | DRAWN | REVISED |
| | | BCK | |
| | | CHECKED | REVISED |
| | | DAG/DAD | |
| | | DATE | REVISED |
| | | 03-15-09 | |

STATE OF ILLINOIS
 DEPARTMENT OF TRANSPORTATION

DISTRICT ONE
 MAST ARM MOUNTED STREET NAME SIGNS
 SCALE: NONE SHEET NO. 1 OF 1 SHEETS STA. TO STA.

| | | | | |
|---|-----------|--------------------|--------------|-----------|
| F.A.P. RTE. | SECTION | COUNTY | TOTAL SHEETS | SHEET NO. |
| 846 A | 2-TS (12) | WILL | 15 | 14A |
| TS-02 | | CONTRACT NO. 60V95 | | |
| FED. ROAD DIST. NO. 1 [ILLINOIS] FED. AID PROJECT | | | | |