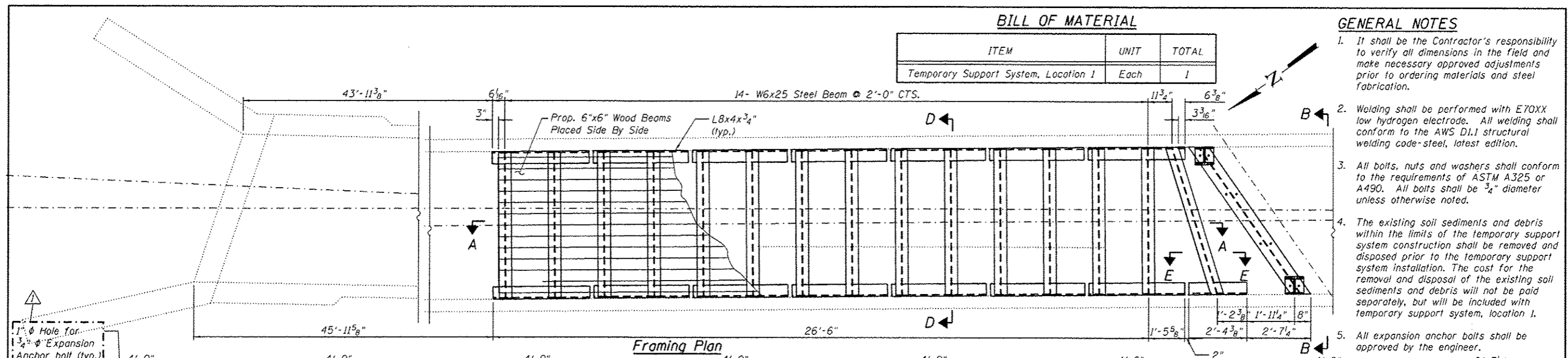


BILL OF MATERIAL

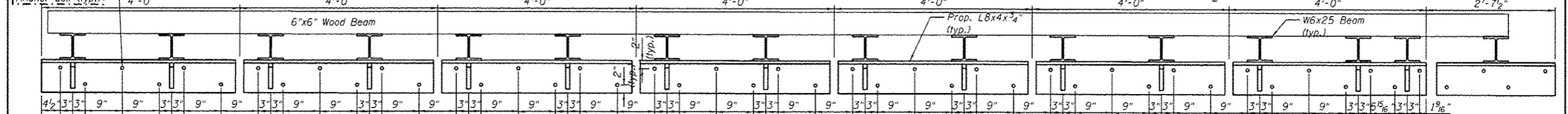
ITEM	UNIT	TOTAL
Temporary Support System, Location 1	Each	1

GENERAL NOTES

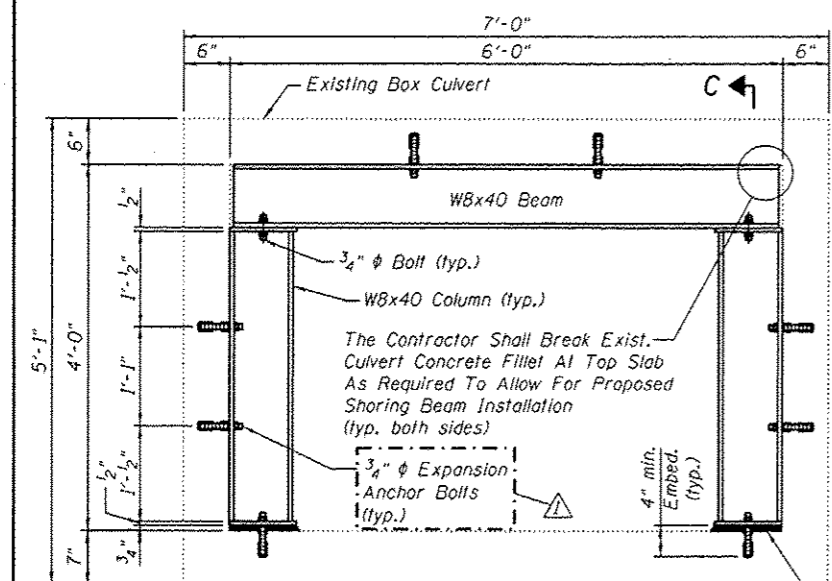
1. It shall be the Contractor's responsibility to verify all dimensions in the field and make necessary approved adjustments prior to ordering materials and steel fabrication.
2. Welding shall be performed with E70XX low hydrogen electrode. All welding shall conform to the AWS D1.1 structural welding code-steel, latest edition.
3. All bolts, nuts and washers shall conform to the requirements of ASTM A325 or A490. All bolts shall be 3/4" diameter unless otherwise noted.
4. The existing soil sediments and debris within the limits of the temporary support system construction shall be removed and disposed prior to the temporary support system installation. The cost for the removal and disposal of the existing soil sediments and debris will not be paid separately, but will be included with temporary support system, location 1.
5. All expansion anchor bolts shall be approved by the engineer.



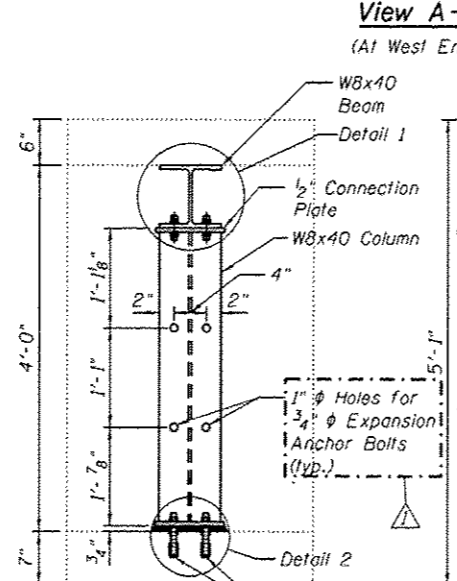
Framing Plan



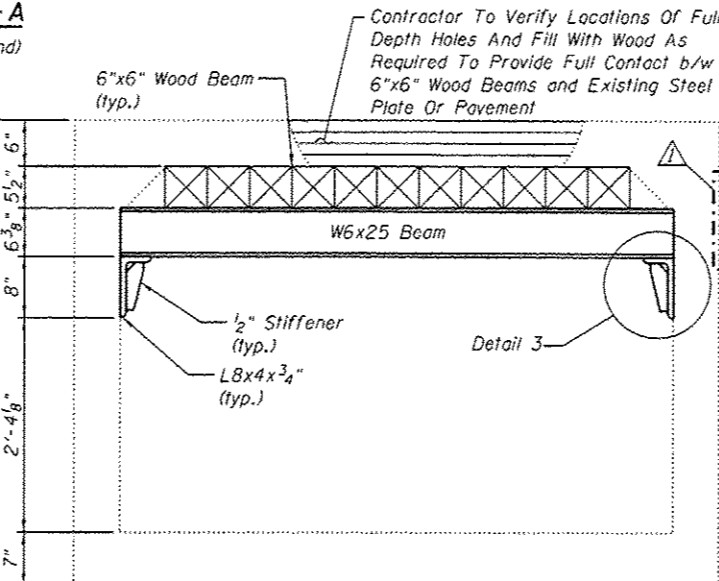
View A-A (At West End)



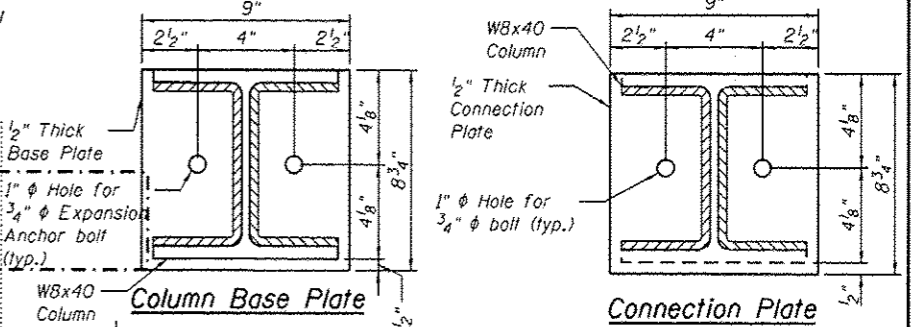
View B-B



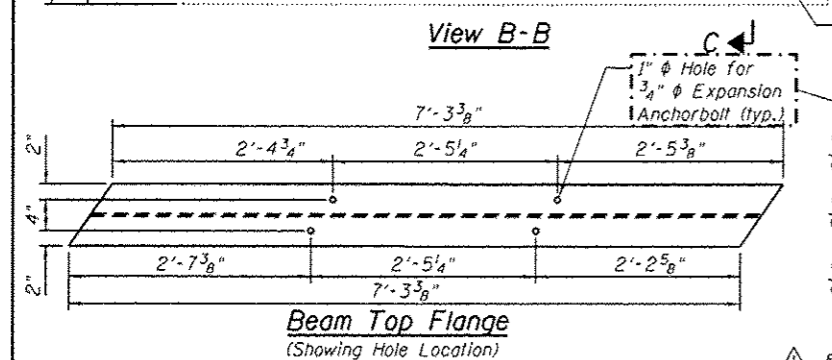
View C-C



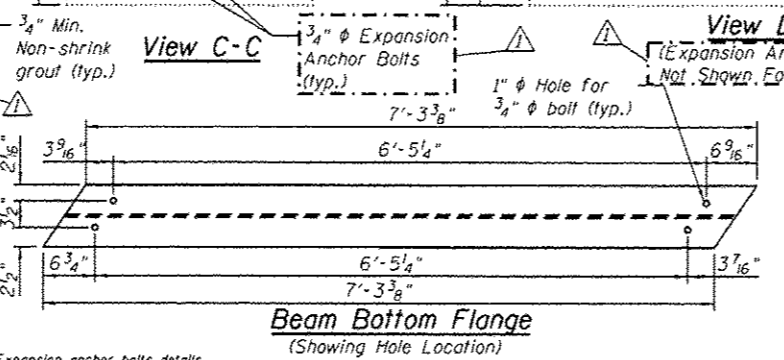
View D-D



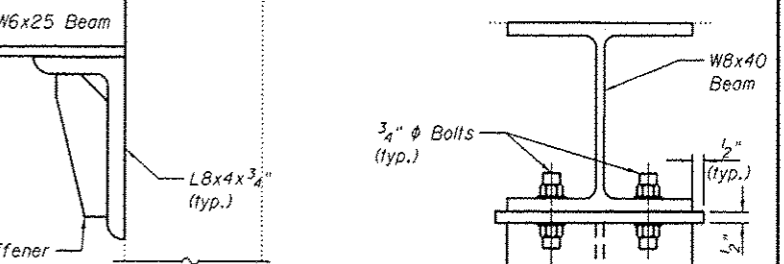
Column Detail



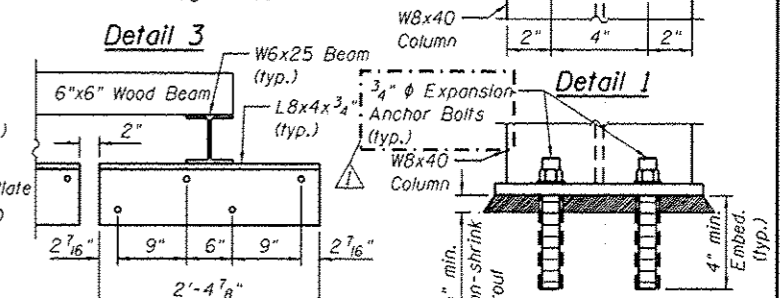
Beam Top Flange (Showing Hole Location)



Beam Bottom Flange (Showing Hole Location)



Connection Plate



View E-E

Detail 1

Detail 2

HBM ENGINEERING GROUP, LLC 4415 WEST HARRISON ST. SUITE 221 MOUNTAIN VIEW, IL 60142 PHONE: (708) 234-0900 FAX: (708) 234-0901	DESIGNED - JJS	REVISD - 02/15/2013 MI	STATE OF ILLINOIS DEPARTMENT OF TRANSPORTATION TEMPORARY SUPPORT SYSTEM PLAN, SECTIONS AND DETAILS 6'x4' BOX CULVERT (S.N. 016-1392) - STA. 76 + 44.64 SHEET NO. 51-09 OF 51-10 SHEETS	F.A.P. RTE. 305	SECTION 1920.01-B-R	COUNTY COOK	TOTAL SHEETS 60	SHEET NO. 35
	CHECKED - MI	REVISD -		CONTRACT NO. 60W04	ILLINOIS FED. AID PROJECT			
	DRAWN - JJS, AI	REVISD -						
	CHECKED - MAI, MI	REVISD -						