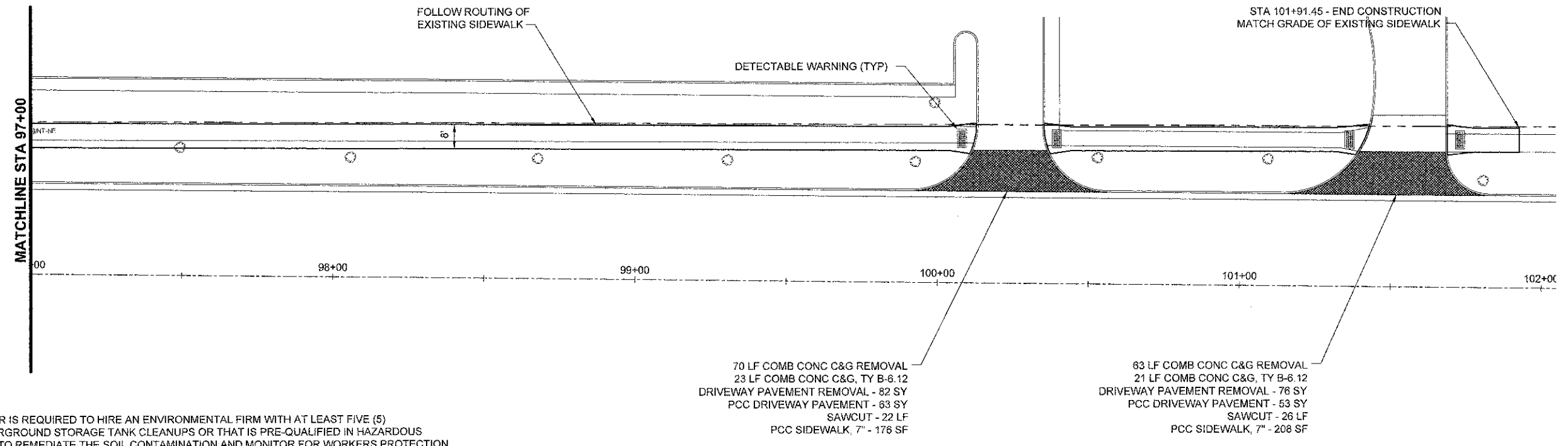
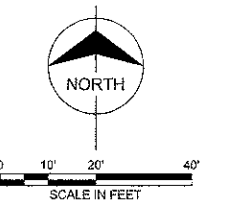
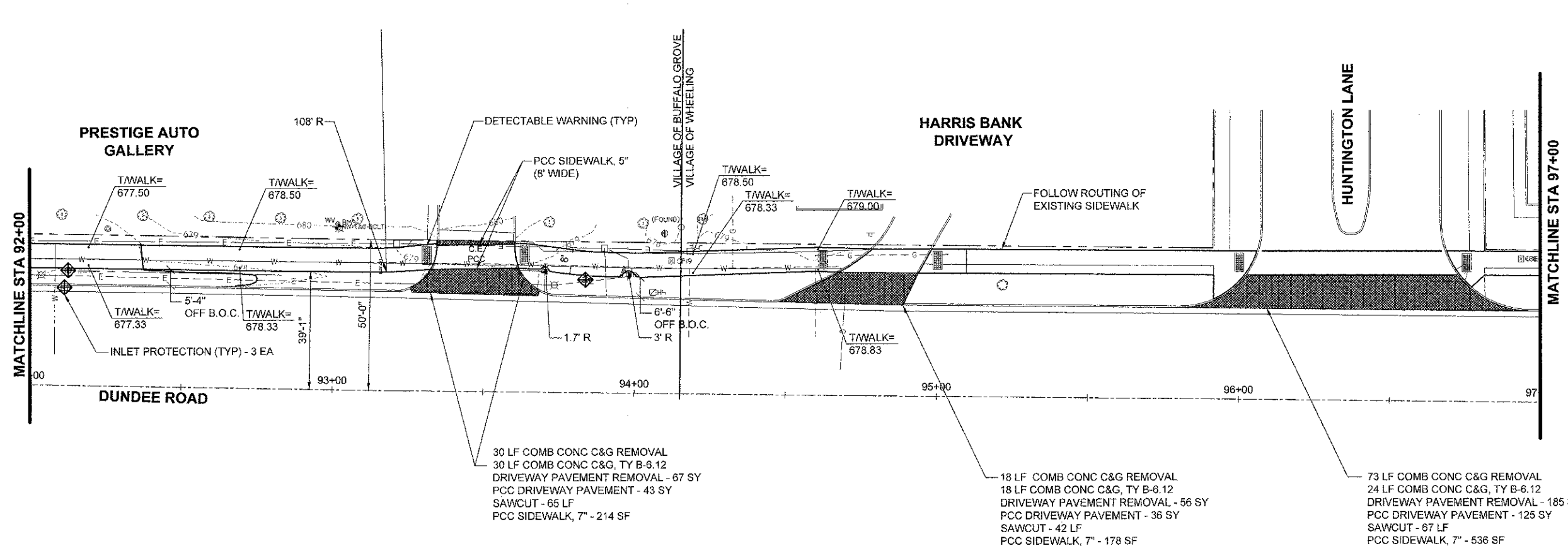


PLAN	DATE
DESIGNED	
CHECKED	
DATE	
PROJECT	
NO.	
STRUCTURE	
NOTATION	
CHG	

PROJECT	DATE
DESIGNED	
CHECKED	
DATE	
PROJECT	
NO.	
STRUCTURE	
NOTATION	
CHG	



NOTES:
 1. THE GENERAL CONTRACTOR IS REQUIRED TO HIRE AN ENVIRONMENTAL FIRM WITH AT LEAST FIVE (5) DOCUMENTED LEAKING UNDERGROUND STORAGE TANK CLEANUPS OR THAT IS PRE-QUALIFIED IN HAZARDOUS WASTE BY THE DEPARTMENT TO REMEDIATE THE SOIL CONTAMINATION AND MONITOR FOR WORKERS PROTECTION.

QUANTITIES FOR BUFFALO GROVE	QUANTITIES FOR WHEELING
30 SF DETECTABLE WARNING	120 SF DETECTABLE WARNING
971 SF SIDEWALK REMOVAL	3272 SF SIDEWALK REMOVAL
1508 SF PCC SIDEWALK, 5"	5236 SF PCC SIDEWALK, 5"
214 SF PCC SIDEWALK, 7"	1347 SF PCC SIDEWALK, 7"

PROJECT NAME = Buffalo Grove 154383 - Dundee Road Streetscape and Misc. Grant Application	USER NAME = D. CHYZEK	DESIGNED - TMC	REVISED - 7-26-2012	STATE OF ILLINOIS DEPARTMENT OF TRANSPORTATION	PLAN SHEET C006 STA 92+00 TO 101+91.45		F.A.U. RITE = 1273	SECTION = 08-00095-00-SW	COUNTY = COOK	TOTAL SHEETS = 17	SHEET NO. = 10	
PROJECT SCALE = N/A	PROJECT DATE = 10/05/2010	DRAWN - TMC	CHECKED - A.J.B.		SCALE: 1"=20'	SHEET NO. 6 OF 6 SHEETS	STA. 92+00	TO STA. 94+72	CONTRACT NO. 63614			
		DATE = 8-16-2010	REVISED -		FED. ROAD DIST. NO. 1 ILLINOIS STATE AID PROJECT							