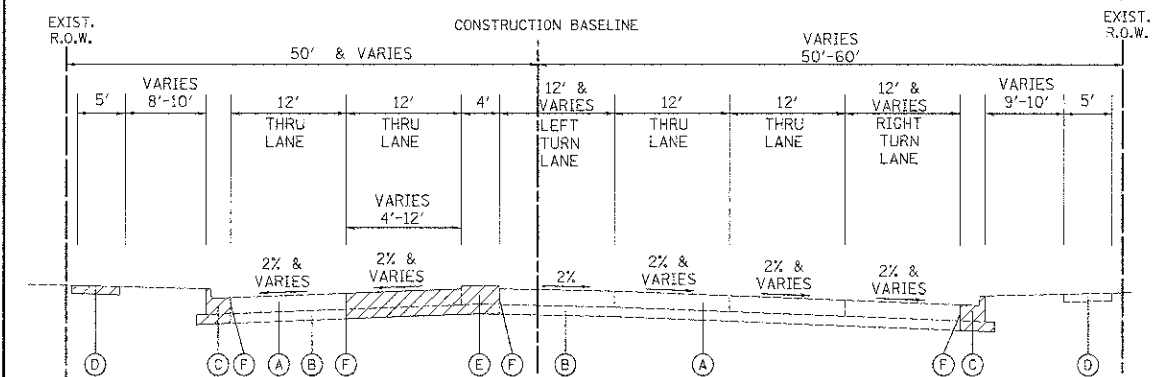


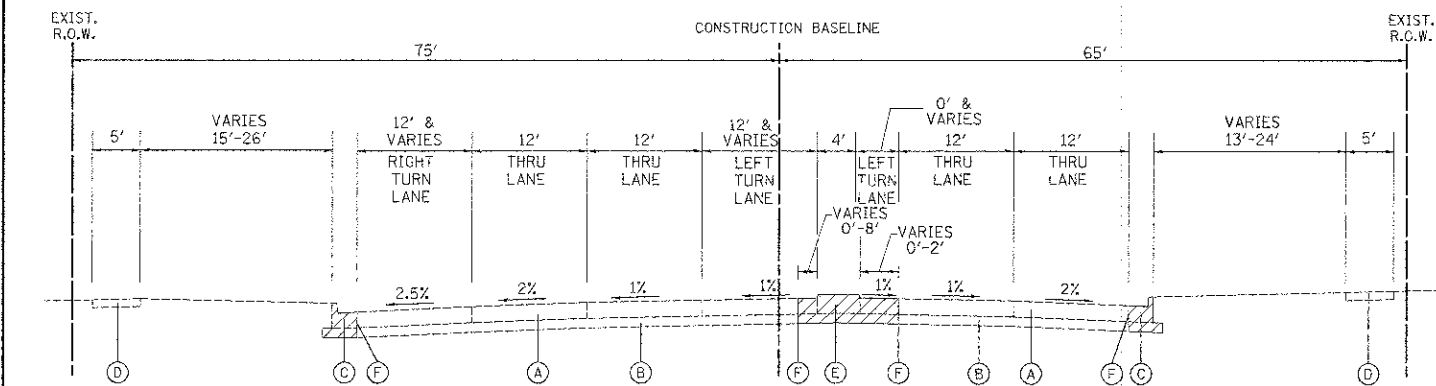
EXISTING TYPICAL SECTION

SCHAUMBURG ROAD  
STATION 35+19.5 TO STATION 38+27.4



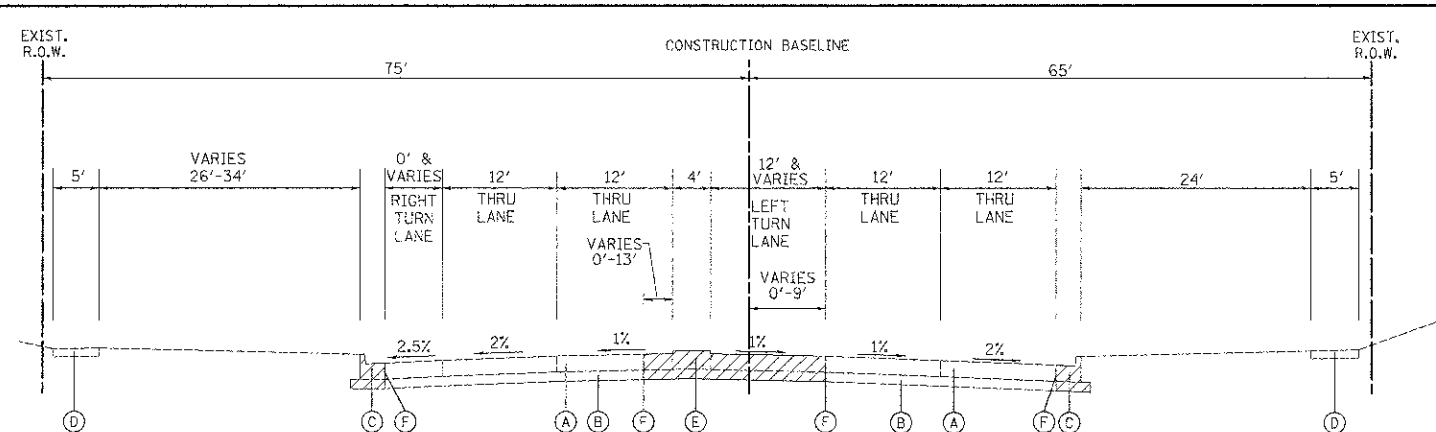
EXISTING TYPICAL SECTION

SCHAUMBURG ROAD  
STATION 38+27.4 TO STATION 42+78.15



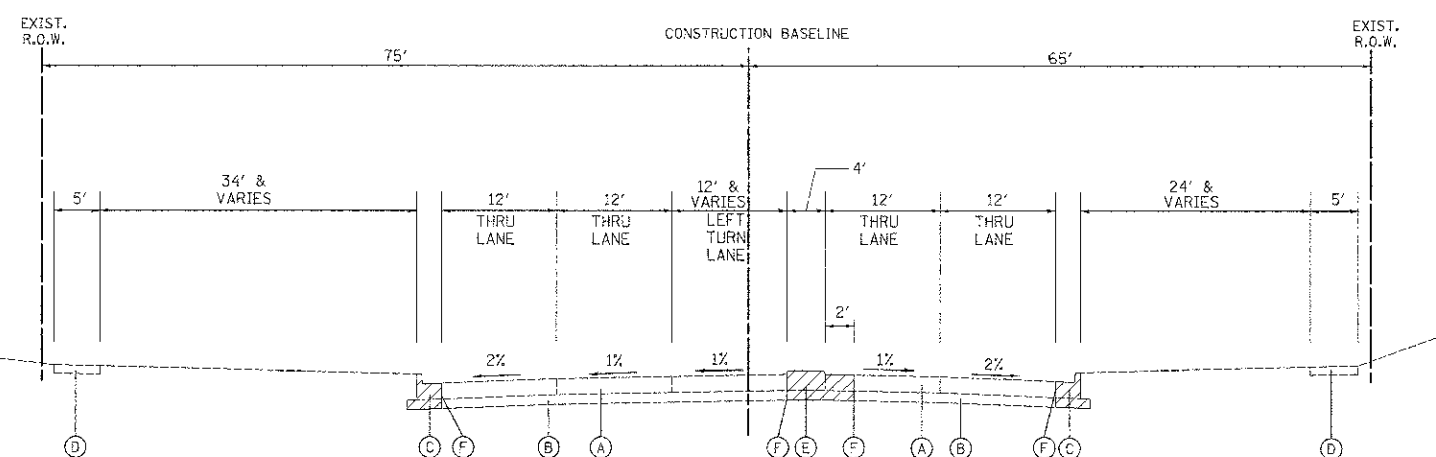
EXISTING TYPICAL SECTION

SCHAUMBURG ROAD  
STATION 42+78.15 TO STATION 46+76



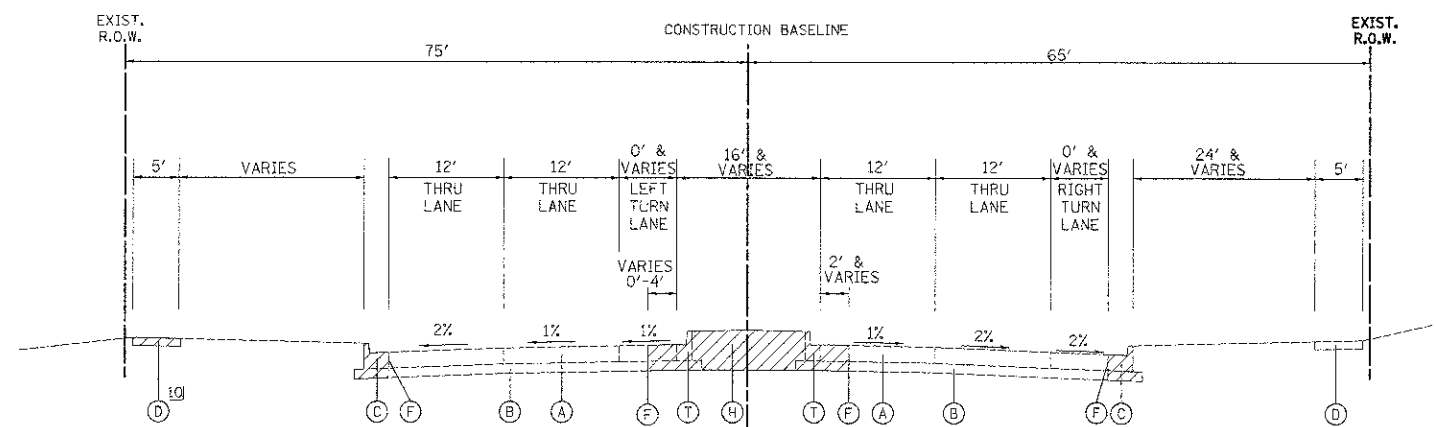
EXISTING TYPICAL SECTION

SCHAUMBURG ROAD  
STATION 46+76 TO STATION 48+75



EXISTING TYPICAL SECTION

SCHAUMBURG ROAD  
STATION 48+75 TO STATION 50+40



EXISTING TYPICAL SECTION

SCHAUMBURG ROAD  
STATION 50+40 TO STATION 53+40.03

LEGEND

- (A) EXISTING P.C.C. PAVEMENT, 11" - 12 7/8"
- (B) EXISTING SUBBASE GRANULAR MATERIAL, 4 1/8" - 7"
- (C) EXISTING COMBINATION CONCRETE CURB AND GUTTER, TYPE B-6.24
- (D) EXISTING P.C.C. SIDEWALK
- (E) EXISTING CORRUGATED MEDIAN
- (F) PROPOSED FULL-DEPTH SAW CUT (INCLUDED IN COST OF ITEM BEING REMOVED)
- (G) EXISTING COMBINATION CONCRETE CURB AND GUTTER, TYPE B-6.12
- (H) EXISTING LANDSCAPED MEDIAN
- (I) EXISTING HOT-MIX ASPHALT PAVEMENT, 1 3/4" - 2 1/8"
- (J) EXISTING P.C.C. PAVEMENT, 9 3/4" - 10"
- (K) EXISTING SUBBASE GRANULAR MATERIAL, 4 1/2" - 5 1/2"
- (L) EXISTING HOT-MIX ASPHALT BIKEPATH
- (M) EXISTING CONCRETE BARRIER MEDIAN
- (N) EXISTING HOT-MIX ASPHALT PAVEMENT, 16 1/8"
- (O) EXISTING COMBINATION CONCRETE CURB AND GUTTER, TYPE M-4.12
- (P) EXISTING HOT-MIX ASPHALT MEDIAN
- (Q) HOT-MIX ASPHALT SURFACE REMOVAL, 2 1/4"
- (R) NOT USED
- (S) HOT-MIX ASPHALT SURFACE REMOVAL, 1 1/2"
- (T) EXISTING COMBINATION CONCRETE CURB AND GUTTER, TYPE B-9.12
- (U) EXISTING HOT-MIX ASPHALT PAVEMENT, 10"
- (V) EXISTING SUBBASE GRANULAR MATERIAL, 20"
- (W) EXISTING HOT-MIX ASPHALT PAVEMENT, 4"

REMOVAL ITEMS

- 9) EXISTING P.C.C. SIDEWALK REMOVAL STATION 36+33 TO STATION 37+50
- 10) EXISTING P.C.C. SIDEWALK REMOVAL STATION 50+65 TO STATION 52+52

FILE NAME = ...heehs\2329\_Typ\_Exist\_03.dgn

USER NAME = d.j.k.  
PLOT SCALE = 50.0000' / 1".  
PLOT DATE = 8/16/2012

DESIGNED - JAT  
DRAWN - JAT  
CHECKED - DJK  
DATE - 8-20-12

REVISED -  
REVISED -  
REVISED -  
REVISED -

STATE OF ILLINOIS  
DEPARTMENT OF TRANSPORTATION

SCHAUMBURG ROAD  
EXISTING TYPICAL SECTIONS  
NOT TO SCALE SHEET NO. 3 OF 4 SHEETS STA. TO STA.

F.A.U. RTE. 1322	SECTION 01-00074-00-CH	COUNTY COOK	TOTAL SHEETS NO. 245	SHEET NO. 16
CONTRACT NO. 63629				
FED. ROAD DIST. NO. 1 ILLINOIS FED. AID PROJECT M-CMM-8003(051)				