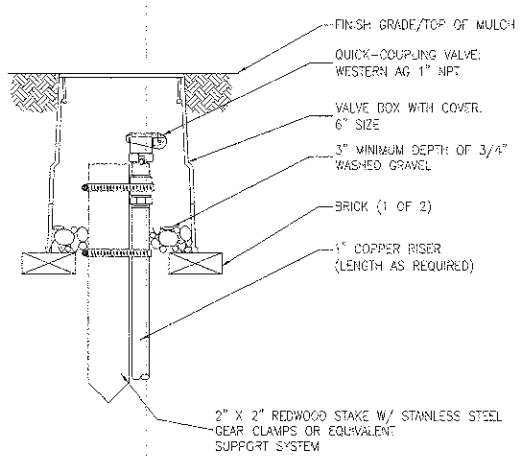


NOTES:
1. INSTALLATION TO BE COMPLETED IN ACCORDANCE WITH MANUFACTURER'S SPECIFICATIONS.

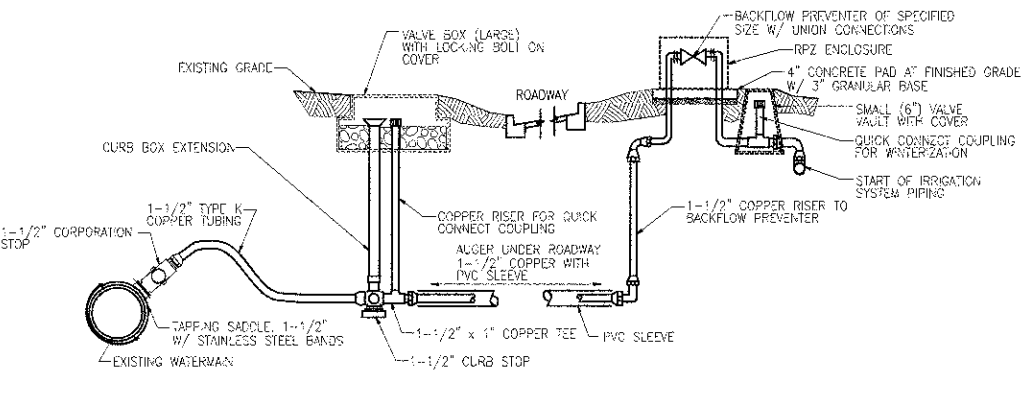
VALVE BOX (LARGE)



NOTES:
1. INSTALLATION TO BE COMPLETED IN ACCORDANCE WITH MANUFACTURER'S SPECIFICATIONS.

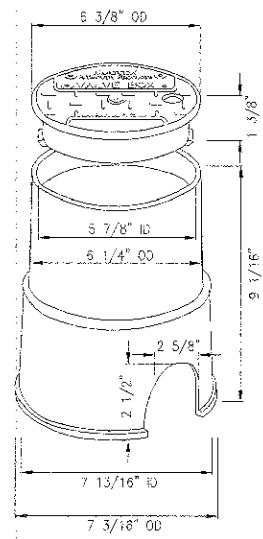
QUICK COUPLE

RUBBER COVERED QUICK COUPLING VALVE IN A VALVE BOX, ON A SWING JOINT STABILIZED WITH A REDWOOD STAKE AND CLAMPS.

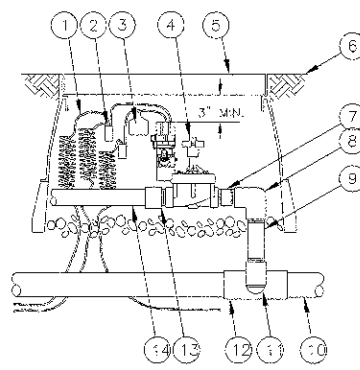


WATER SERVICE CONNECTION & BACKFLOW PREVENTER DETAIL FOR MEDIAN IRRIGATION SYSTEM

NOTES:
1. INSTALLATION TO BE COMPLETED IN ACCORDANCE WITH MANUFACTURER'S SPECIFICATIONS.

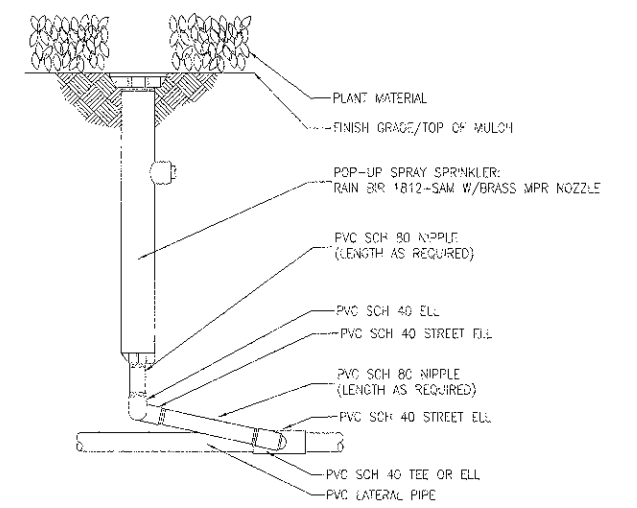


VALVE BOX 6"



- 1 30-INCH LINEAR LENGTH OF WIRE, COILED
- 2 WATERPROOF CONNECTION
- 3 10 TAG: RAIN BIRD WD SERIES
- 4 REMOTE CONTROL VALVE: RAIN BIRD PEB
- 5 VALVE BOX WITH COVER
- 6 FINISH GRADE/TOP OF MULCH
- 7 PVC SCH 80 NIPPLE (CLOSE)
- 8 PVC SCH 40 ELL
- 9 PVC SCH 80 NIPPLE (LENGTH AS REQUIRED)
- 10 PVC MAINLINE PIPE
- 11 SCH 80 NIPPLE (2-INCH LENGTH, HIDDEN) AND SCH 40 ELL
- 12 PVC SCH 40 TEE OR ELL
- 13 PVC SCH 40 MALE ADAPTER
- 14 PVC LATERAL PIPE

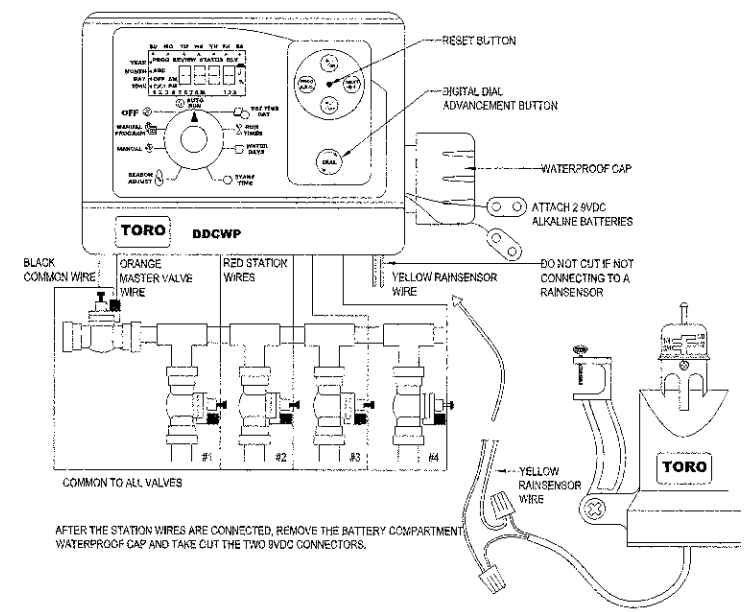
ELECTRIC REMOTE CONTROL VALVE



NOTES:
1. INSTALLATION TO BE COMPLETED IN ACCORDANCE WITH MANUFACTURER'S SPECIFICATIONS.

1812 POP-UP SPRAY SPRINKLER

12" PLASTIC POP-UP SPRAY HEAD ON SWING JOINT, SHOWING BOTTOM INLET



NOTES:
1. INSTALLATION TO BE COMPLETED IN ACCORDANCE WITH MANUFACTURER'S SPECIFICATIONS.
2. DO NOT SCALE DRAWINGS.
3. CONTRACTOR'S NOTE: FOR PRODUCT AND COMPANY INFORMATION VISIT www.CADdetail.com/info REFERENCE NUMBER 065-316.

DDCWP TORO CONTROLLER

INSTALLATION DETAIL

FILE NAME = ...12329_IRRIGATION_DET.dgn	USER NAME = djk	DESIGNED - KRK	REVISED -	STATE OF ILLINOIS DEPARTMENT OF TRANSPORTATION	BARRINGTON ROAD AND SCHAUMBURG ROAD IRRIGATION DETAILS	F.A.U. R.T.E. = 1322	SECTION = 01-00074-00-CH	COUNTY = COOK	TOTAL SHEETS = 245	SHEET NO. = 125
	PLOT SCALE = 10,000 / 1" = 100'	CHECKED - DJK	REVISED -			SCALE: SHEET NO. 3 OF 3 SHEETS	STA. TO STA.	FED. ROAD DIST. NO. 1	ILLINOIS	FED. AID PROJECT M-CM-800305D
PLOT DATE = 8/16/2012	DATE = 8-20-12	REVISED -	REVISED -							