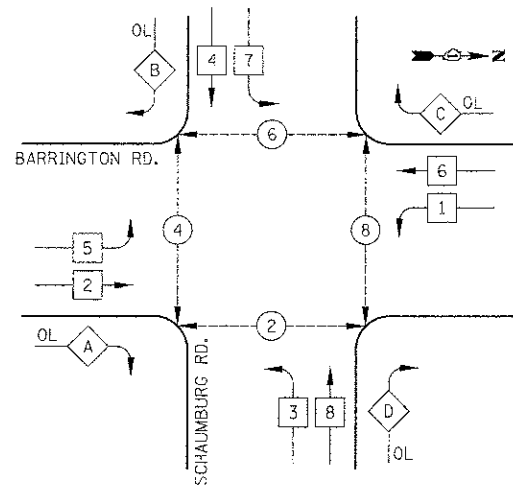
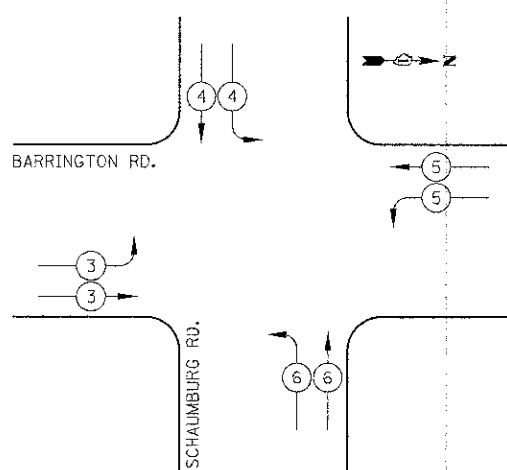


PROPOSED CONTROLLER SEQUENCE

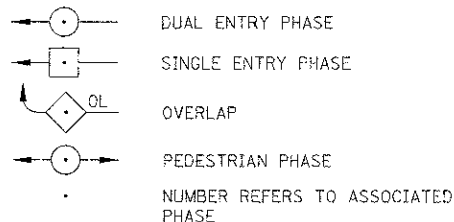


PROPOSED EMERGENCY VEHICLE PREEMPTION SEQUENCE



EMERGENCY VEHICLE PREEMPTORS				
EMERGENCY VEHICLE PREEMPTOR	3	4	5	6
MOVEMENT				

LEGEND



PHASE DESIGNATION DIAGRAM

RIGHT TURN OVERLAP PHASE DESIGNATION

OVERLAP LETTER	PERMISSIVE PHASE	PROTECTED PHASE
A	= 2	+ 3
B	= 4	+ 5
C	= 6	+ 7
D	= 8	+ 1

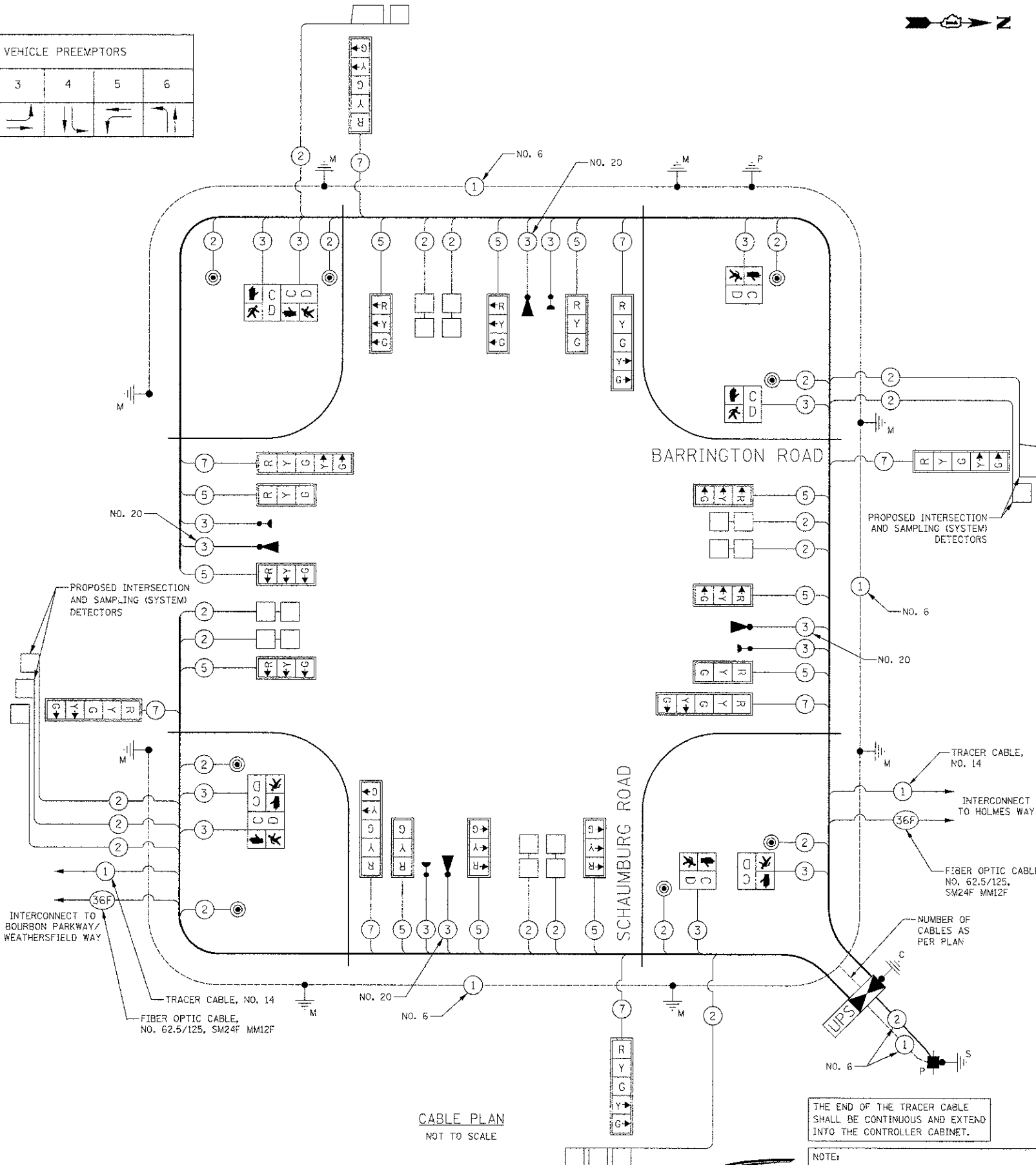
SCHEDULE OF QUANTITIES

PAY ITEM	UNIT	QNTY.
SIGN PANEL - TYPE 1	SQ FT	40
SIGN PANEL - TYPE 2	SQ FT	42
SERVICE INSTALLATION - POLE MOUNTED	EACH	1
UNDERGROUND CONDUIT, GALVANIZED STEEL, 2" DIA.	FOOT	1595
UNDERGROUND CONDUIT, GALVANIZED STEEL, 2 1/2" DIA.	FOOT	5
UNDERGROUND CONDUIT, GALVANIZED STEEL, 3" DIA.	FOOT	147
UNDERGROUND CONDUIT, GALVANIZED STEEL, 4" DIA.	FOOT	882
HANDHOLE	EACH	5
HEAVY-DUTY HANDHOLE	EACH	4
DOUBLE HANDHOLE	EACH	3
FULL-ACTUATED CONTROLLER AND TYPE IV CABINET, SPECIAL	EACH	1
TRANSCEIVER - FIBER OPTIC	EACH	1
ELECTRIC CABLE IN CONDUIT, SIGNAL NO. 14 2C	FOOT	1792
ELECTRIC CABLE IN CONDUIT, SIGNAL NO. 14 3C	FOOT	3042
ELECTRIC CABLE IN CONDUIT, SIGNAL NO. 14 5C	FOOT	3456
ELECTRIC CABLE IN CONDUIT, SIGNAL NO. 14 7C	FOOT	2152
ELECTRIC CABLE IN CONDUIT, LEAD-IN, NO. 14 1 PAIR	FOOT	4958
ELECTRIC CABLE IN CONDUIT, SERVICE, NO. 6 2 C	FOOT	202
ELECTRIC CABLE IN CONDUIT, EQUIPMENT GROUNDING CONDUCTOR, NO. 6 1C	FOOT	1402
TRAFFIC SIGNAL POST, GALVANIZED STEEL 10 FT.	EACH	2
PEDESTRIAN PUSH-BUTTON POST, GALVANIZED STEEL, TYPE I	EACH	2
STEEL MAST ARM ASSEMBLY AND POLE, 30 FT.	EACH	1
STEEL MAST ARM ASSEMBLY AND POLE, 32 FT.	EACH	1
STEEL MAST ARM ASSEMBLY AND POLE, 34 FT.	EACH	1
STEEL MAST ARM ASSEMBLY AND POLE, 38 FT.	EACH	1
STEEL MAST ARM ASSEMBLY AND POLE, 50 FT.	EACH	2
STEEL MAST ARM ASSEMBLY AND POLE, 54 FT.	EACH	1
STEEL MAST ARM ASSEMBLY AND POLE, 66 FT.	EACH	1
CONCRETE FOUNDATION, TYPE A	FOOT	4
CONCRETE FOUNDATION, TYPE C	FOOT	4
CONCRETE FOUNDATION, TYPE E 30-INCH DIAMETER	FOOT	60
CONCRETE FOUNDATION, TYPE E 36-INCH DIAMETER	FOOT	45
CONCRETE FOUNDATION, TYPE E 42-INCH DIAMETER	FOOT	21
SIGNAL HEAD, LED, 1-FACE, 3-SECTION, MAST-ARM MOUNTED	EACH	12
SIGNAL HEAD, LED, 1-FACE, 5-SECTION, MAST-ARM MOUNTED	EACH	8
PEDESTRIAN SIGNAL HEAD, LED, 1-FACE, BRACKET MOUNTED WITH COUNTDOWN TIMER	EACH	4
PEDESTRIAN SIGNAL HEAD, LED, 2-FACE, BRACKET MOUNTED WITH COUNTDOWN TIMER	EACH	2
TRAFFIC SIGNAL BACKPLATE, LOUVERED, ALUMINUM	EACH	20
INDUCTIVE LOOP DETECTOR	EACH	15
DETECTOR LOOP, TYPE I	FOOT	871
* LIGHT DETECTOR	EACH	4
* LIGHT DETECTOR AMPLIFIER	EACH	1
PEDESTRIAN PUSH-BUTTON	EACH	8
TEMPORARY TRAFFIC SIGNAL INSTALLATION	EACH	1
REMOVE EXISTING TRAFFIC SIGNAL EQUIPMENT	EACH	1
REMOVE EXISTING HANDHOLE	EACH	11
REMOVE EXISTING DOUBLE HANDHOLE	EACH	1
REMOVE EXISTING CONCRETE FOUNDATION	EACH	9
* EMERGENCY VEHICLE PRIORITY SYSTEM LINE SENSOR CABLE, NO. 20 3/C	FOOT	1200
UNINTERRUPTIBLE POWER SUPPLY, SPECIAL	EACH	1
TEMPORARY TRAFFIC SIGNAL TIMING	EACH	1

*100% COST TO VILLAGE OF SCHAUMBURG

I.D.O.T. TRAFFIC SIGNAL INSTALLATION ELECTRICAL SERVICE REQUIREMENTS					TOTAL WATTAGE
TYPE	NO. LAMPS	WATTAGE INCAND.	LED	% OPERATION	
SIGNAL (RED)	20		17	0.50	170
(YELLOW)	20		25	0.25	125
(GREEN)	20		15	0.25	75
ARROW	16		12	0.10	19
PED. SIGNAL	8		25	1.00	200
CONTROLLER	1		100	1.00	100
FLASHER				0.50	
TOTAL =					689

ENERGY COSTS TO: ILLINOIS DEPARTMENT OF TRANSPORTATION
201 WEST CENTER COURT
SCHAUMBURG, IL 60196-1096
ENERGY SUPPLY: CONTACT: MARK GLOECKLE
PHONE: (630) 691-4529
COMPANY: COM ED



CABLE PLAN NOT TO SCALE

THE END OF THE TRACER CABLE SHALL BE CONTINUOUS AND EXTEND INTO THE CONTROLLER CABINET.

NOTE: THE TRAFFIC SIGNAL CONTROLLER EQUIPMENT FOR THIS PROJECT SHALL BE "ECONOLITE" TO MATCH THE EXISTING ADJACENT SYSTEM.

FILE NAME =	USER NAME = djk	DESIGNED - BRD	REVISED -
...185_Barrington-Schaumburg Cable Plan.dwg		DRAWN - OJT	REVISED -
		CHECKED - JJE	REVISED -
		DATE - 8-20-12	REVISED -

STATE OF ILLINOIS DEPARTMENT OF TRANSPORTATION

SCHEDULE OF QUANTITIES, CABLE PLAN, PHASE DESIGNATION DIAGRAM AND EMERGENCY VEHICLE PREEMPTION SEQUENCE
BARRINGTON ROAD AND SCHAUMBURG ROAD

NOT TO SCALE SHEET NO. 1 OF 1 SHEETS STA. TO STA.

F.A.U. RTE.	SECTION	COUNTY	TOTAL SHEETS	SHEET NO.
1322	01-00074-00-CH	COOK	245	131
				CONTRACT NO. 63629
FED. ROAD DIST. NO. 1 (ILLINOIS) FED. AID PROJECT M-CMM-8003(051)				

