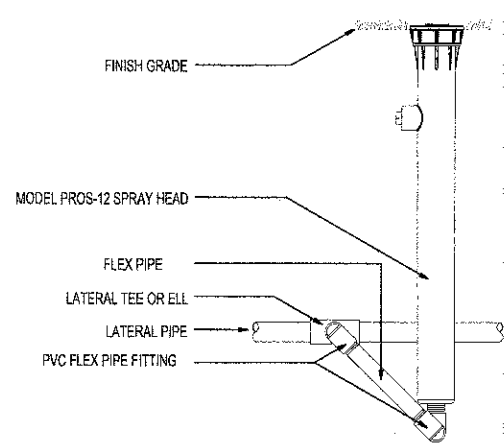
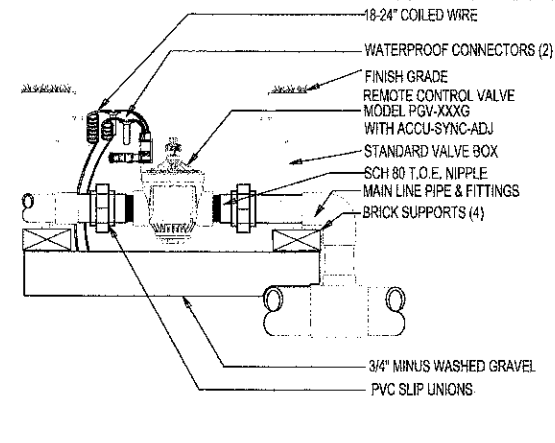


\*NOTE\* SPECIFY 3, 6, 9, 12, 15 STATION MODEL CONTROLLER. MOUNT CONTROLLER WITH LCD SCREEN AT EYE LEVEL. CONTROLLER SHALL BE HARD-WIRED TO GROUNDED 110 VAC SOURCE.

PRO-C CONTROLLER OR APPROVE EQUAL  
SCALE: N.T.S. IRRIGATION DETAIL



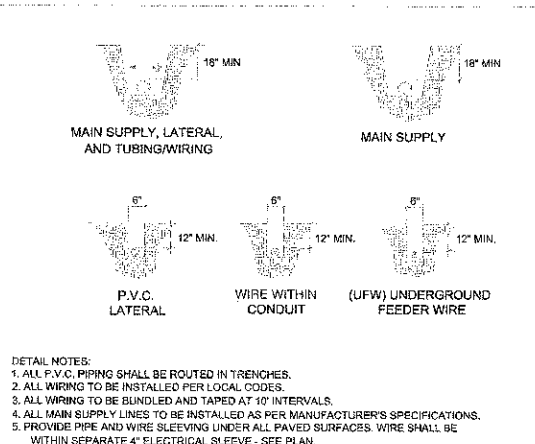
PROS-12 SPRAY HEAD OR APPROVED EQUAL  
SCALE: N.T.S. IRRIGATION DETAIL



PGV GLOBE VALVE OR APPROVED EQUAL  
SCALE: N.T.S. IRRIGATION DETAIL

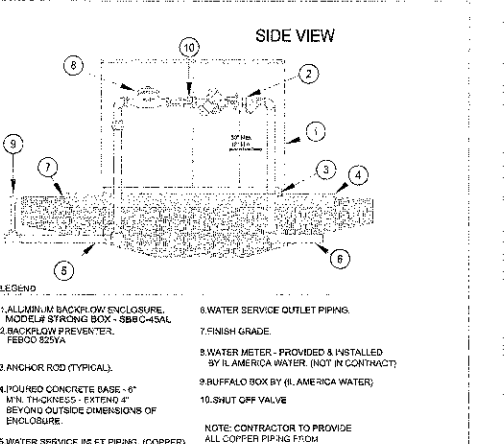
NOTES:

- Head locations are to scale; pipe locations are diagrammatic. Valves and Mainline shown in paved areas are for GRAPHIC CLARITY ONLY. All Valves and Mainline shall be installed within Landscape areas per Village approval.
- Irrigation Design is from the Point Of Connection (POC) only. The design is based on Gallons Per Minute (GPM) and Pounds Per Square Inch (PSI) furnished by others.
- All heads to be installed on swing joints or flexible poly-whip (10" minimum).
- Quick Coupler Valves to be set in turf flush with grade on swing joints. All electric valves shall be located in valve boxes flush with grade.
- All wire splices or connections shall be made with waterproof wire connectors and be in valve or splice boxes.
- Piping crossing under concrete or asphalt in excess of 4' shall be in rigid sleeving 2X pipe O.D.
- Flow pattern and distance of spray shall be regulated with the use of adjustment screw(s) to minimize overthrow onto paved areas; however, radius shall not be reduced more than 25% or allowed to cause a lack of coverage.
- Adjustments necessary in the field shall be made by the contractor.
- Rain Sensor shall be wired into bypass switch box next to controller or terminals provided internally. Rain sensor shall be mounted to a rigid surface in open area.
- No changes to plan or materials is allowed without prior consent of the Engineer.
- Bidding contractors should become thoroughly familiar with all facets of the proposed irrigation system. Failure to clarify misunderstandings, or intent of these drawings and specifications before submittal of bid shall be the responsibility of the contractor.
- Irrigation Contractor will arrange inspections required by local agencies and ordinances during the course of construction as required. ALL WIRING PER LOCAL CODE. BACKFLOW PREVENTION AS PER LOCAL CODE.
- Quick couplers and lines shown will be verified on sight and adjusted to meet conditions.
- Directional boring under roadway to be included in the lump sum bid for this project.
- Sleeving material shall be 4" SCH 40 BE Pipe.
- Boring contractor to provide all necessary and required lane closures and safety boards.
- RPZ backflow preventer and Meter to be installed in an enclosure as shown on the detail.
- Final location of enclosures to be approved by village engineer.
- Bidding contractor is responsible to install and connect a 14 gauge burial wire from existing electrical boxes, and install at a 18" depth, to the location of the controller. Connection and installation to the controller shall be done with weather tight fittings above ground and according to the Controller manufacturer's recommendations for installation.

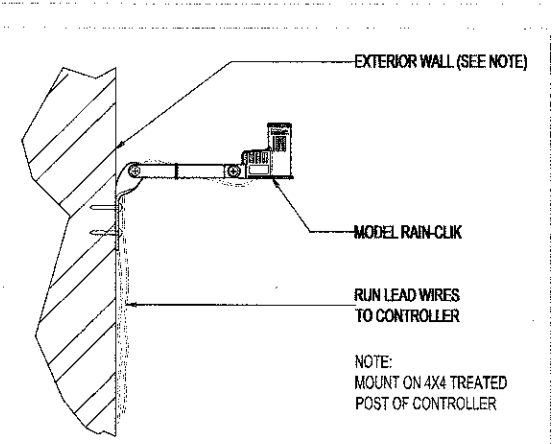


DETAIL NOTES:  
1. ALL P.V.C. PIPING SHALL BE ROUTED IN TRENCHES.  
2. ALL WIRING TO BE INSTALLED PER LOCAL CODES.  
3. ALL WIRING TO BE BUNDLED AND TAPED AT 10' INTERVALS.  
4. ALL MAIN SUPPLY LINES TO BE INSTALLED AS PER MANUFACTURER'S SPECIFICATIONS.  
5. PROVIDE PIPE AND WIRE SLEEVING UNDER ALL PAVED SURFACES. WIRE SHALL BE WITHIN SEPARATE 4" ELECTRICAL SLEEVE - SEE PLAN.

TRENCHING DETAIL  
SCALE: N.T.S.



ALUMINUM BACKFLOW ENCLOSURE OR EQUAL  
SCALE: N.T.S. MODEL# STRONG BOX - SBBC-45AL 46"L x 29.5"H x 16.25"W



RAIN-CLIK OR APPROVED EQUAL  
SCALE: N.T.S. IRRIGATION DETAIL

Irrigation System Meter:

The water meter shall be installed within an enclosure per plan.

The water meter shall be installed in accordance with the Commercial Water Meter Requirements. The irrigation system shall be provided with a reduced pressure zone (RPZ) backflow prevention device in accordance with ILAWC requirements and state/local plumbing codes. The RPZ shall be installed downstream of the water meter.

Provide the anticipated maximum water demand (largest zone in operation) for the irrigation system. The meter shall be sized based on this demand. The meter shall be installed with its own connection to the riser. Do not install this meter downstream of the domestic meter, deduct meter installations are not allowed. The developer's plumber shall provide the required piping spread for the meter installation. Eccentric cam or ball valves shall be installed on each side of the meter.

ILAWC shall supply and install the water meter. Contact the Engineering Department at 630-739-8831 to schedule the meter installation. Anticipate about two weeks for the meter installation.

ILAWC shall size, provide and install a water meter for each irrigation meter enclosure.

- Meters are provided with couplings, the meter spread dimension includes the threaded coupling lengths.
- The meter flanges shall be given to the contractor's plumber to install. The meter spread dimension includes the 1/8" gasket dimension. The spacing between the flanges shall be in accordance with the Neptune T-10 Meter Spread (or approved equal) requirement. Two inch water meters shall be provided with lockable 2" by-pass. A 2" flanged test tee shall be installed immediately downstream of the meter.
- Refer to the Schlumberger (or approved equal) water meter specifications regarding additional installation requirements for the Neptune T-10 water meter.

Neptune T-10 ***Meter Size	Meter Spread	Meter -Type of End	Threads per Inch
5/8" x 3/4"	12-3/4"	*Male - Threaded	11-1/2"
3/4" Long	14-1/4"	*Male - Threaded	11-1/2"
1"	16-1/4"	*Male - Threaded	11-1/2"
1-1/2"	13-1/4"	**Flanged to Flange	N/A
2"	17-1/4"	**Flanged to Flange	N/A

NOTE: All materials on this list are PROPRIETARY in nature. Equal Materials shall be allowed upon Engineer's approval.

FILE NAME = \$FILE\$

USER NAME = \$USER\$	DESIGNED -- WALSH	REVISED -- 01/27/12 PER IDOT
	DRAWN -- WALSH	REVISED -- 04/11/12 PER IDOT
PLOT SCALE = 1"=20'	CHECKED -- WALSH	REVISED -- 05/14/12 PER IDOT
PLOT DATE = \$DATE\$	DATE -- 06/29/11	REVISED -- 12/04/12 PER IDOT

STATE OF ILLINOIS DEPARTMENT OF TRANSPORTATION

IRRIGATION DETAILS & NOTES

SCALE: NONE DRAWING NO. 32 OF 33 STA. N/A TO STA. N/A

F.A.P. RTE.	SECTION	COUNTY	TOTAL SHEETS	SHEET NO.
0870	08-00049-00-LS	WILL	33	32
ILLINOIS			CONTRACT NO. 63714	