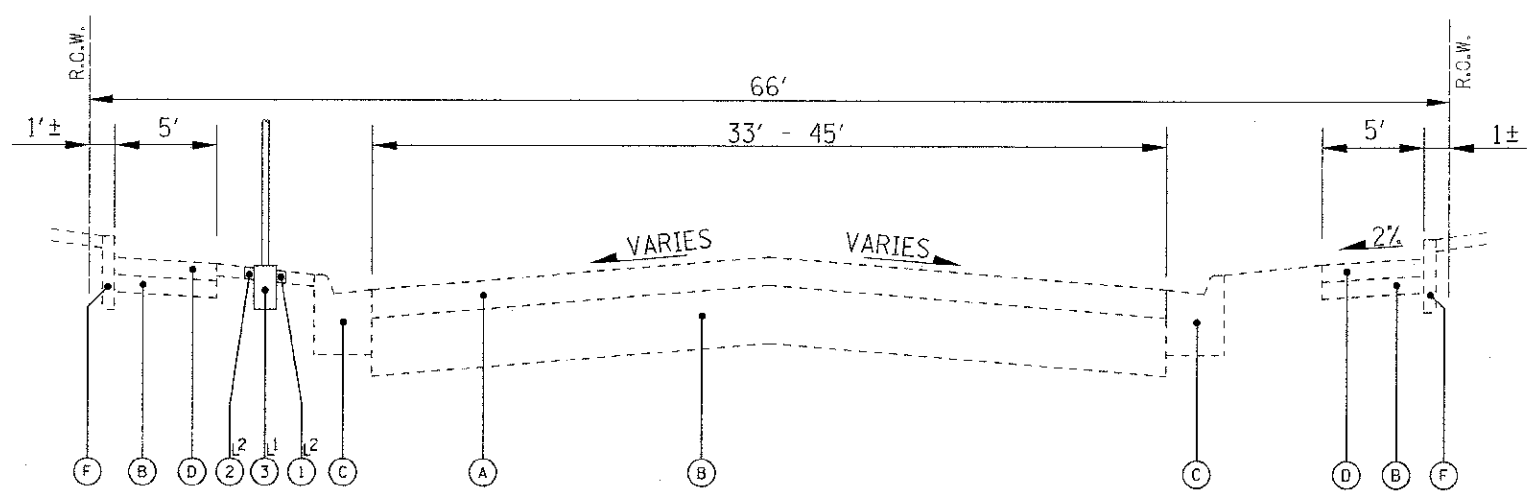


**EXISTING TYPICAL SECTION**  
 STA 98+67 TO STA 128+71 25TH AVENUE  
 (NOT TO SCALE)



**PROPOSED TYPICAL SECTION**  
 STA 98+67 TO STA 128+71 25TH AVENUE  
 (NOT TO SCALE)

- 1 SEE PLANS FOR EXACT LOCATIONS
- 2 INCLUDED IN APPLICABLE SIGNAGE PAY ITEM AS REQUIRED

- EXISTING LEGEND**
- (A) EXISTING HOT-MIX ASPHALT SURFACE AND BINDER COURSE
  - (B) EXISTING AGGREGATE BASE COURSE
  - (C) EXISTING COMBINATION CONCRETE CURB AND GUTTER
  - (D) EXISTING SIDEWALK
  - (E) GROUND SURFACE
  - (F) CONCRETE CURB, TYPE B

- PROPOSED LEGEND**
- (1) TOPSOIL FURNISH AND PLACE, 4"
  - (2) SODDING
  - (3) SIGNAGE

COPYRIGHT © 2012 BY BAXTER & WOODMAN, INC.  
 S.A.C. OF ILLINOIS - PROFESSIONAL DESIGN FIRM  
 LICENSE NO. 118-00261 - EXPIRES 4/30/2013  
 12/2/2012 3:51:52 PM  
 ...\\projects\110912\110912-TYP.sht  
 ...\\projects\110912\110912-TYP.sht



DESIGNED - MWP	REVISED -
DRAWN - CJC	REVISED -
CHECKED - LDH	REVISED -
DATE - 12/03/12	FILE - 110912-TYP.sht

**VILLAGE OF FRANKLIN PARK, ILLINOIS**  
**25TH AVENUE**  
**2012 SAFE ROUTES TO SCHOOLS**

**TYPICAL SECTIONS**

SCALE: STA. TO STA.

F.A.U. RTE.	SECTION	COUNTY	TOTAL SHEETS	SHEET NO.
2714	08-00068-00-SW	CODK	7	4
C-91-347-12		CONTRACT NO. 63719		
FED. ROAD DIST. NO. (ILLINOIS) FED. AID PROJECT 5R75-40096151				