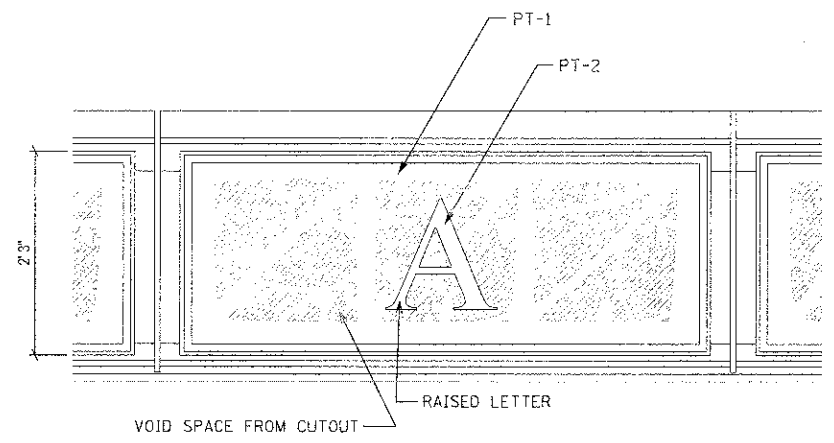
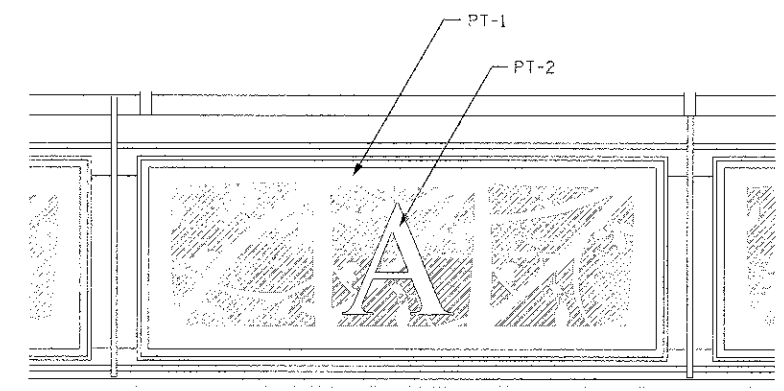


1 PLAN DETAIL
SCALE: 1" = 1'-0"



2 EXISTING ELEVATION AT NORTH GATEWAY
SCALE: 1" = 1'-0"

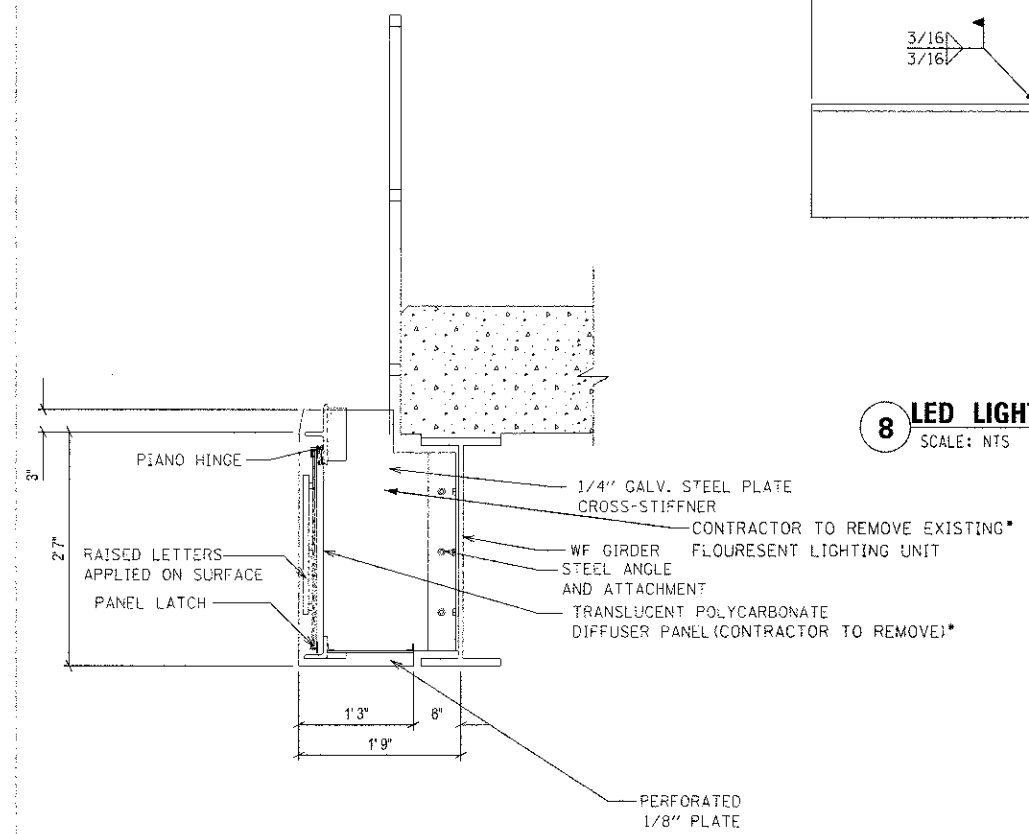
*CONTRACTOR TO REMOVE PANELS, CLEAN AND PAINT PANELS, INSTALL NEW RAISED LETTERS, WELD BRACKETS FOR LED LIGHTING AND REINSTALL PANELS.



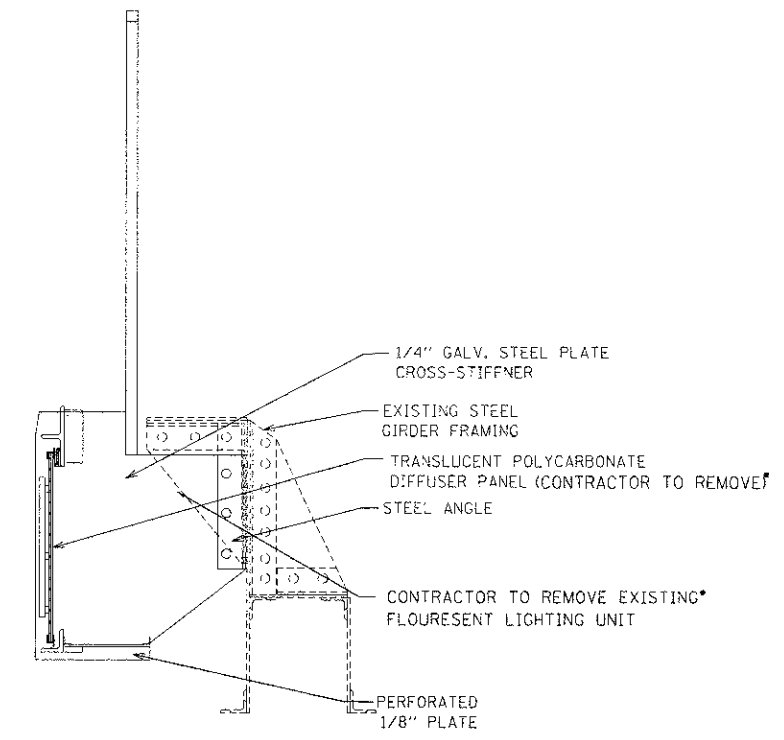
3 EXISTING ELEVATION AT SOUTH GATEWAY
SCALE: 1" = 1'-0"

*CONTRACTOR TO REMOVE PANELS, CLEAN AND PAINT PANELS, INSTALL NEW RAISED LETTERS, WELD BRACKETS FOR LED LIGHTING AND REINSTALL PANELS.

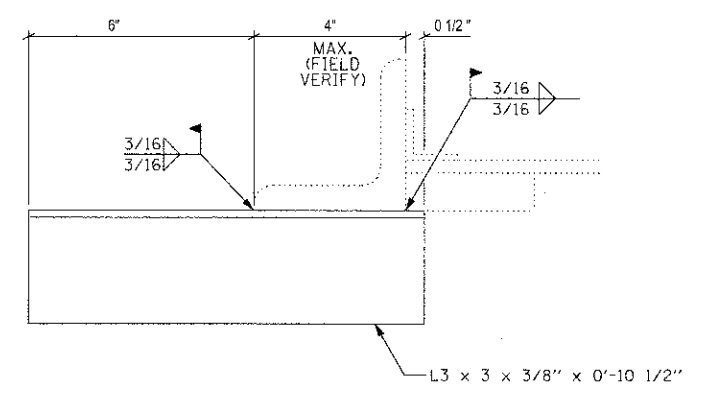
*DENOTES ALL WORK SHALL BE INCLUDED IN THE UNIT PRICE FOR SIGN TO BE RELOCATED, AND WILL NOT BE MEASURED SEPARATELY FOR PAYMENT.



4 EXISTING SECTION AT NORTH GATEWAY
SCALE: 1" = 1'-0"



5 EXISTING SECTION AT SOUTH GATEWAY
SCALE: 1" = 1'-0"



8 LED LIGHTING SUPPORT DETAIL
SCALE: NTS

*LED LIGHTING - ILLUMILINE 36 IP OPTIC 30 RGB

*1 1/2" CONDUIT W/ ELCBL C COMM 16 1 PR

SEE DETAIL 8 ABOVE

6 PROPOSED SECTION AT NORTH GATEWAY
SCALE: 1" = 1'-0"

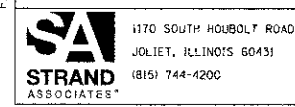
*LED LIGHTING - ILLUMILINE 36 IP OPTIC 30 RGB

*1 1/2" CONDUIT W/ ELCBL C COMM 16 1 PR

SEE DETAIL 8 ABOVE

7 PROPOSED SECTION AT SOUTH GATEWAY
SCALE: 1" = 1'-0"

FILE NAME = S:\JDL\6780--5799\6784\812\Microst\CADD Sheets\0163722-shd-marion-gateway-detail.dgn



USER NAME = dennisw	DESIGNED - JDM	REVISED - 01-07-2013
PLCT SCALE = 0.008295 1/ IN.	DRAWN - JKP	REVISED -
PLOT DATE = 1/7/2013	CHECKED - MTC	REVISED -
	DATE - 05-07-2012	REVISED -

STATE OF ILLINOIS
DEPARTMENT OF TRANSPORTATION

MARION STREET GATEWAY DETAILS			
SCALE: AS SHOWN	SHEET NO. OF SHEETS	STA. TO STA.	

F.A.U. RTE. 2783	SECTION 11-00253-00-LS	COUNTY COOK	TOTAL SHEETS 25	SHEET NO. 10
CONTRACT NO. 63722				
ILLINOIS FED. AID PROJECT				