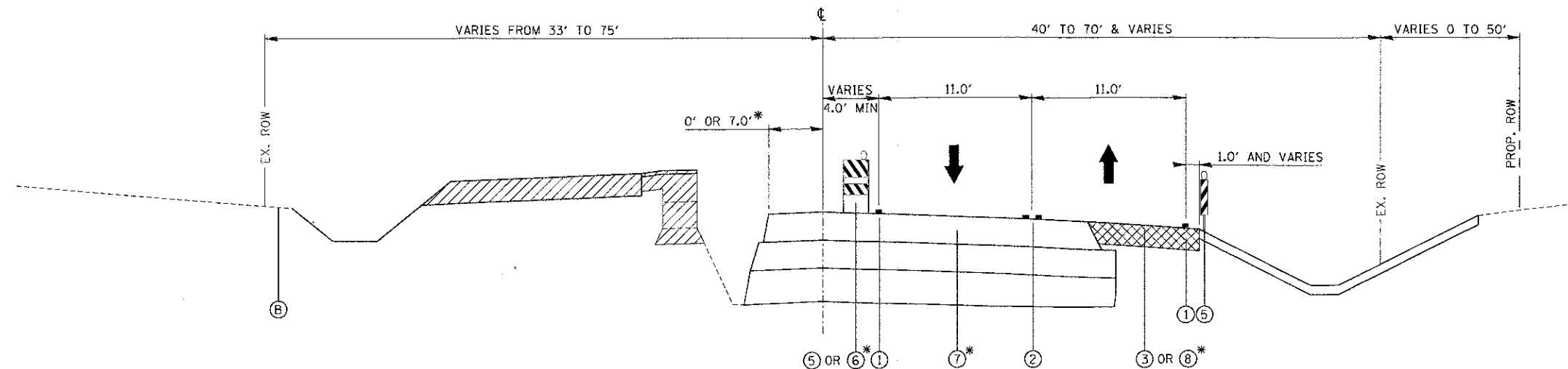


STAGE 2.2

WADSWORTH ROAD: STA. 144+49.50 TO STA. 148+61
 STA. 157+13 TO STA. 174+64
 GREEN BAY ROAD: STA. 199+91.10 TO STA. 209+51
 STA. 222+06 TO STA. 229+36.29

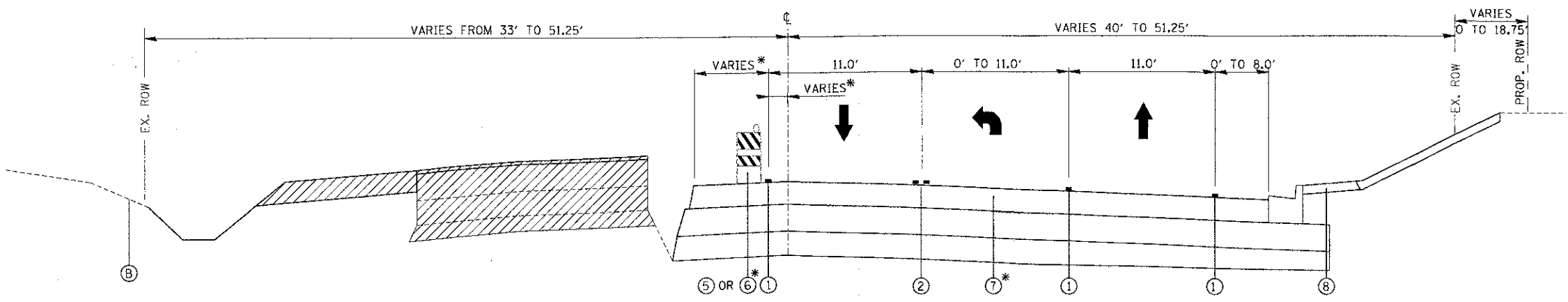
NOTES:
 ALL CONSTRUCTION MUST BE COMPLETED BY THE END OF THIS STAGE.
 AT THE END OF THIS STAGE, THE PROPOSED AGGREGATE SHOULDER ON THE SOUTH SIDE OF WADSWORTH ROAD SHALL BE CONSTRUCTED UTILIZING IDOT STANDARD 701306.
 PROPOSED SURFACE COURSE SHALL BE PLACED AT THE END OF THIS STAGE UTILIZING IDOT STANDARD 701306.
 ALL TEMPORARY PAVEMENT AT THE PROJECT LIMITS SHALL BE REMOVED AND THE CORRESPONDING AREAS SHALL BE RESTORED UTILIZING IDOT STANDARD 701306.
 SEE THE M.O.T. STAGE 2.2 PLAN SHEETS FOR LOCATIONS OF TEMPORARY CONCRETE BARRIER.



STAGE 2.2

WADSWORTH ROAD: STA. 186+77 TO STA. 195+98.95

- LEGEND**
- ① TEMPORARY PAVEMENT MARKING - LINE, WHITE
 - ② TEMPORARY PAVEMENT MARKING - LINE, YELLOW
 - ③ TEMPORARY PAVEMENT
 - HOT-MIX ASPHALT SURFACE COURSE, MIX "D", N50 (IL-9.5 MM) 1 3/4"
 - HOT-MIX ASPHALT BINDER COURSE, IL-19.0, N50, 6 1/4"
 - ④ TEMPORARY HOT-MIX ASPHALT SURFACE
 - HOT-MIX ASPHALT SURFACE COURSE, MIX "D", N50 (IL-9.5 MM), 1 3/4"
 - ⑤ TYPE II BARRICADE OR DRUM WITH BI-DIRECTIONAL LIGHT OR VERTICAL PANEL WITH BI-DIRECTIONAL LIGHT
 - ⑥ TEMPORARY CONCRETE BARRIER WITH BI-DIRECTIONAL PRISMATIC BARRIER REFLECTORS
 - ⑦ PROPOSED ROADWAY
 - ⑧ PROPOSED SHOULDER
 - ⑨ TEMPORARY DITCH, TEMPORARY EROSION CONTROL SEEDING, EROSION CONTROL BLANKET
 - Ⓐ EXISTING ROADWAY
 - Ⓑ EXISTING GROUND
 - ▨ WORK ZONE
 - * SEE NOTES



STAGE 2.2

WADSWORTH ROAD: STA. 148+61 TO STA. 157+13
 STA. 174+64 TO STA. 186+77
 GREEN BAY ROAD: STA. 209+51 TO STA. 222+06

FILE NAME: \\N:\DOT\4229\CV\1\DOT\171\940229_03.DWG	USER NAME: emond	DESIGNED: -	REVISED: -	STATE OF ILLINOIS DEPARTMENT OF TRANSPORTATION	WADSWORTH ROAD AT GREEN BAY ROAD MAINTENANCE OF TRAFFIC TYPICAL SECTIONS - STAGE 2.2			F.A.U. RTE. 1209	SECTION 03-00033-12-CH	COUNTY LAKE	TOTAL SHEETS 189	SHEET NO. 48
PLT SCALE: 1/8"	PLT DATE: 11/13/2012	DRAWN: -	REVISED: -		SCALE: -	SHEET NO. -	OF SHEETS -	STA. -	TO STA. -	CONTRACT NO. 63766		
		CHECKED: -	REVISED: -							FED. ROAD DIST. NO. 1 ILLINOIS FED. AID PROJECT		
		DATE: -	REVISED: -									