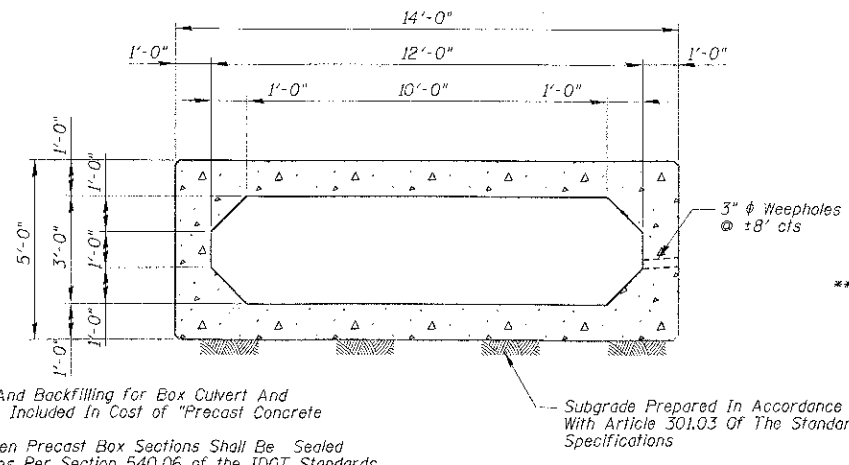
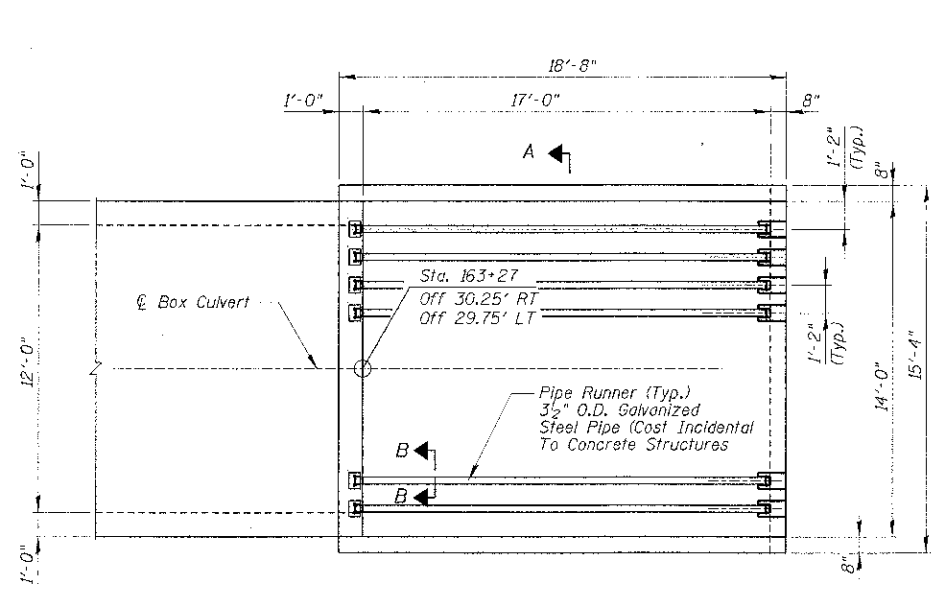


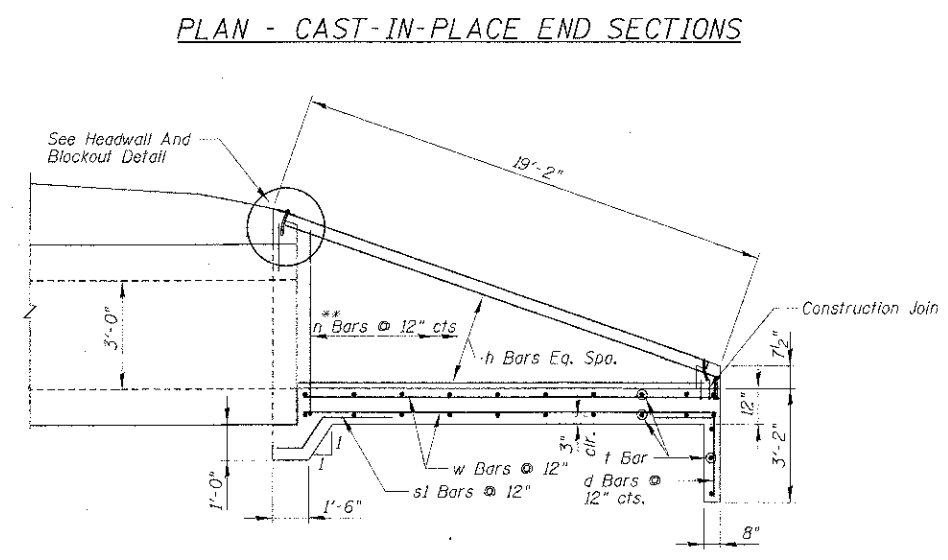
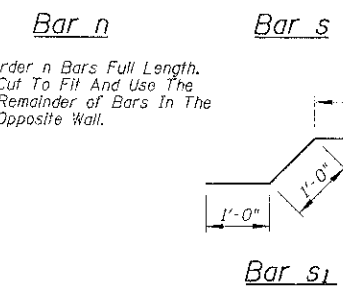
BILL OF MATERIAL

Bar	No.	Size	Length	Shape
a	6	#4	13'-8"	
d	32	#4	2'-2"	
d1	88	#4	1'-6"	
h	20	#4	17'-4"	
n	38	#4	10'-9"	
s	76	#4	4'-6"	
s1	32	#4	3'-6"	
t	82	#4	13'-8"	
w	72	#4	17'-4"	
Concrete Structures			Cu. Yd.	39.0
Reinforcement Bars			Pound	2580

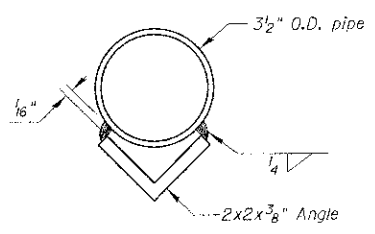
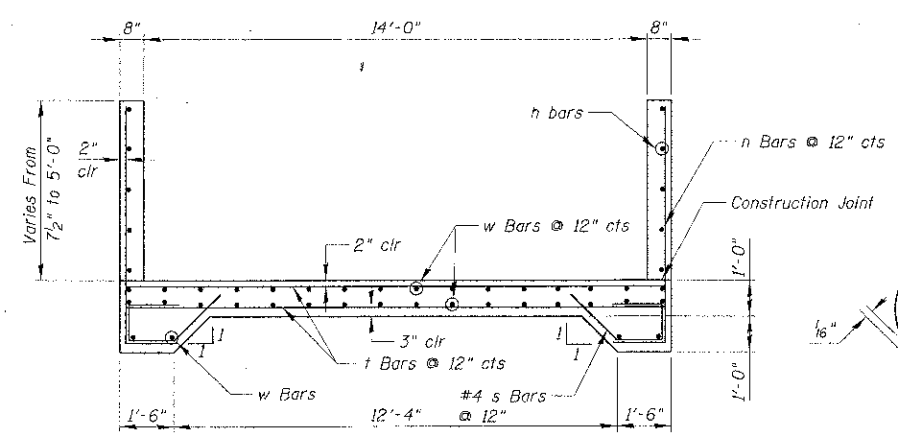
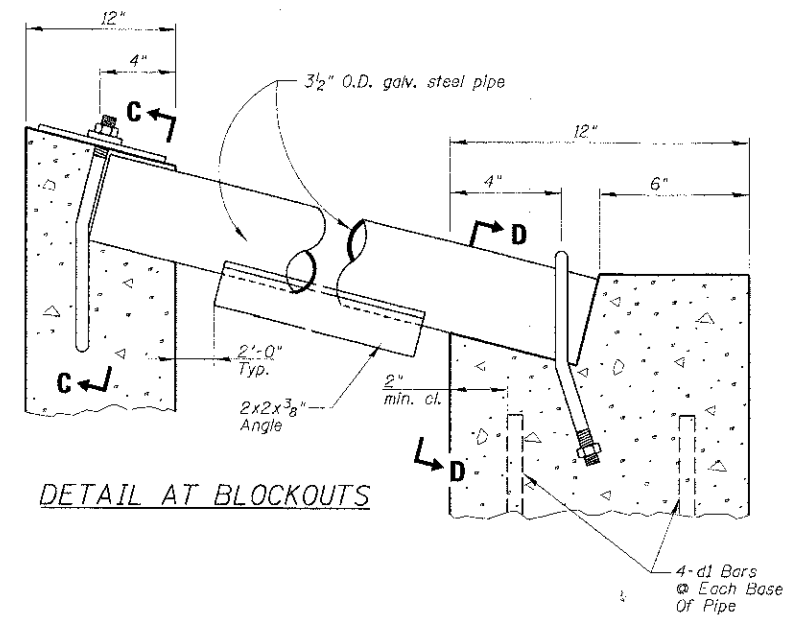
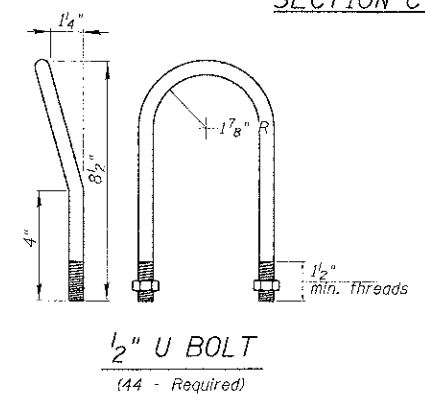
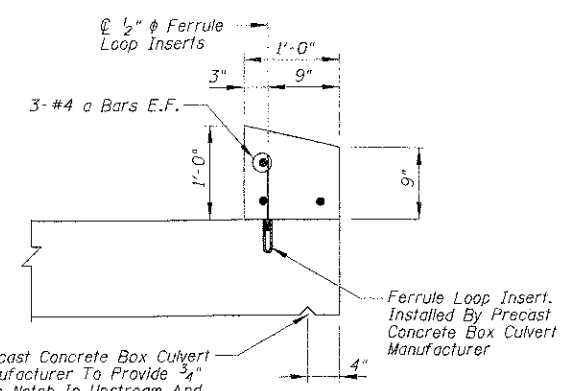
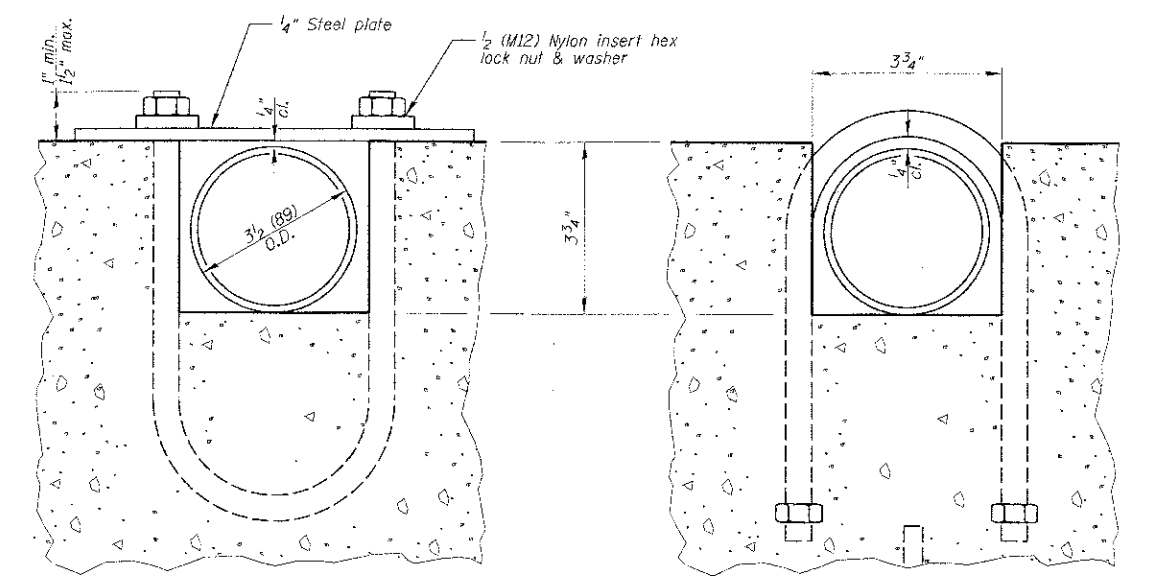
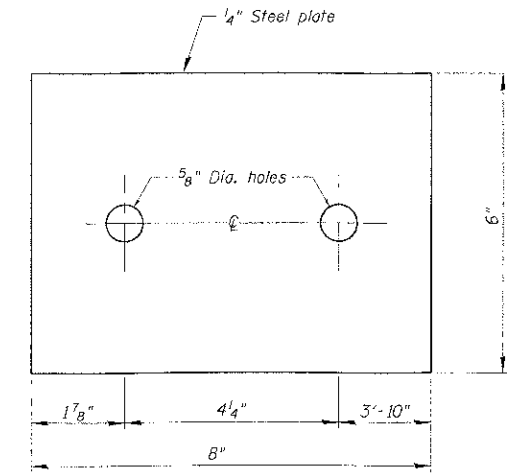


Box Culvert Notes:
 1. All Excavation And Backfilling for Box Culvert And End Sections Is Included In Cost of "Precast Concrete Box Culverts".
 2. All Joints Between Precast Box Sections Shall Be Sealed On All Four Sides Per Section 540.06 of the IDOT Standards.
 Subgrade Prepared In Accordance With Article 301.03 Of The Standard Specifications

** Order n Bars Full Length. Cut To Fit And Use The Remainder of Bars In The Opposite Wall.



** Order n Bars Full Length. Cut To Fit And Use The Remainder of Bars In The Opposite Wall.



NOTE: Galvanized steel pipe shall meet the requirements of ASTM A 53, Grade B, Schedule 40. Galvanized U-bolts, nuts, and washers shall meet the requirements of Article 1006.27(f). Steel plates shall meet the requirements of Article 1006.04, and shall be galvanized according to the requirements of AASHTO M 111 after fabrication.