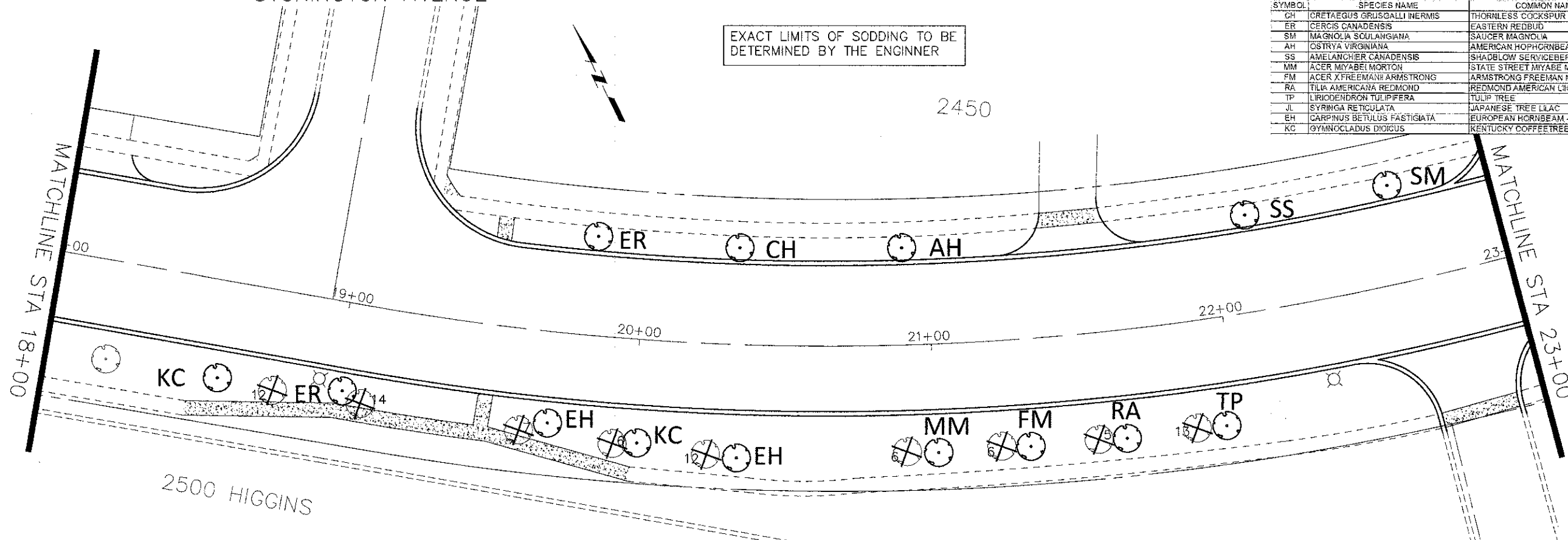


STONINGTON AVENUE

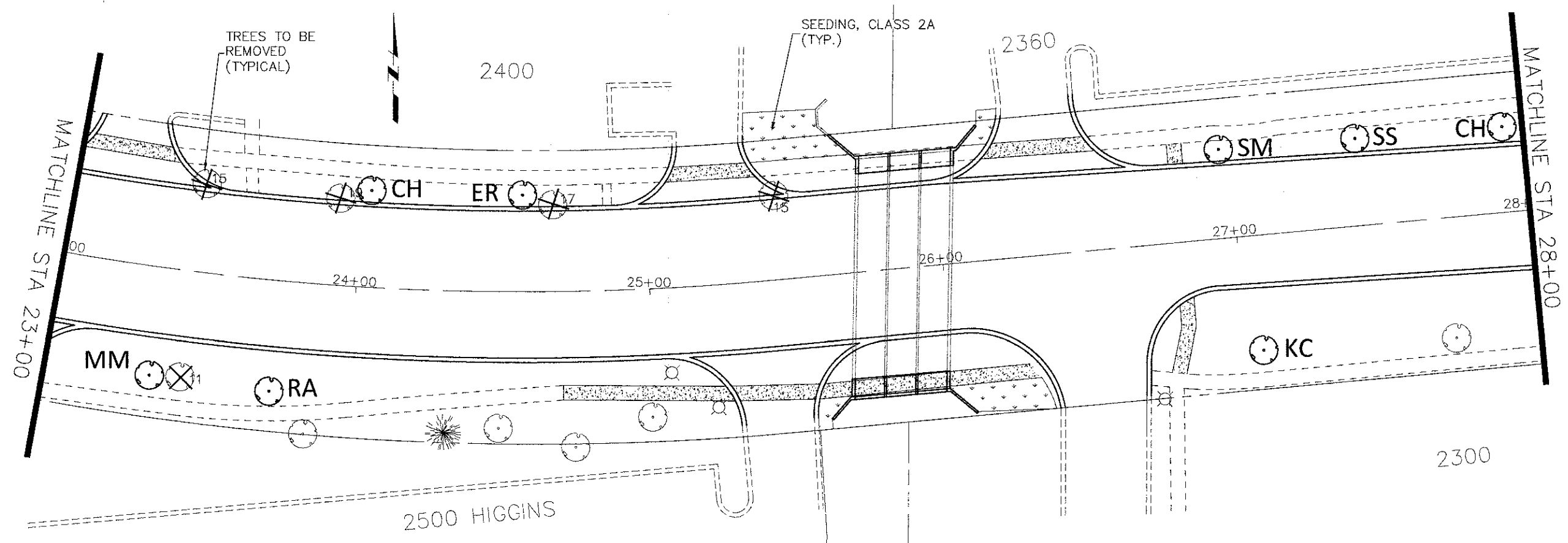
EXACT LIMITS OF SODDING TO BE DETERMINED BY THE ENGINEER

SYMBOL	SPECIES NAME	COMMON NAME	DIAMETER	HEIGHT	UNIT	QUANTITY
CH	CRATAEGUS GRUSGALLI INERMIS	THORNLESS COCKSPUR HAWTHORN	6"	8'	EA	3
ER	CERCIS CANADENSIS	EASTERN REDBUD	6"	8'	EA	3
SM	MAGNOLIA SOULANGIANA	SAUCER MAGNOLIA	6"	8'	EA	2
AH	OSTRYA VIRGINIANA	AMERICAN HOPHORNBEAM	2-1/2"		EA	1
SS	AMELANCHIER CANADENSIS	SHADBLOW SERVICEBERRY	6"	8'	EA	2
MM	ACER MIYABEI MORTON	STATE STREET MIYABE MAPLE	2-1/2"		EA	2
FM	ACER X FREEMANII ARMSTRONG	ARMSTRONG FREEMAN MAPLE	2-1/2"		EA	1
RA	TILIA AMERICANA REDMOND	REDMOND AMERICAN LINDEN	2-1/2"		EA	2
TP	LIRIODENDRON TULIPIFERA	TULIP TREE	2-1/2"		EA	1
JL	SYRINGA RETICULATA	JAPANESE TREE LLAC	2-1/2"		EA	2
EH	CARPINUS BETULUS FASTIGIATA	EUROPEAN HORNBEAM - COLUMNAR	3"		EA	2
KC	GYMNOCLADUS DIOICUS	KENTUCKY COFFEETREE	2-1/2"		EA	3

PLAN	SURVEYED	DATE
	ALLOTTED	DATE
	NOTED	DATE
	CHECKED	DATE
	BY	DATE
	NO.	



PROFILE	SURVEYED	DATE
	ALLOTTED	DATE
	NOTED	DATE
	CHECKED	DATE
	BY	DATE
	NO.	



FILE NAME = Hassell Plan-Profile.dwg

DESIGNED -	REVISED -
DRAWN -	REVISED -
CHECKED -	REVISED -
DATE -	REVISED -

STATE OF ILLINOIS
DEPARTMENT OF TRANSPORTATION

Hassell Road STP Project
Landscaping Plan

SCALE: 1" = 20' SHEET NO. 2 OF 8 SHEETS STA. 18+00 TO STA 28+00

F.A.U. RTE.	SECTION	COUNTY	TOTAL SHEETS	SHEET NO.
11-00087-00-FP		Cook	164	83
CONTRACT NO. 63770			ILLINOIS FED. AID PROJECT CMM 9003(757)	