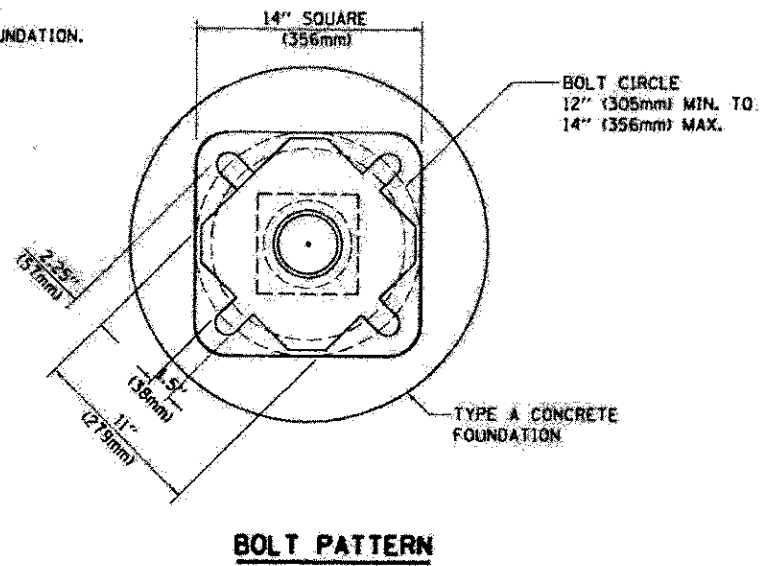


SIGN TABLE

SIGN	DIMENSIONS
R10-3b	9" (228mm) X 12" (305mm)
R10-3d	9" (228mm) X 12" (305mm)
R10-3e	9" (228mm) X 15" (381mm)



FILE NAME: 01\p\... 10/13/2012	USER NAME: d... 10/13/2012	DESIGNED: DAG	REVISED:
		DRAWN: GND	REVISED:
		CHECKED: DAG	REVISED:
		DATE: 10/1/2012	REVISED:

**STATE OF ILLINOIS  
DEPARTMENT OF TRANSPORTATION**

**DISTRICT 1  
PEDESTRIAN PUSH BUTTON POST, TYPE A**

SCALE: NONE    SHEET NO. 1 OF 1 SHEETS    STA.    TO STA.

F.A. RTE.:	SECTION:	COUNTY:	TOTAL SHEETS:	SHEET NO.:
1100	11-00087-00-EP	COOK	164	96
TS-09			CONTRACT NO. 63770	
FED. ROAD DIST. NO. 1 ILLINOIS FED. AID PROJECT C&G 9003 (757)				