

STA.	0-10 YEAR				10-100 YEAR			
	CUT		FILL		CUT		FILL	
	AREA (SF)	VOL (CF)	AREA (SF)	VOL (CF)	AREA (SF)	VOL (CF)	AREA (SF)	VOL (CF)
1457.67	12.27	0.00	0.00	0.00	3.58	0.00	0.00	0.00
1500	0.07	281.18	3.64	77.04	0.00	75.77	0.00	0.00
1550	19.13	480.00	29.75	834.75	0.00	0.00	11.77	294.25
1600	28.07	1,180.00	29.25	1,475.00	0.00	0.00	48.03	1,495.00
1650	11.78	996.25	2.15	785.00	6.77	169.25	75.81	3,096.00
1700	3.38	379.00	0.13	57.00	19.36	653.25	9.63	2,136.00
1736.74	0.00	62.09	0.00	2.39	24.02	796.89	1.83	210.52
W BANK**	26.25	1,233.75	0.00	0.00	19.63	922.61	0.00	0.00
TOTAL W		4,592.27		3,231.18		2,817.77		7,231.77
1961.42	6.74	0.00	0.00	0.00	11.30	0.00	0.00	0.00
2000	10.24	327.54	0.00	0.00	13.27	473.96	0.00	0.00
2050	12.71	573.75	0.00	0.00	32.58	1,146.25	0.00	0.00
2100	9.75	561.50	0.00	0.00	25.10	1,442.00	0.00	0.00
2141.97	14.03	499.02	0.00	0.00	22.50	998.89	0.00	0.00
E BANK**	28.72	1,349.84	0.00	0.00	15.41	724.27	0.00	0.00
TOTAL E		3,311.66		0.00		4,785.36		0.00
TOTAL PROJECT		7,903.92		3,231.18		7,403.13		7,231.77

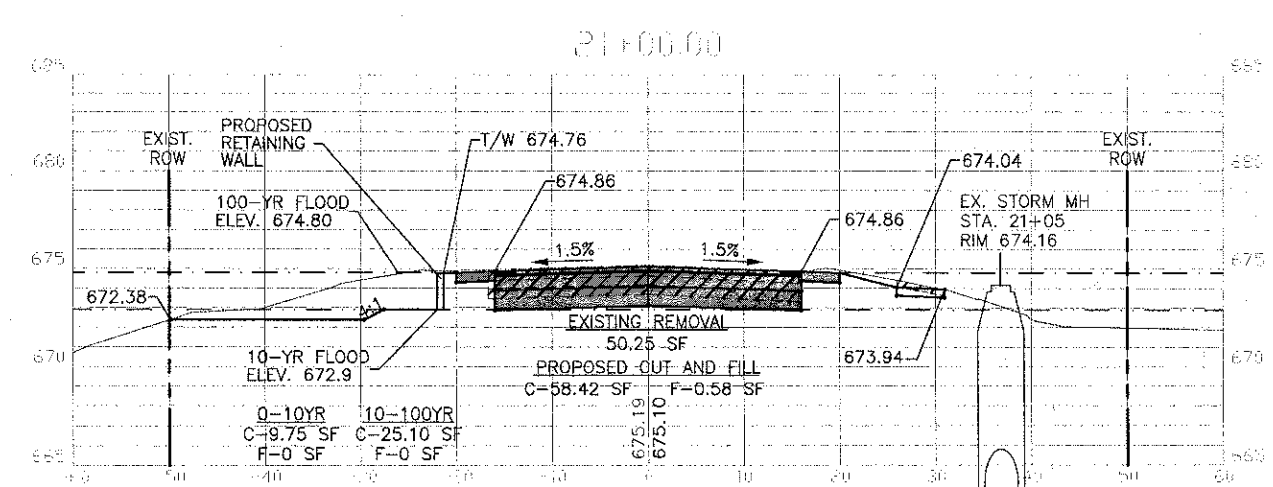
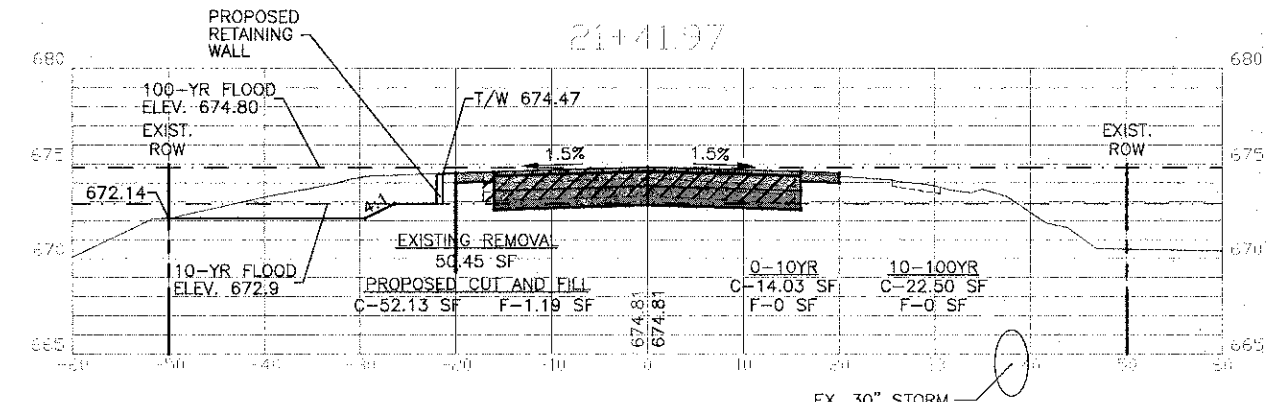
0-10 YR Required Comp. Storage 3,231.18 SY 119.67 CY

0-10 YR Provided Comp. Storage 7,903.92 SY 292.74 CY

10-100 YR Required Comp. Storage 7,231.77 SY 267.84 CY

10-100 YR Provided Comp. Storage 7,403.13 SY 274.19 CY

** W BANK and E BANK is difference in area between old and new bridge abutments multiplied by ex. deck width of 47'



USER NAME *	DESIGNED - JV/AS	REVISED -
PLOT SCALE *	DRAWN - DB	REVISED -
PLOT DATE * Jan 26, 2013	CHECKED - SV	REVISED -
	DATE -	REVISED -

STATE OF ILLINOIS
DEPARTMENT OF TRANSPORTATION

FULLERTON AVENUE BRIDGE OVER SALT CREEK
CROSS SECTIONS

SCALE: 1"=10' H 1"=5' V SHEET NO. 2 OF 2 SHEETS STA. 19+61.42 TO STA. 21+41.97

F.A.U. RTE.	SECTION	COUNTY	TOTAL SHEETS	SHEET NO.
	08-01120-00-BR	DuPAGE	38	38
CONTRACT NO. 63785			ILLINOIS FED. AD PROJECT	