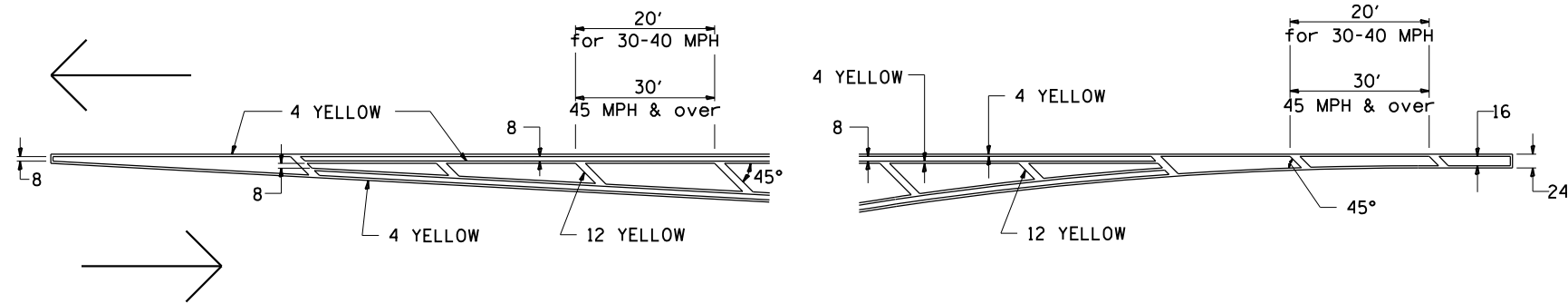
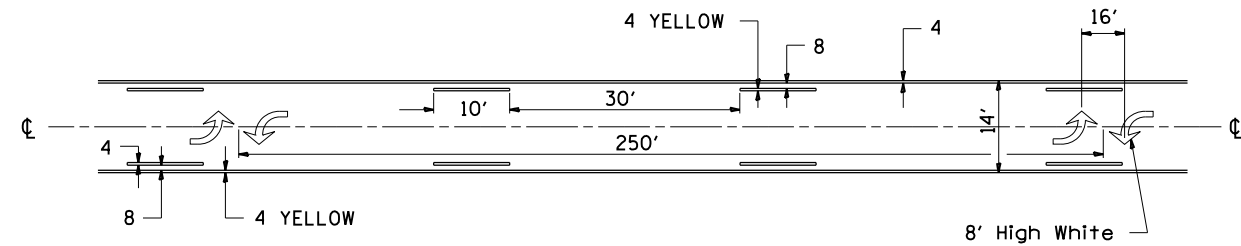


# TYPICAL PAVEMENT MARKINGS

## TYPICAL PAVEMENT MARKING FOR FLUSH MEDIAN AT LEFT TURN LANE

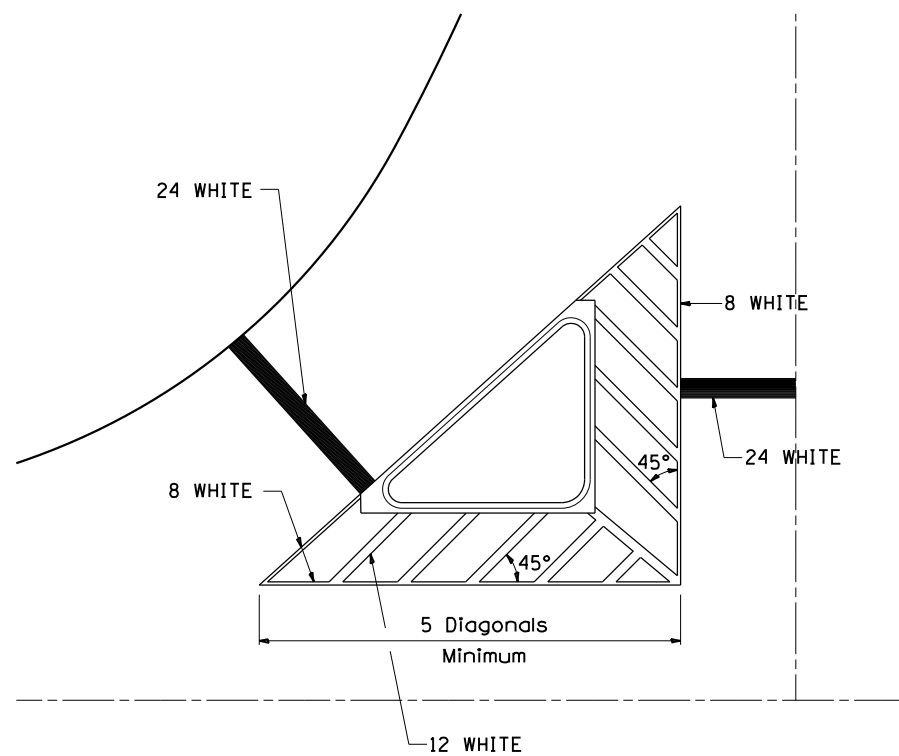


## MEDIAN PAVEMENT MARKING

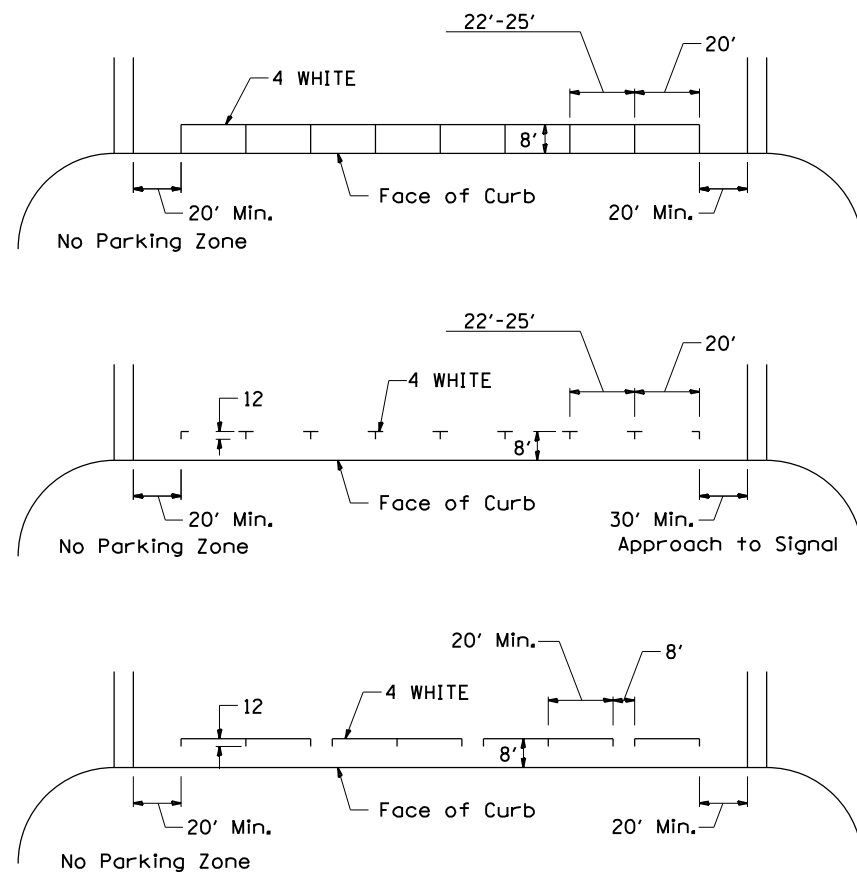


•• ALL DIMENSIONS ARE IN INCHES UNLESS OTHERWISE NOTED.

## TYPICAL ISLAND OFFSET SHOULDER WIDTH

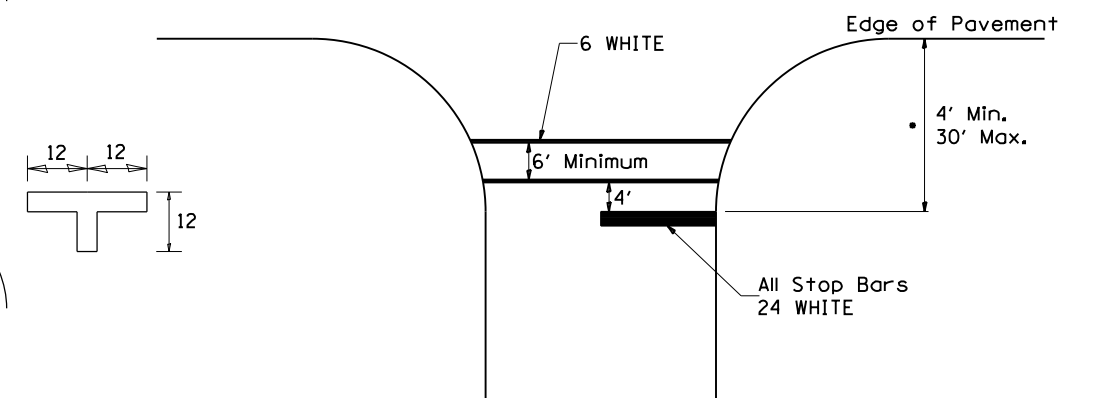


## TYPICAL PARKING SPACING



## STANDARD CROSSWALK MARKING

See Schedules for Locations



• Distance to the nearest edge of the intersecting roadway in the absence of a marked crosswalk.

FILE NAME =	USER NAME = dossdd	DESIGNED -	REVISED - 3-5-12	<b>STATE OF ILLINOIS DEPARTMENT OF TRANSPORTATION</b>	<b>REGION 2 / DISTRICT 2 STANDARD</b>		F.A.P. RTE.	SECTION	COUNTY	TOTAL SHEETS	SHEET NO.	
et:\pw\work\p\dot\dossdd\dms67949\0264750-sh-t-d-tails-(pgs311-327).dgn		DRAWN -	REVISED -		SCALE: _____	SHEET NO. ___ OF ___ SHEETS	STA. _____ TO STA. _____	303	41R	WINNEBAGO	327	318
PLOT SCALE = 48.0000' / in.		CHECKED -	REVISED -				CONTRACT NO. 64750		FED. ROAD DIST. NO. 2 [ILLINOIS] FED. AID PROJECT			
PLOT DATE = Mon Dec 17 16:33:09 2012		DATE -	REVISED -									