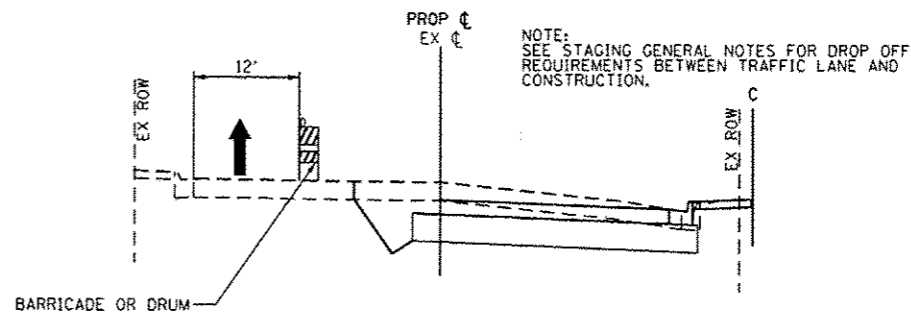


2013 STAGE 1 TYPICAL SECTION  
STA 397+00 TO STA 402+50



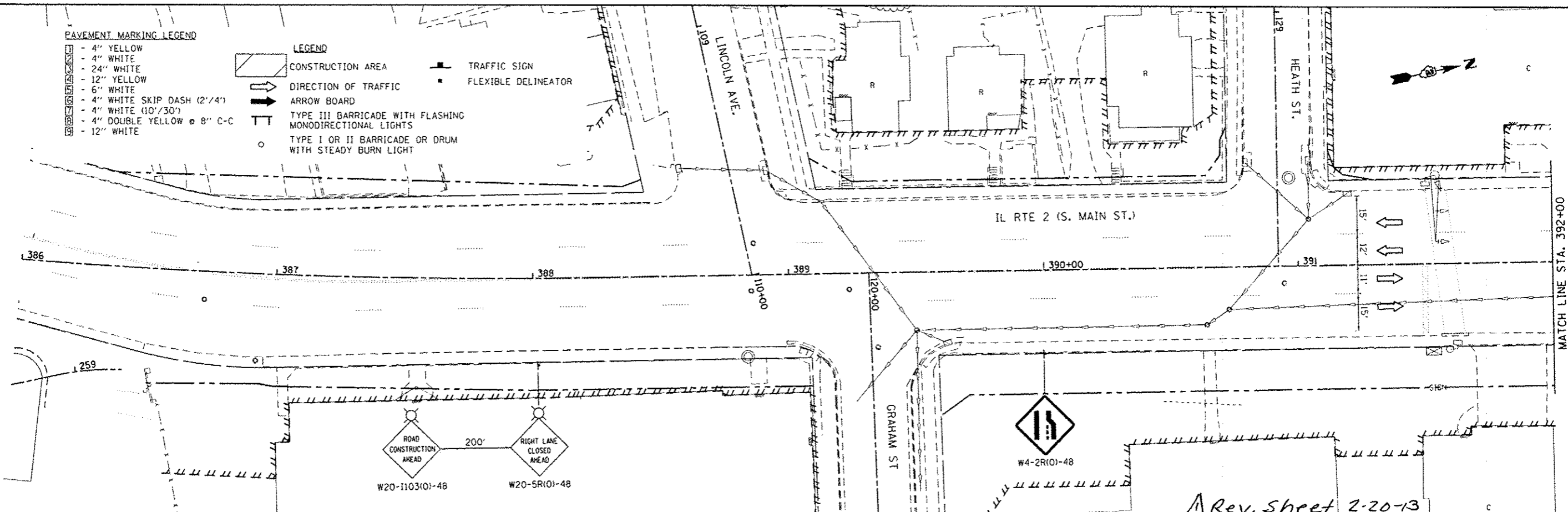
2013 STAGE 1 TYPICAL SECTION  
STA 402+50 TO STA 436+13

PAVEMENT MARKING LEGEND

- 4" YELLOW
- 4" WHITE
- 24" WHITE
- 12" YELLOW
- 6" WHITE
- 4" WHITE SKIP DASH (2"/4')
- 4" WHITE (10'/30')
- 4" DOUBLE YELLOW @ 8" C-C
- 12" WHITE

LEGEND

- CONSTRUCTION AREA
- DIRECTION OF TRAFFIC
- ARROW BOARD
- TYPE III BARRICADE WITH FLASHING MONODIRECTIONAL LIGHTS
- TYPE I OR II BARRICADE OR DRUM WITH STEADY BURN LIGHT
- TRAFFIC SIGN
- FLEXIBLE DELINEATOR



FILE NAME :	USER NAME : goffjl	DESIGNED -	REVISED -
g:\pwork\p\ridot\goffjl\00331607\02640	goffjl-000-2013 stage 1-396.dgn	DRAWN -	REVISED -
	PLOT SCALE = 40.0000 / in.	CHECKED -	REVISED -
	PLOT DATE = Tue Feb 19 13:03:58 2013	DATE -	REVISED -

STATE OF ILLINOIS  
DEPARTMENT OF TRANSPORTATION

MAINTENANCE OF TRAFFIC  
IL RTE 2 2013 STAGE 1

SCALE: 1" = 20' SHEET NO. OF SHEETS STA. 386+00 TO STA. 392+00

F.A.P. RTE.	SECTION	COUNTY	TOTAL SHEETS	SHEET NO.
742	(32,33) R-1	WINNEBAGO	705	188
CONTRACT NO. 64821			ILLINOIS FED. AID PROJECT	

Rev. Sheet 2-20-13