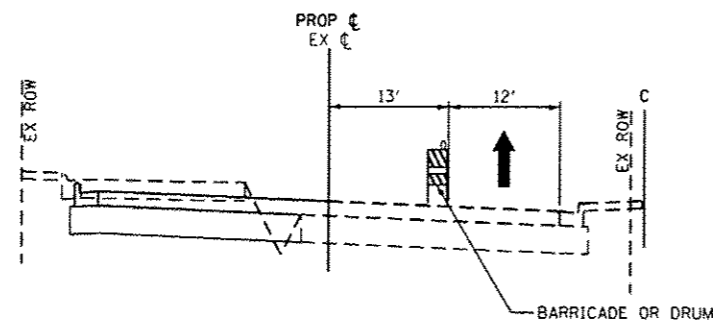


STA 397+00 TO STA 402+50



STA 402+50 TO STA 436+13

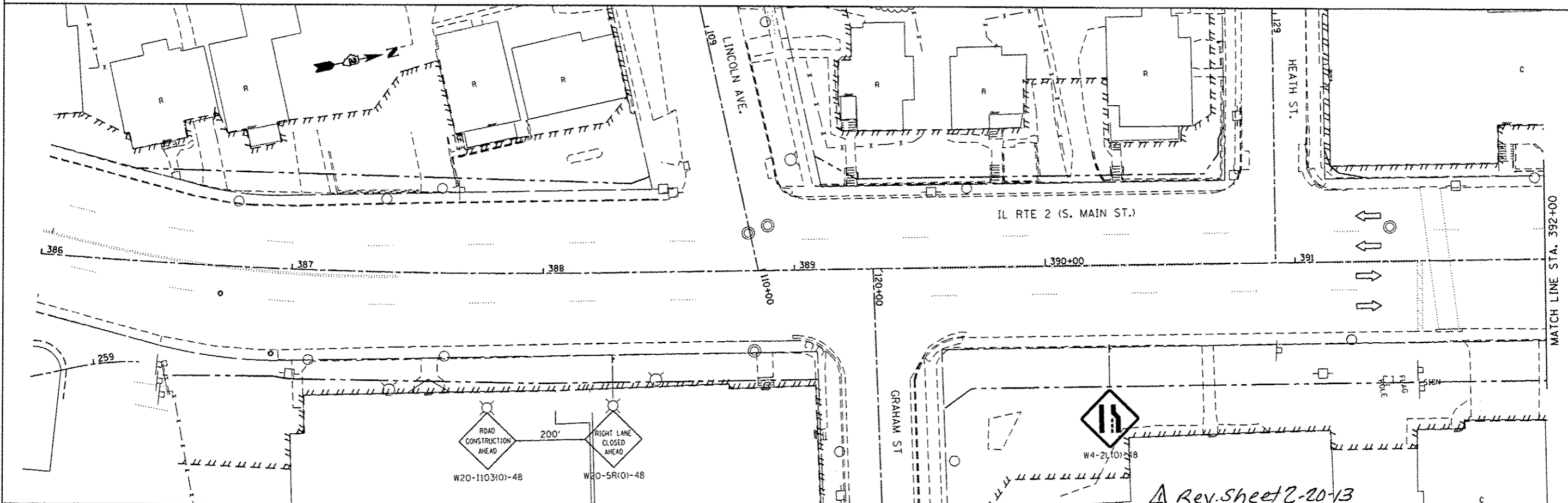
NOTE:  
SEE STAGING GENERAL NOTES FOR DROP OFF  
REQUIREMENTS BETWEEN TRAFFIC LANE AND  
CONSTRUCTION.

PAVEMENT MARKING LEGEND

- 4" YELLOW
- 4" WHITE
- 24" WHITE
- 12" YELLOW
- 4" DOUBLE YELLOW @ 1' C-C
- 8" WHITE SKIP DASH (2'/4')
- 4" WHITE (10'/30')
- 4" DOUBLE YELLOW @ 8" C-C
- 12" WHITE
- 8" WHITE
- 8" WHITE SKIP DASH (2'/6')

LEGEND

- CONSTRUCTION AREA
- DIRECTION OF TRAFFIC
- ARROW BOARD
- TYPE III BARRICADE WITH FLASHING MONODIRECTIONAL LIGHTS
- TYPE I OR II BARRICADE OR DRUM WITH STEADY BURN LIGHT
- TRAFFIC SIGN
- FLEXIBLE DELINEATOR



FILE NAME : c:\pwork\pwork\dot\goffj\1\0031687\02648	USER NAME : goffj	DESIGNED - -	REVISED - -
PLT SCALE : 48.0000 / in.	DATE : Tue Feb 19 13:06:24 2013	DRAWN - -	REVISED - -
		CHECKED - -	REVISED - -
		DATE - -	REVISED - -

STATE OF ILLINOIS  
DEPARTMENT OF TRANSPORTATION

MAINTENANCE OF TRAFFIC  
IL RTE 2 2013 STAGE 2  
SCALE: 1" = 20' SHEET NO. OF SHEETS STA. 386+00 TO STA. 392+00

F.A.P. RTE. 742	SECTION (32,33) R-1	COUNTY WINNEBAGO	TOTAL SHEETS 705	SHEET NO. 200
				CONTRACT NO. 64821
ILLINOIS FED. AID PROJECT				

Rev. Sheet 2-20-13