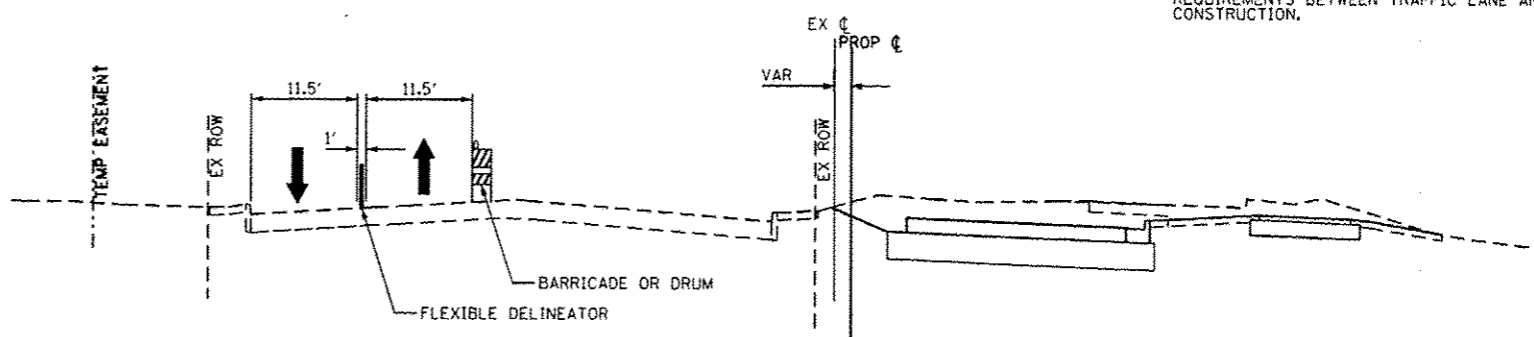


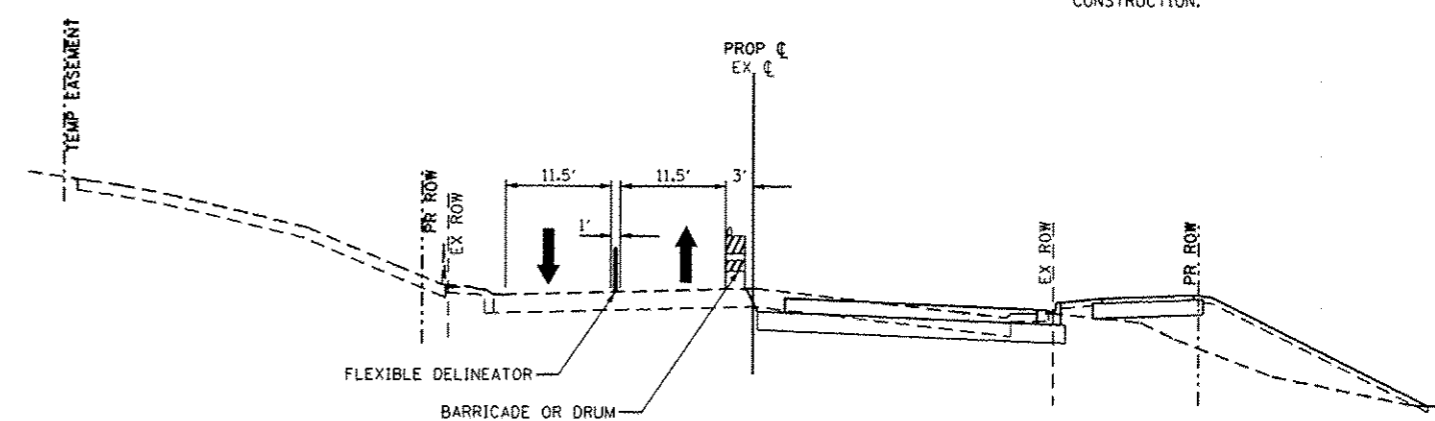
STA 349+89 TO STA 370+00

NOTE:
SEE STAGING GENERAL NOTES FOR DROP OFF
REQUIREMENTS BETWEEN TRAFFIC LANE AND
CONSTRUCTION.



STA 370+00 TO STA 385+00

NOTE:
SEE STAGING GENERAL NOTES FOR DROP OFF
REQUIREMENTS BETWEEN TRAFFIC LANE AND
CONSTRUCTION.



STA 385+00 TO STA 397+50

NOTE:
SEE STAGING GENERAL NOTES FOR DROP OFF
REQUIREMENTS BETWEEN TRAFFIC LANE AND
CONSTRUCTION.

Rev. Sheet 2-20-13

| | | | |
|--|-------------------------------------|------------|-----------|
| FILE NAME : | USER NAME : goffjl | DESIGNED - | REVISED - |
| c:\pvc\work\pvidot\goffjl\08331687\02648 | 1-ahz-047_2014 stage 1-Note-Typ.dgn | DRAWN - | REVISED - |
| PLOT SCALE : 10.0000' / in. | CHECKED - | REVISED - | REVISED - |
| PLOT DATE : Tue Feb 19 13:08:46 2013 | DATE - | REVISED - | REVISED - |

STATE OF ILLINOIS
DEPARTMENT OF TRANSPORTATION

| | | | | | | |
|----------------------------|--|---------------------|--------------|---------------------------|--------------|-----------|
| MAINTENANCE OF TRAFFIC | | F.A.P. RTE. | SECTION | COUNTY | TOTAL SHEETS | SHEET NO. |
| 2014 STAGE 1 GENERAL NOTES | | 742 | (32, 33) R-1 | WINNEBAGO | 705 | 229 |
| SCALE: | | SHEET NO. OF SHEETS | | STA. | TO STA. | |
| | | | | ILLINOIS FED. AID PROJECT | | |
| | | | | CONTRACT NO. 64821 | | |