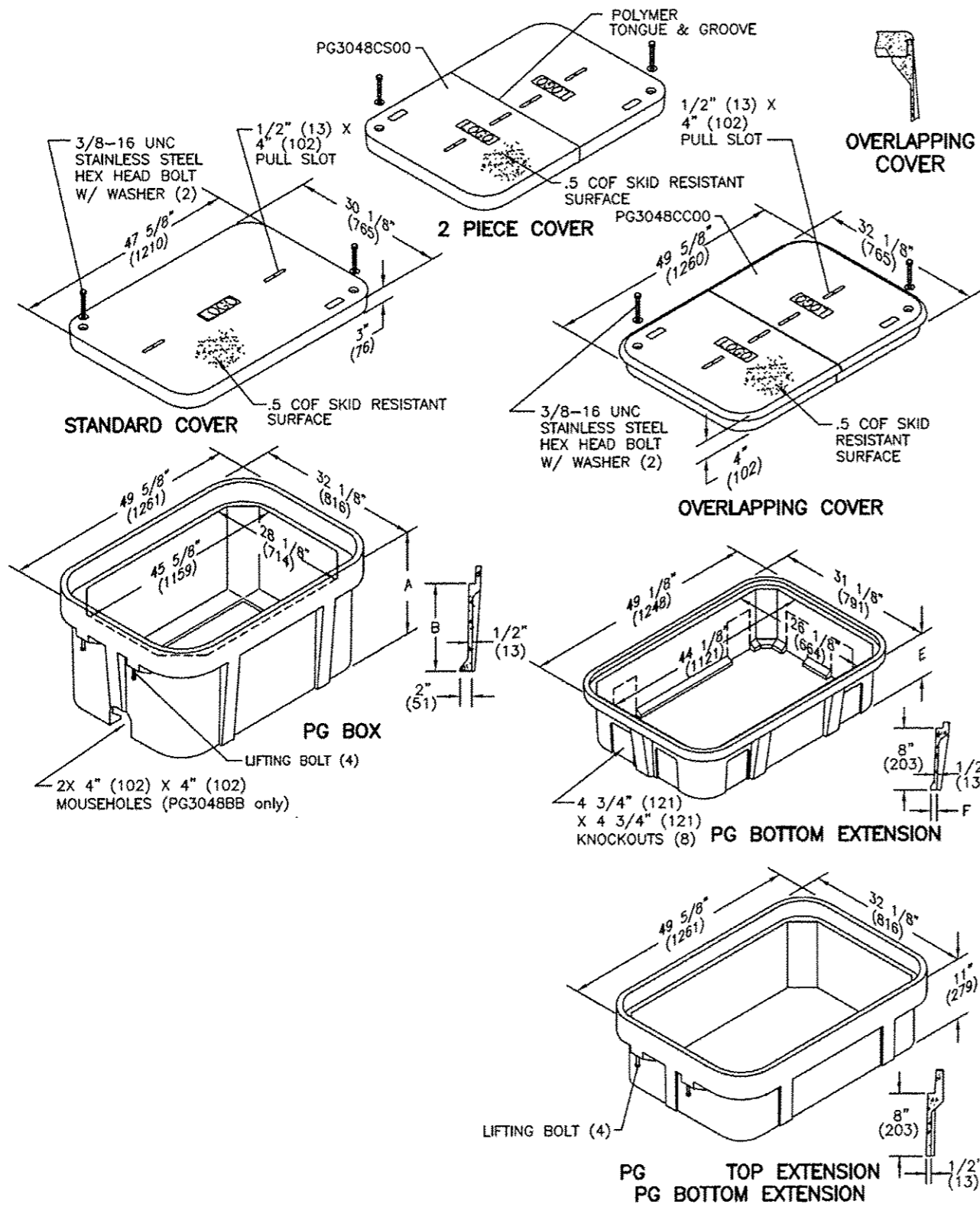


SPECIFICATIONS/DATA

30" x 48" PG Style (Stackable) Assembly



SPECIFICATIONS/DATA

30" x 48" PG Style (Stackable) Assembly

Covers (Blank unless logo is specified)

DESCRIPTION	PART NO.	WEIGHT #	DESIGN/TEST LOAD	ANSI TIER*
W/2 Bolts	PG3048CA00	159 (72.1 kg)	8,000 / 12,000	8
Gasketed w/2 Bolts	PG3048CG00	159 (72.1 kg)	8,000 / 12,000	8
No Bolts	PG3048WA00	159 (72.1 kg)	8,000 / 12,000	8
Heavy Duty w/2 Bolts	PG3048HA00	206 (93.4 kg)	15,000 / 22,500	15
Gasketed Heavy Duty w/2 Bolts	PG3048HG00	206 (93.4 kg)	15,000 / 22,500	15
Extra Heavy Duty w/2 Bolts	PG3048HE00	220 (99.7 kg)	22,500 / 33,750	22
2-piece w/2 Bolts	PG3048CS00	181 (82.1 kg)	8,000 / 12,000	8
Heavy Duty 2-piece w/2 Bolts	PG3048HS00	206 (93.4 kg)	15,000 / 22,500	15
2-piece Overlapping	PG3048CC00	248 (112.0 kg)	8,000 / 12,000	8
Heavy Duty 2-piece Overlapping	PG3048HC00	248 (112.0 kg)	15,000 / 22,500	15

SEE NOTE 1
 * Gasketed covers and bolt grommets must be used with a gasketed box. Gaskets reduce the inflow of fluids but do not make the enclosure water tight.

PG Boxes (Stackable with self-aligning, replaceable EZ-Nut) *24" & 36" deep boxes must be used as bottom of any stack

DESCRIPTION	PART NO.	WEIGHT #	DIMENSION A	DIMENSION B	DESIGN/TEST LOAD #	ANSI TIER*
Open Bottom	PG3048BA18	185 (83.9 kg)	18" (457 mm)	15" (381 mm)	22,500 / 33,750	22
	PG3048BA24	236 (107.0 kg)	24" (609 mm)	21" (533 mm)	22,500 / 33,750	22
	PG3048BA36	343 (155.6 kg)	36" (914 mm)	33" (838 mm)	22,500 / 33,750	22
Open Bottom w/ Gasket	PG3048BG18	185 (83.9 kg)	18" (457 mm)	15" (381 mm)	22,500 / 33,750	22
	PG3048BG24	236 (107.0 kg)	24" (609 mm)	21" (533 mm)	22,500 / 33,750	22
	PG3048BG36	343 (155.6 kg)	36" (914 mm)	33" (838 mm)	22,500 / 33,750	22
Open Bottom w/ 2 Mouseholes	PG3048BB18	185 (83.9 kg)	18" (457 mm)	15" (381 mm)	22,500 / 33,750	22
	PG3048BB24	236 (107.0 kg)	24" (610 mm)	21" (533 mm)	22,500 / 33,750	22
	PG3048BB36	343 (155.6 kg)	36" (914 mm)	33" (838 mm)	22,500 / 33,750	22
Solid Bottom	PG3048DA18	220 (99.8 kg)	18 1/2" (470 mm)	15" (381 mm)	22,500 / 33,750	22
	PG3048DA24	287 (130.2 kg)	24 1/2" (622 mm)	21" (533 mm)	22,500 / 33,750	22
	PG3048DA36	394 (178.7 kg)	36 1/2" (927 mm)	33" (838 mm)	22,500 / 33,750	22
Solid Bottom w/ Gasket	PG3048DG18	220 (99.8 kg)	18 1/2" (470 mm)	15" (381 mm)	22,500 / 33,750	22
	PG3048DG24	287 (130.2 kg)	24 1/2" (622 mm)	21" (533 mm)	22,500 / 33,750	22
	PG3048DG36	394 (178.7 kg)	36 1/2" (927 mm)	33" (838 mm)	22,500 / 33,750	22

NOTE:
 1. OR APPROVED EQUAL

Top Extension (For use on top of PG boxes of any depth)

DESCRIPTION	PART NO.	WEIGHT #	DESIGN/TEST LOAD #	ANSI TIER*
Open Bottom*	PG3048EA11	100 (45.4 kg)	22,500 / 33,750	22

* In addition, this extension can be used as a bottom extension for 18" deep PG boxes.

Bottom Extensions (For use under 18" deep PG style box only, one per box)

DESCRIPTION	PART NO.	WEIGHT #	DIMENSION E	DIMENSION F	DESIGN/TEST LOAD #	ANSI TIER*
Open Bottom	PG3048EA08	102 (46.3 kg)	8 3/4" (222 mm)	1" (25 mm)	22,500 / 33,750	22
Solid Bottom	PG3048RA08	151 (68.0 kg)	9 1/4" (235 mm)	N/A	22,500 / 33,750	22

Dimensions & weights in parentheses are metric equivalent.
 * Loadings comply with ANSI/SCTE 77

HANDHOLES 30"X48" PG STYLE (STACKABLE) ASSEMBLY

CMT CRAWFORD, MURPHY & TILLY, INC. CONSULTING ENGINEERS License No. 181-000813	MODEL NAME = Detail FILE NAME = D:\64821-1101\pgs\21.dgn PLOT SCALE = 48,0018 1/1 in. PLOT DATE = 2/22/2013 - 3:45:59 PM	DESIGNED - JWD DRAWN - JWD CHECKED - AB DATE - 11/02/2012	REVISED - REVISED - REVISED - REVISED -	STATE OF ILLINOIS DEPARTMENT OF TRANSPORTATION	ROADWAY LIGHTING DETAIL HANDHOLE, COMPOSITE CONCRETE, TYPE 2	F.A.P. RTE. = 742 SECTION = (32, 33) R-1 COUNTY = WINNEBAGO TOTAL SHEETS = 705 SHEET NO. = 507 CONTRACT NO. = 64821	ILLINOIS FED. AID PROJECT	
	SCALE: N/A					SHEET 21 OF 32 SHEETS STA. TO STA.		
	ROADWAY LIGHTING DETAIL					HANDHOLE, COMPOSITE CONCRETE, TYPE 2		
	STATE OF ILLINOIS					DEPARTMENT OF TRANSPORTATION		

DIRECTORY: L:\CADD\1101\64821\Drawings\21.dwg
 USER NAME: Jason Dore