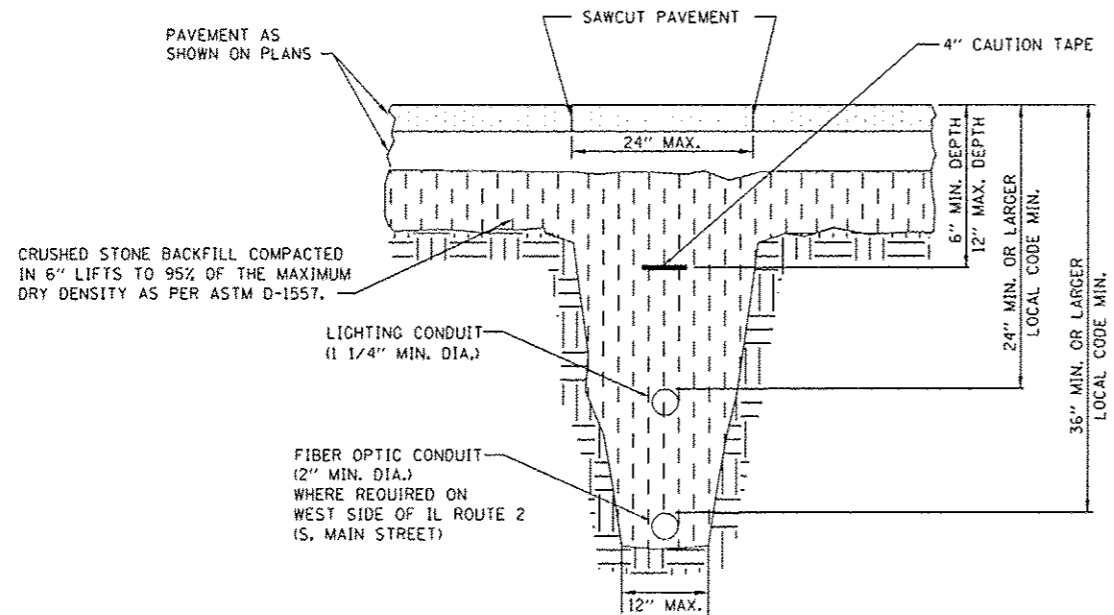
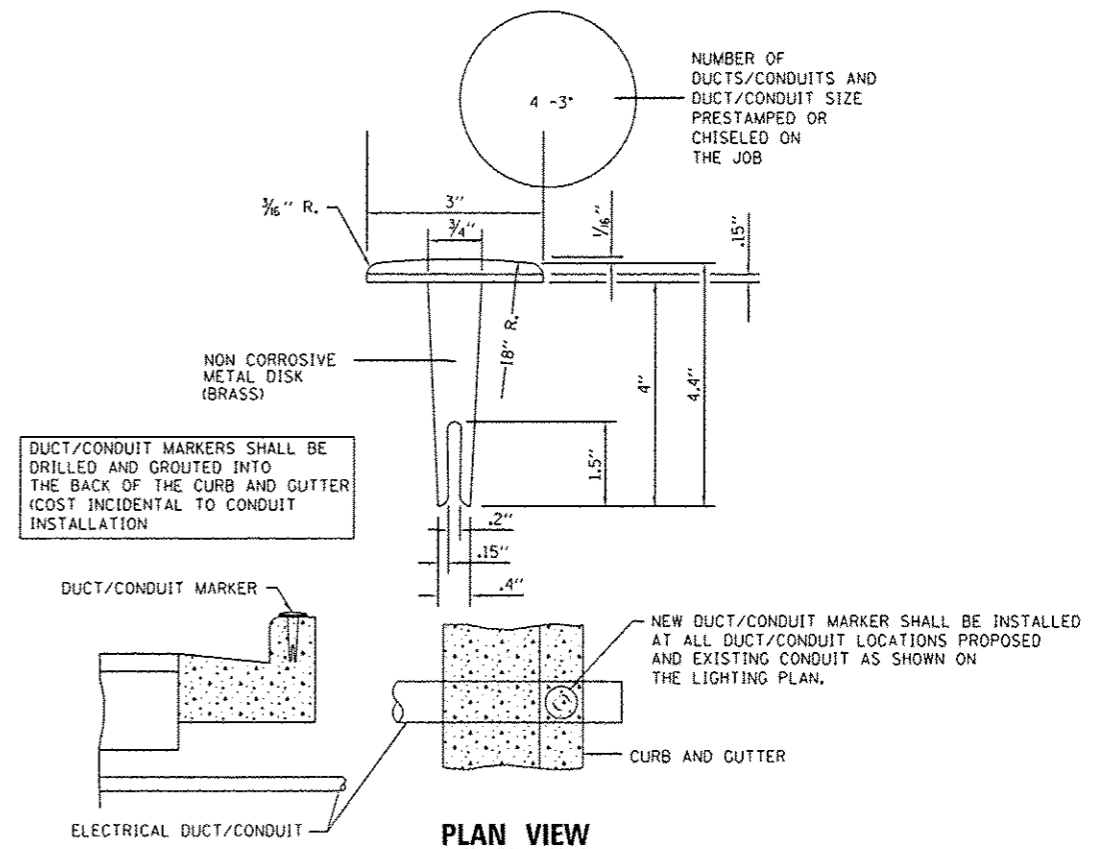


PHOTOCELL MOUNTING DETAIL

NOTE:
PHOTOCELL SHALL BE FACED TOWARDS NORTH.



FIBER OPTICS AND STREET LIGHTING CONDUIT TRENCH



DUCT MARKER DETAIL

NOT TO SCALE

DIRECTORY: I:\WORK\0501108\Drawings\0501108.dwg
 USER: JTD
 DATE: 11/02/2012

CMT
 CRAWFORD, MURPHY & TILLY, INC.
 CONSULTING ENGINEERS
 License No. 164-002813

MODEL NAME	0501108.dwg	DESIGNED	JWD	REVISED	-
FILE NAME	D:\0501108\Drawings\0501108.dwg	DRAWN	JWD	REVISED	-
PLOT SCALE	1/8" = 1' - 0"	CHECKED	AB	REVISED	-
PLOT DATE	2/22/2013 - 3:46:25 PM	DATE	11/02/2012	REVISED	-

STATE OF ILLINOIS
 DEPARTMENT OF TRANSPORTATION

ROADWAY LIGHTING DETAIL
 CONDUIT TRENCH - DUCT MARKER - PHOTOCELL MOUNTING

SCALE: N/A SHEET 27 OF 32 SHEETS STA. TO STA.

F.A.P. RTE.	SECTION	COUNTY	TOTAL SHEETS	SHEET NO.
742	(32, 33) R-1	WINNEBAGO	705	513
CONTRACT NO.			64821	
ILLINOIS FED. AID PROJECT				