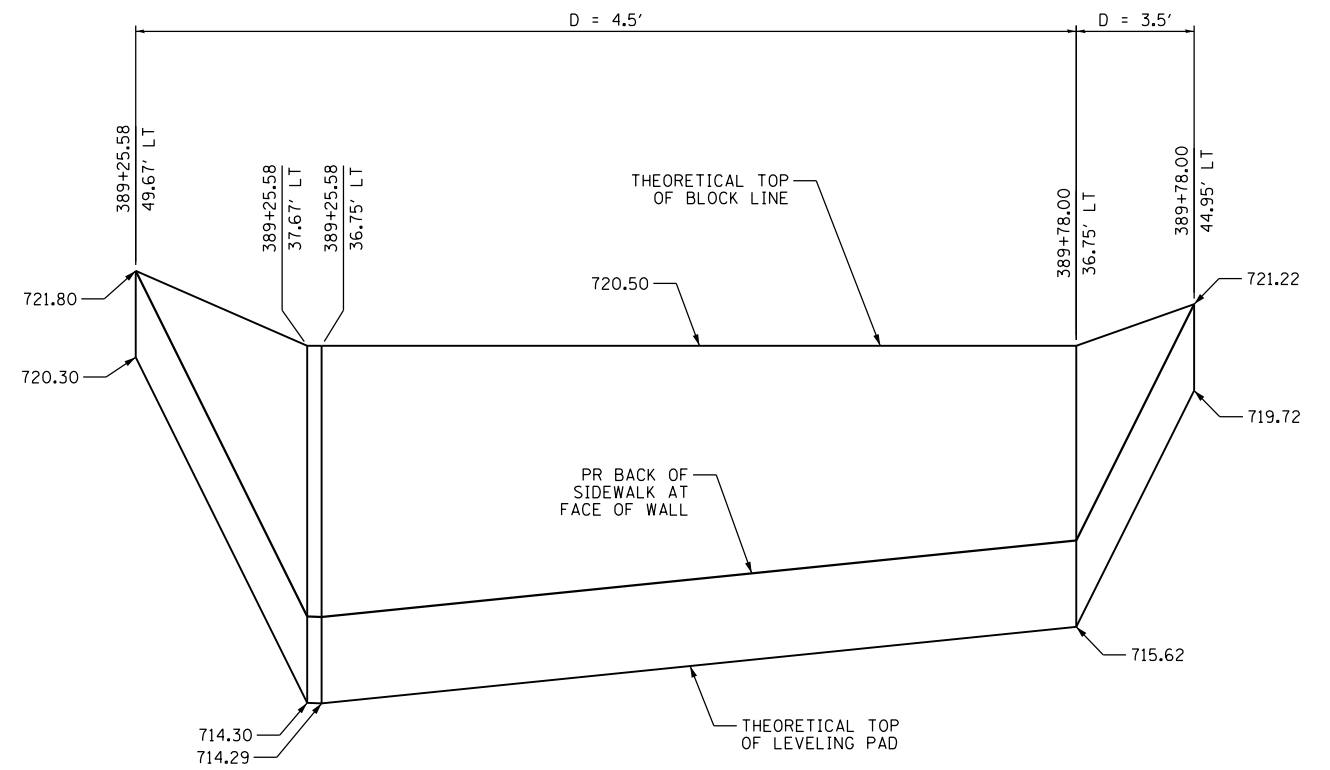
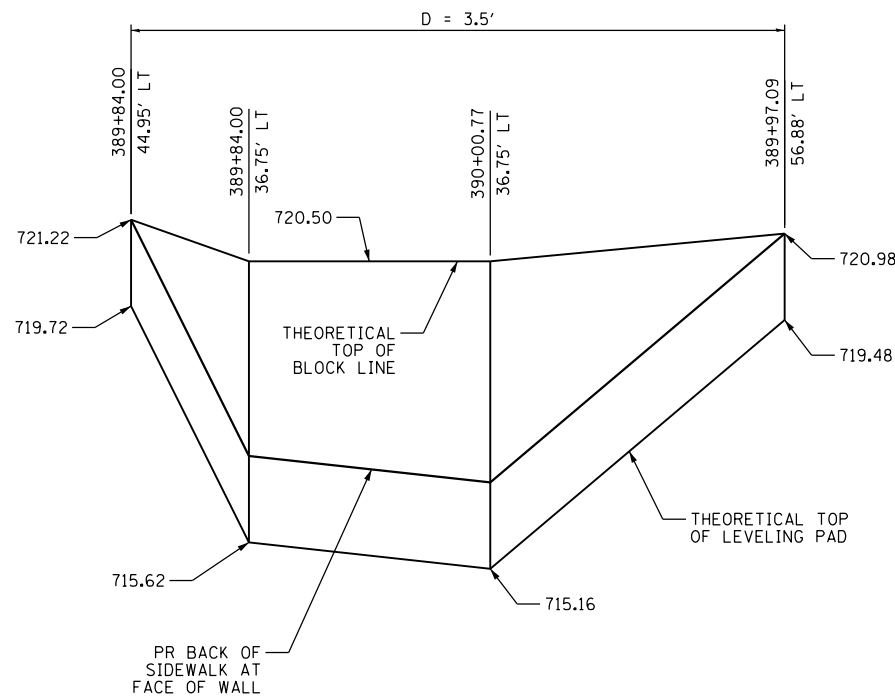


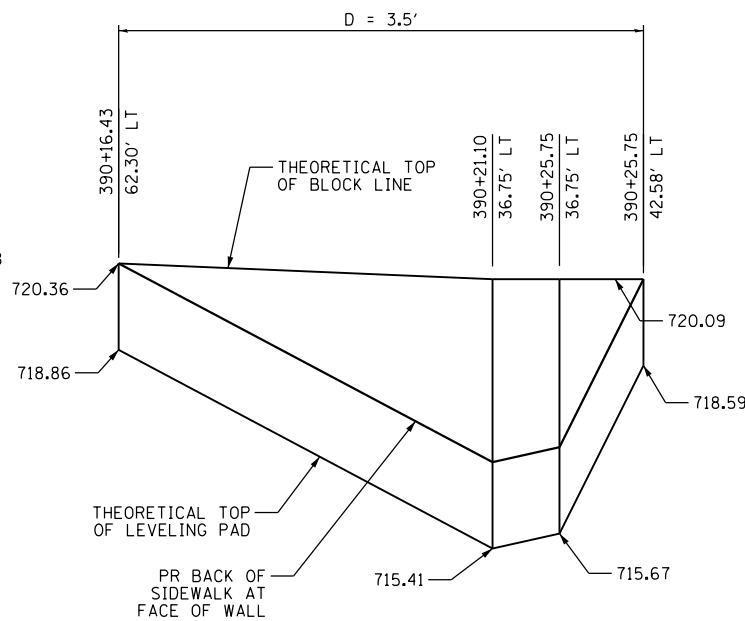
WALL 'G' ELEVATION
SEGMENTAL CONCRETE BLOCK WALL (393 SQ FT)



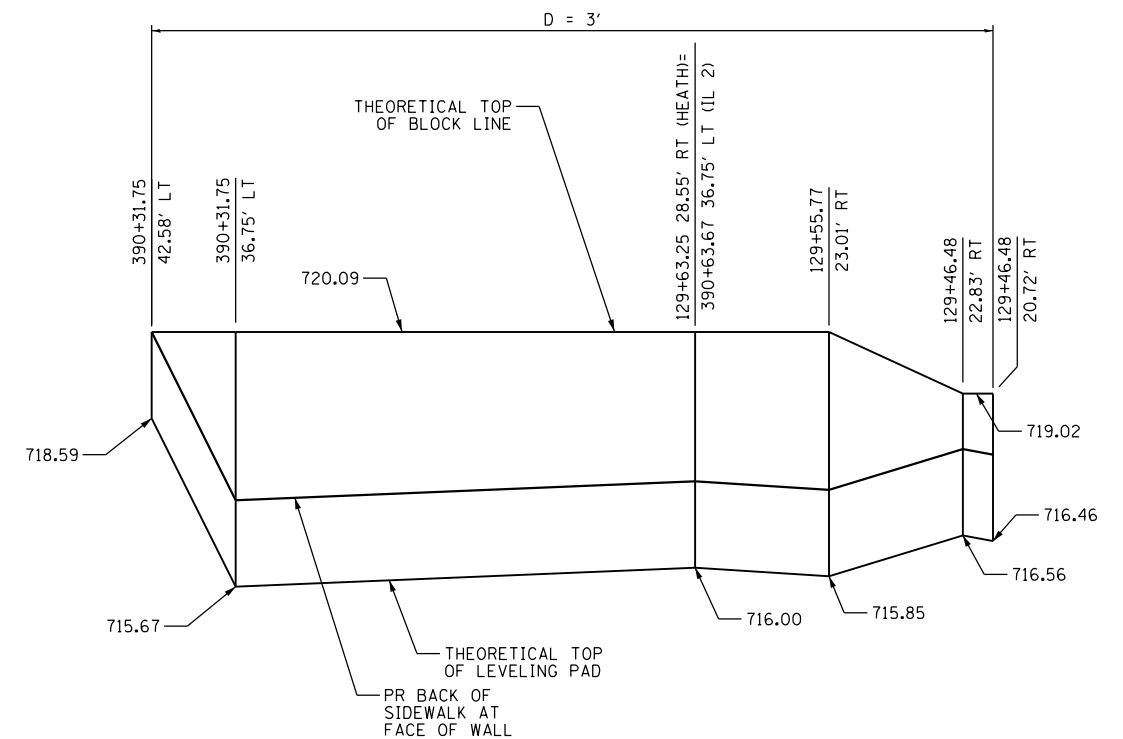
WALL 'H' ELEVATION
SEGMENTAL CONCRETE BLOCK WALL (369 SQ FT)



WALL 'I' ELEVATION
SEGMENTAL CONCRETE BLOCK WALL (182 SQ FT)



WALL 'J' ELEVATION
SEGMENTAL CONCRETE BLOCK WALL (119 SQ FT)



WALL 'K' ELEVATION
SEGMENTAL CONCRETE BLOCK WALL (228 SQ FT)

FILE NAME =	USER NAME = *USER*	DESIGNED -	REVISED -
FILEL		DRAWN -	REVISED -
	PLOT SCALE = *SCALE*	CHECKED -	REVISED -
	PLOT DATE = *DATE*	DATE -	REVISED -

**STATE OF ILLINOIS
DEPARTMENT OF TRANSPORTATION**

SEGMENTAL BLOCK WALL DETAIL	
IL 2 LT, FROM LINCOLN AVE TO HEATH ST (WEST LEG)	
SCALE: NTS	SHEET NO. 4 OF 12 SHEETS
STA.	TO STA.

F.A.P. RTE.	SECTION	COUNTY	TOTAL SHEETS	SHEET NO.
742	(32,33) R-1	WINNEBAGO	705	522
CONTRACT NO. 64821			ILLINOIS FED. AID PROJECT	