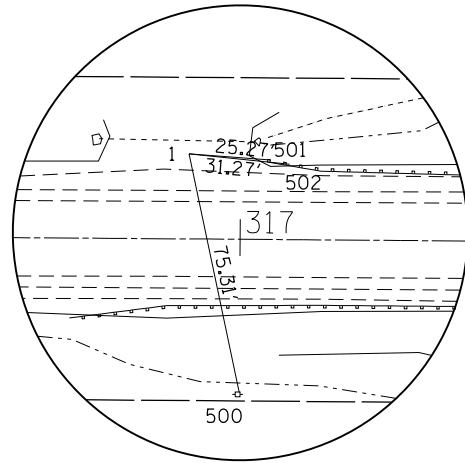
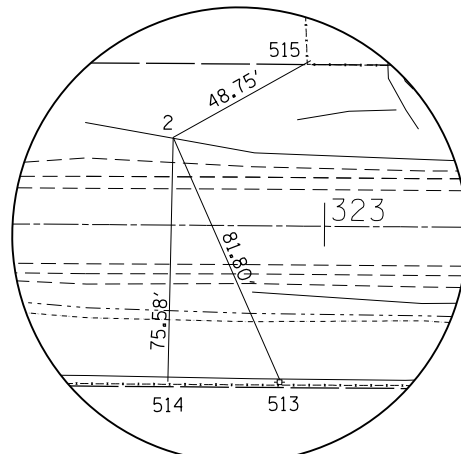


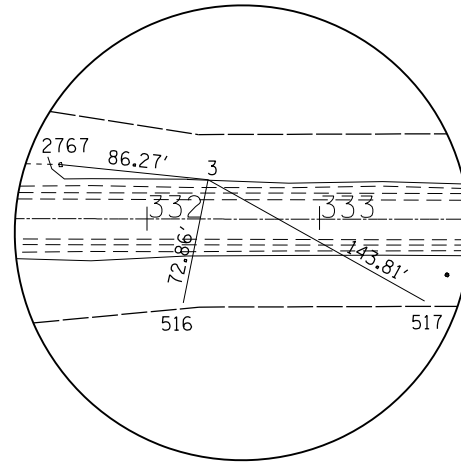
# HORIZONTAL & VERTICAL CONTROL



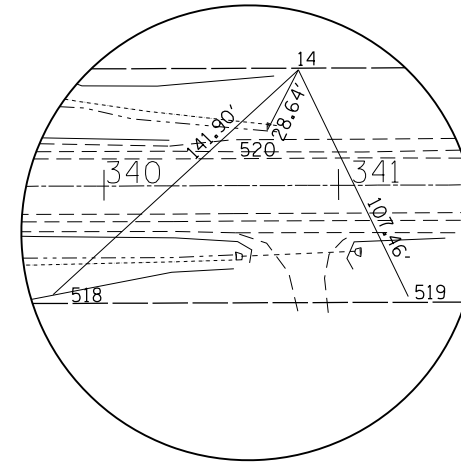
HORIZONTAL CONTROL POINT NO. 1



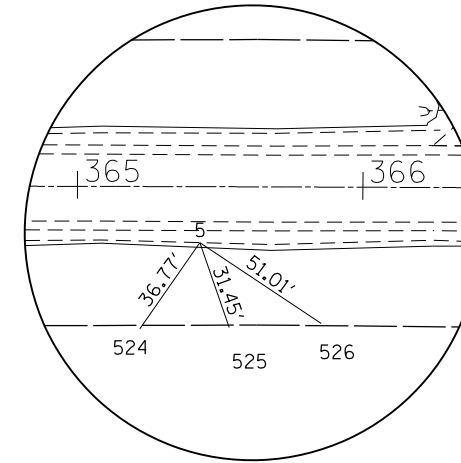
HORIZONTAL CONTROL POINT NO. 2



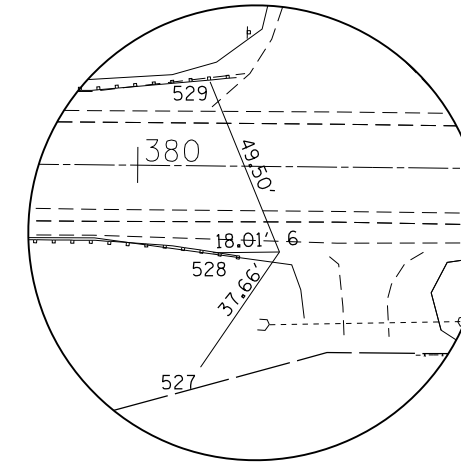
HORIZONTAL CONTROL POINT NO. 3



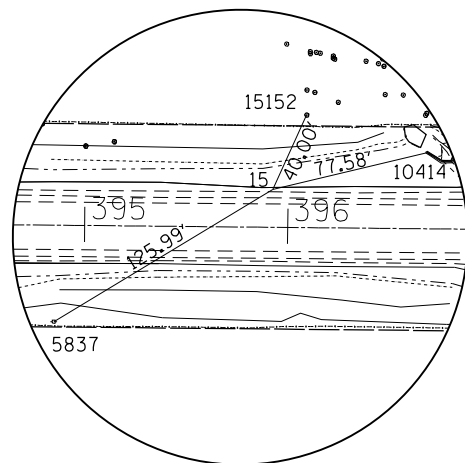
HORIZONTAL CONTROL POINT NO. 14



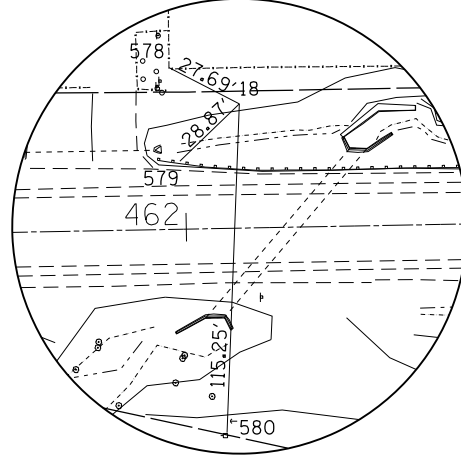
HORIZONTAL CONTROL POINT NO. 5



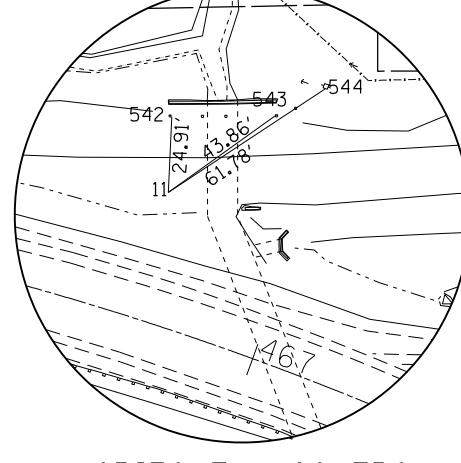
HORIZONTAL CONTROL POINT NO. 6



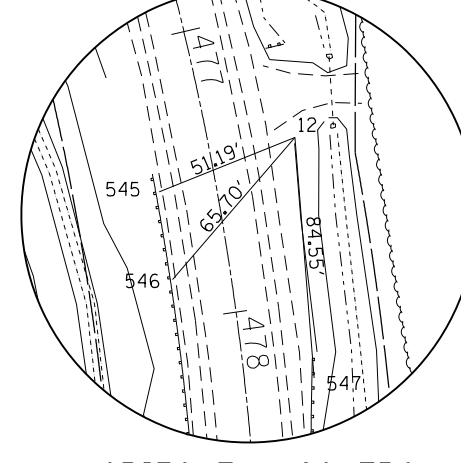
HORIZONTAL CONTROL POINT NO. 15



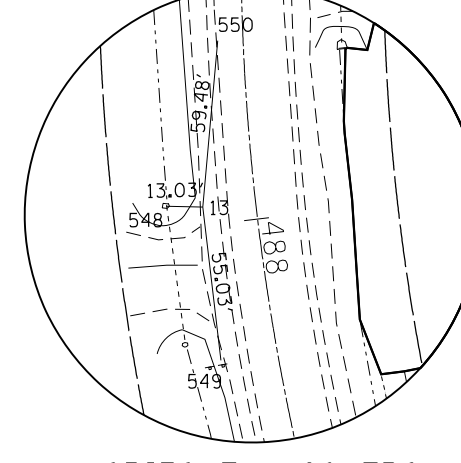
HORIZONTAL CONTROL POINT NO. 18



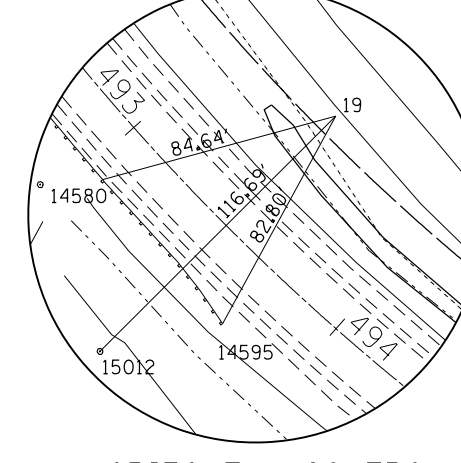
HORIZONTAL CONTROL POINT NO. 11



HORIZONTAL CONTROL POINT NO. 12



HORIZONTAL CONTROL POINT NO. 13



HORIZONTAL CONTROL POINT NO. 19

FILE NAME =	USER NAME = cushmenbw	DESIGNED -	REVISED -	<b>STATE OF ILLINOIS DEPARTMENT OF TRANSPORTATION</b>	<b>HORIZONTAL &amp; VERTICAL CONTROL SHEETS</b>				F.A.S. RTE.	SECTION	COUNTY	TOTAL SHEETS	SHEET NO.			
et:\pw\work\p1dot\cushmenbw\d0169166\0208009-sh1-ATB.dgn		DRAWN -	REVISED -		SCALE:	SHEET	OF	SHEETS	STA.	TO	STA.	226	3T & 3BR-1	HENRY	210	22
		CHECKED -	REVISED -						CONTRACT NO. 64F25							
		DATE -	REVISED -						ILLINOIS FED. AID PROJECT							