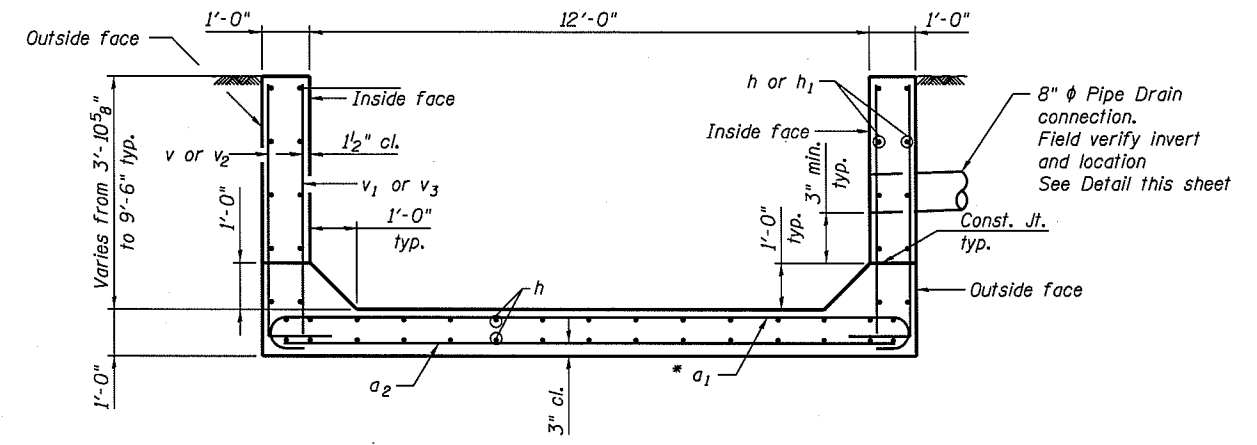
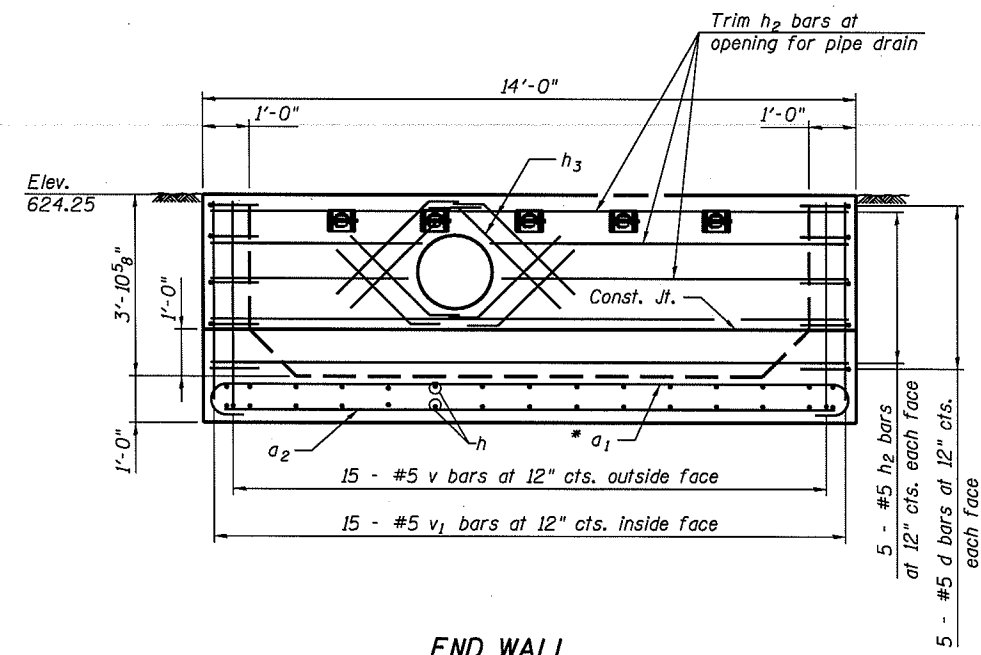


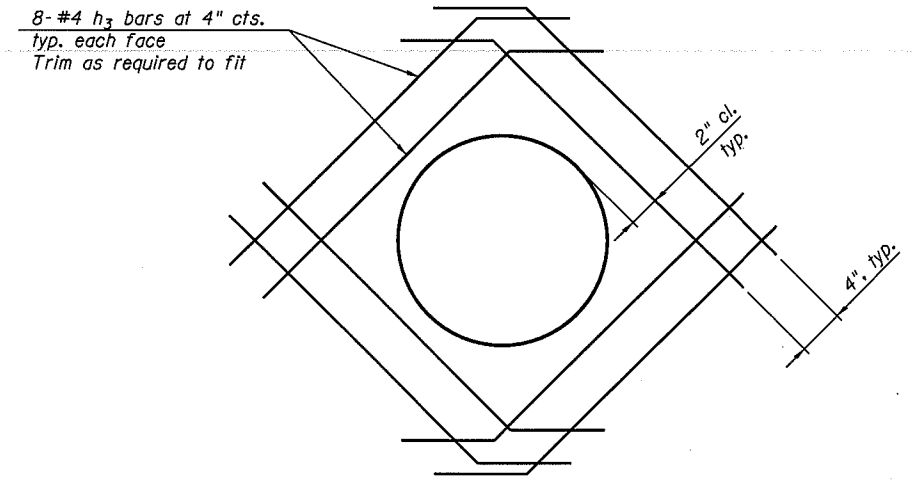
**SECTION B-B
HEADWALL**



SECTION A-A



END WALL



**DETAIL FOR PIPE DRAIN
(Maximum 15" ϕ)**

* Tilt a_1 bars as required to maintain clear cover

\\hrgreen\data\CAD\193220\14\CAD_Sheets\64F25_Details_No 1-1.dgn



USER NAME = STLCO_design-consultant	DESIGNED - KJB	REVISED -
PLLOT SCALE = NTS	CHECKED - DFM	REVISED -
PLLOT DATE = 10/11/2012	DRAWN - KJB	REVISED -
	CHECKED - DFM	REVISED -

**STATE OF ILLINOIS
DEPARTMENT OF TRANSPORTATION**

**DETAILS 1
DROP BOX NO. 1**

SHEET NO. S-2 OF S-3 SHEETS

F.A.S. RTE.	SECTION	COUNTY	TOTAL SHEETS	SHEET NO.
226	(3T&3)BR-1	HENRY	210	64
				CONTRACT NO. 64F25
ILLINOIS FED. AID PROJECT				