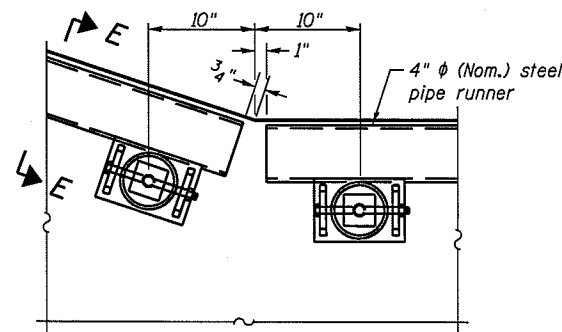
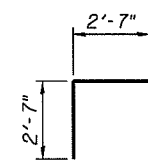


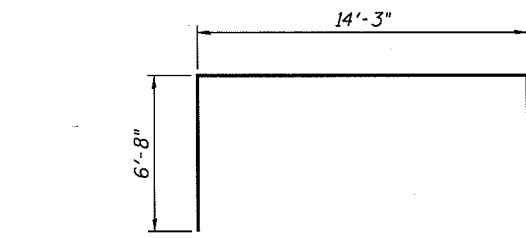
DETAIL A



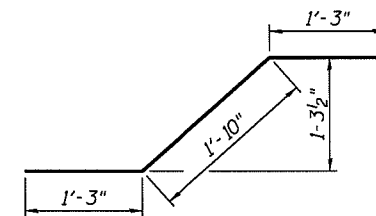
DETAIL B



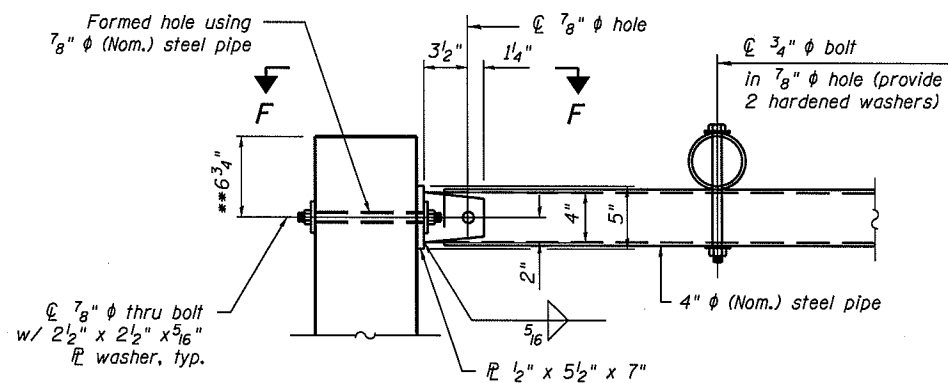
BAR d



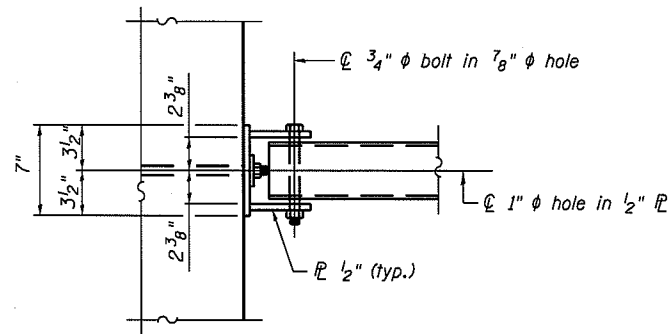
BAR u



BAR g

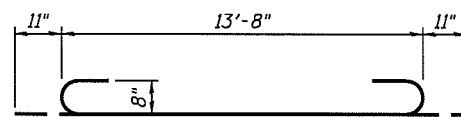


SECTION E-E

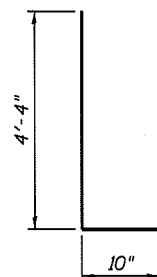


VIEW F-F

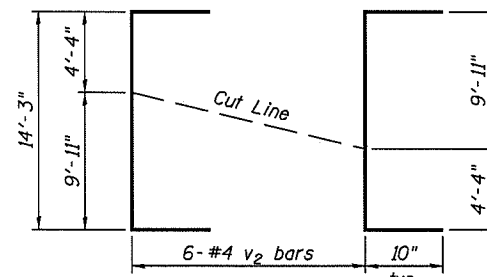
** Measured perpendicular to top of side wall. In addition, formed hole shall be located a minimum of 6" measured horizontally from any vertical joints necessary for construction of the drop box.



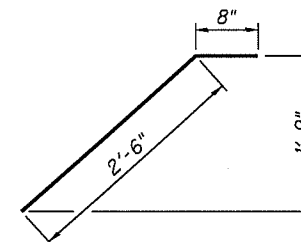
BAR a1



BAR v



BAR v2 CUTTING DIAGRAM



BAR h3

BILL OF MATERIAL
(For Information Only)

| Bar No. | Size | Length | Shape |
|----------------|-------|---------|-------|
| a ₁ | 70 #8 | 15'-6" | └─┘ |
| a ₂ | 52 #5 | 13'-8" | └─┘ |
| d | 10 #5 | 5'-2" | └─┘ |
| f | 4 #6 | 15'-1" | └─┘ |
| f ₁ | 4 #5 | 11'-2" | └─┘ |
| g | 38 #5 | 4'-4" | └─┘ |
| h | 50 #5 | 34'-0" | └─┘ |
| h ₁ | 12 #5 | 21'-4" | └─┘ |
| h ₂ | 10 #5 | 13'-8" | └─┘ |
| h ₃ | 32 #4 | 3'-2" | └─┘ |
| h ₄ | 4 #5 | 22'-0" | └─┘ |
| u | 4 #5 | 27'-7" | └─┘ |
| v | 55 #5 | 5'-2" | └─┘ |
| v ₁ | 43 #5 | 4'-4" | └─┘ |
| v ₂ | 33 #5 | 15'-11" | └─┘ |
| v ₃ | 44 #5 | 14'-3" | └─┘ |

| | | |
|---------------------------|---------|--------|
| Concrete Structures | Cu. Yd. | 36.5 |
| Reinforcement Bars | Pound | 7,800 |
| ** 4" Galv. Steel Pipe | 5 @ | 11'-9" |
| | 5 @ | 22'-2" |
| | 5 @ | 11'-8" |
| ** 3/4" Galv. Steel Bolts | Each | 25 |
| ** Side Assembly | Each | 20 |

* Included in Drop Box, No. 1

** Included in Traversable Pipe Grates with all hardware and steel for Assemblies

H:\rgreen\desks\CAD\193228J14\CAD_Sheets\64F25_Details_No 1-2.dgn



| | | |
|-----------------------------------|----------------|-------------|
| USER NAME = STLCDesign-consultant | DESIGNED = KJB | REVISIONS = |
| PLOT SCALE = NTS | CHECKED = DFM | REVISIONS = |
| PLOT DATE = 10/11/2012 | DRAWN = KJB | REVISIONS = |
| | CHECKED = DFM | REVISIONS = |

STATE OF ILLINOIS
DEPARTMENT OF TRANSPORTATION

DETAILS 2
DROP BOX NO. 1

SHEET NO. 5-3 OF 5-3 SHEETS

| F.A.S. RTE. | SECTION | COUNTY | TOTAL SHEETS | SHEET NO. |
|---------------------------|------------|--------|--------------------|-----------|
| 226 | (3T&3)BR-1 | HENRY | 210 | 95 |
| | | | CONTRACT NO. 64F25 | |
| ILLINOIS FED. AID PROJECT | | | | |