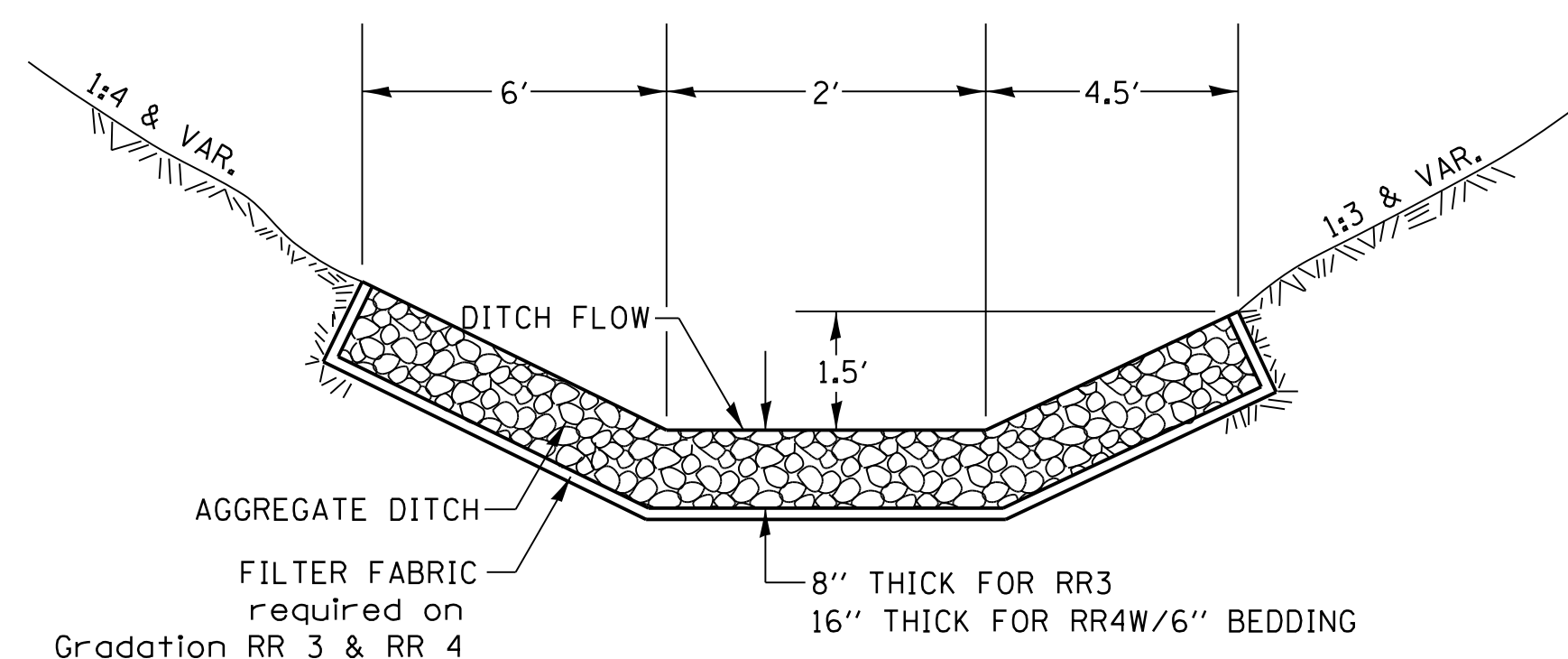


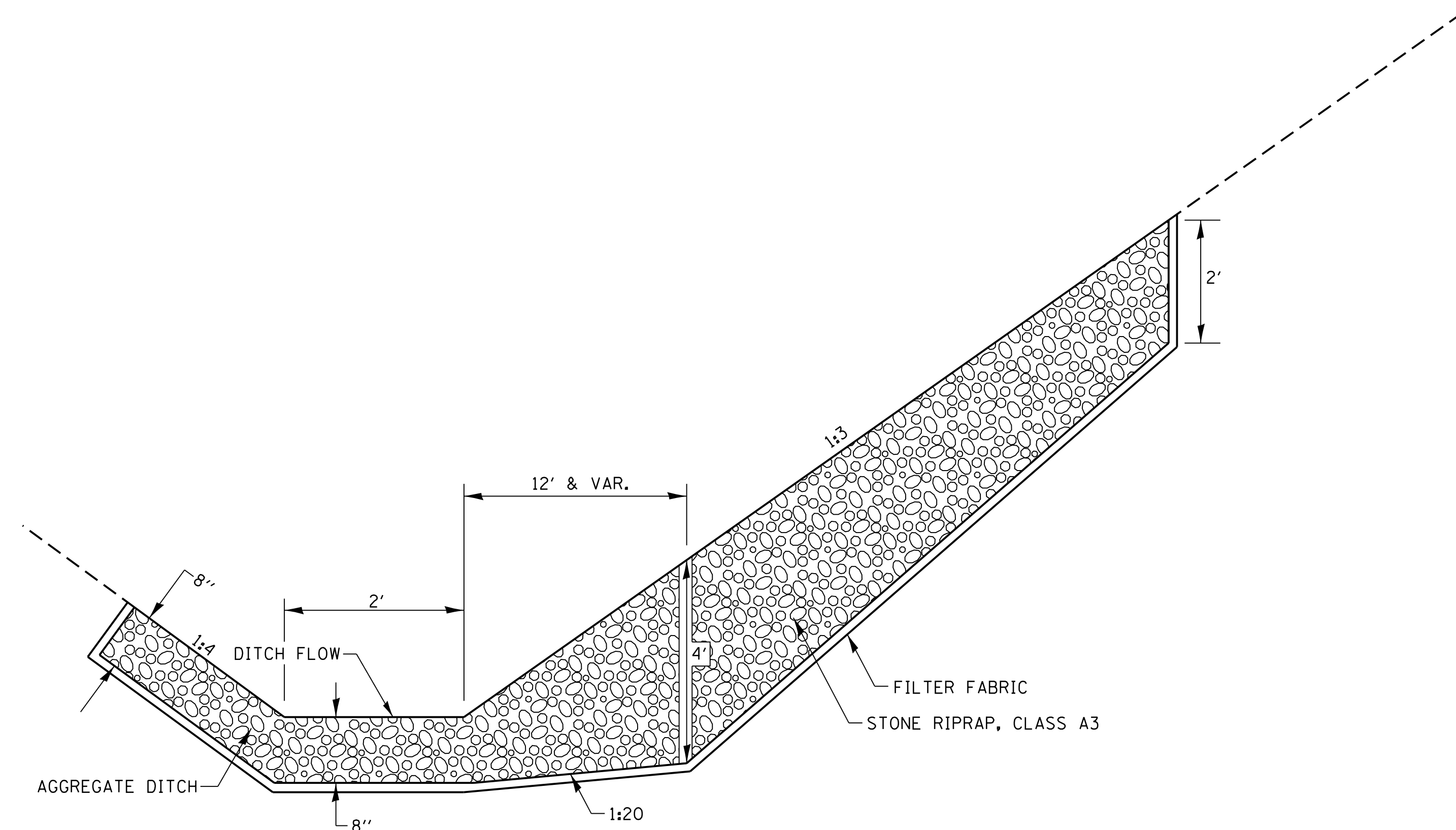
# AGGREGATE DITCH FOR FLEXIBLE DITCH LINING



THIS WORK SHALL BE DONE IN ACCORDANCE WITH SECTION 281. AGGREGATE DITCH WILL BE MEASURED FOR PAYMENT IN PLACE AND THE AREA COMPUTED IN SQUARE YARDS OF ACTUAL SURFACE AREA. AGGREGATE DITCH WILL BE PAID FOR AT THE CONTRACT UNIT PRICE PER SQUARE YARD FOR STONE RIPRAP CLASS A3. THE FILTER FABRIC SHALL BE ACCORDING TO SECTION 282. FILTER FABRIC WILL BE PAID FOR AT THE CONTRACT UNIT PRICE PER SQUARE YARD FOR FILTER FABRIC.

ALL DIMENSIONS ARE IN INCHES UNLESS OTHERWISE NOTED.

# BACKSLOPE STABILITY DRAIN



NOTE: SEE PLAN AND PROFILE SHEETS FOR PLAN LAYOUT

THIS WORK SHALL BE DONE IN ACCORDANCE WITH SECTION 281.

THIS BACKSLOPE STABILITY DRAIN WILL BE PAID FOR AT THE CONTRACT UNIT PRICE PER TON FOR STONE RIPRAP CLASS A3. THE FILTER FABRIC SHALL BE ACCORDING TO SECTION 282. FILTER FABRIC WILL BE PAID FOR AT THE CONTRACT UNIT PRICE PER SQUARE YARD FOR FILTER FABRIC.

ALL DIMENSIONS ARE IN INCHES UNLESS OTHERWISE NOTED.

FILE NAME =	USER NAME = cushmenbw	DESIGNED -	REVISED -
et:\pwork\pwork\cushmenbw\0169166\0208809-shit-details.dgn		DRAWN -	REVISED -
	PLOT SCALE = 20.0000' / in.	CHECKED -	REVISED -
	PLOT DATE = Fri Oct 19 13:13:02 2012	DATE -	REVISED -

STATE OF ILLINOIS  
DEPARTMENT OF TRANSPORTATION

AGGREGATE DITCH  
FOR FLEXIBLE DITCH LINING

SCALE: SHEET OF SHEETS STA. TO STA.

F.A.S. RTE.	SECTION	COUNTY	TOTAL SHEETS	SHEET NO.
226	3T & 3BR-1	HENRY	210	98
				CONTRACT NO. 64F25
ILLINOIS FED. AID PROJECT				