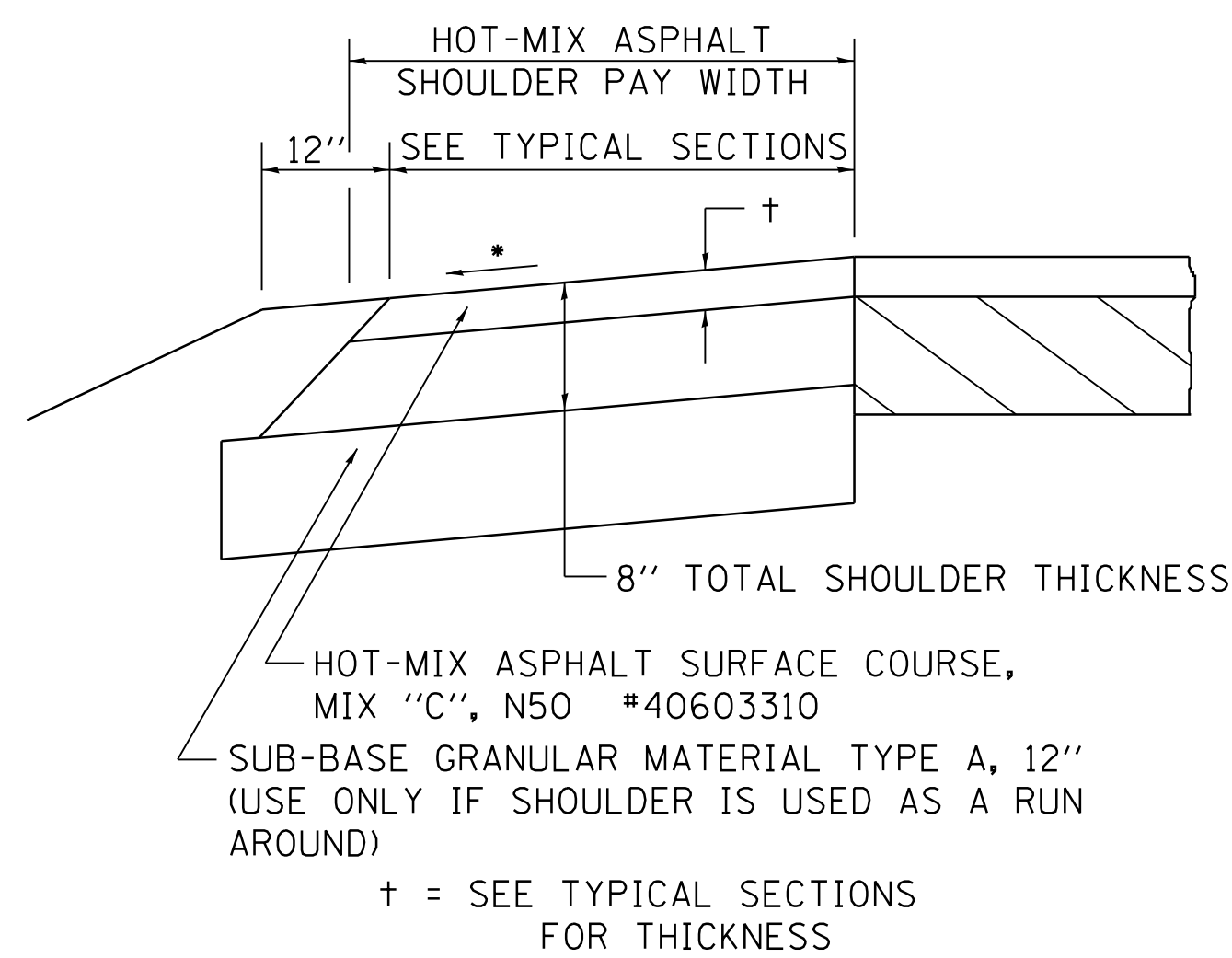


# HOT-MIX ASPHALT SHOULDER



**GENERAL NOTES**

THE HOT-MIX ASPHALT SHOULDER SHALL BE CONSTRUCTED IN ACCORDANCE WITH SECTION 482 EXCEPT THE TOP LIFT SHALL BE HOT-MIX ASPHALT SURFACE COURSE, MIX "C", N50 #40603310. THE WORK WILL BE PAID FOR AT THE CONTRACT UNIT PRICE PER TON FOR HOT-MIX ASPHALT SURFACE COURSE, MIX "C", N50 #40603310 AND SQUARE YARD FOR HOT-MIX ASPHALT SHOULDERS OF THE THICKNESS SPECIFIED.

USE HOT-MIX ASPHALT SURFACE COURSE, MIX "C", N50 #40603310. WHEN RESURFACING EXISTING HOT-MIX ASPHALT SHOULDERS. THE THICKNESS IS SHOWN ON THE TYPICAL SECTIONS. THIS WORK WILL BE PAID FOR AT THE CONTRACT UNIT PRICE PER TON FOR HOT-MIX ASPHALT SURFACE COURSE, MIX "C", N50 #40603310.

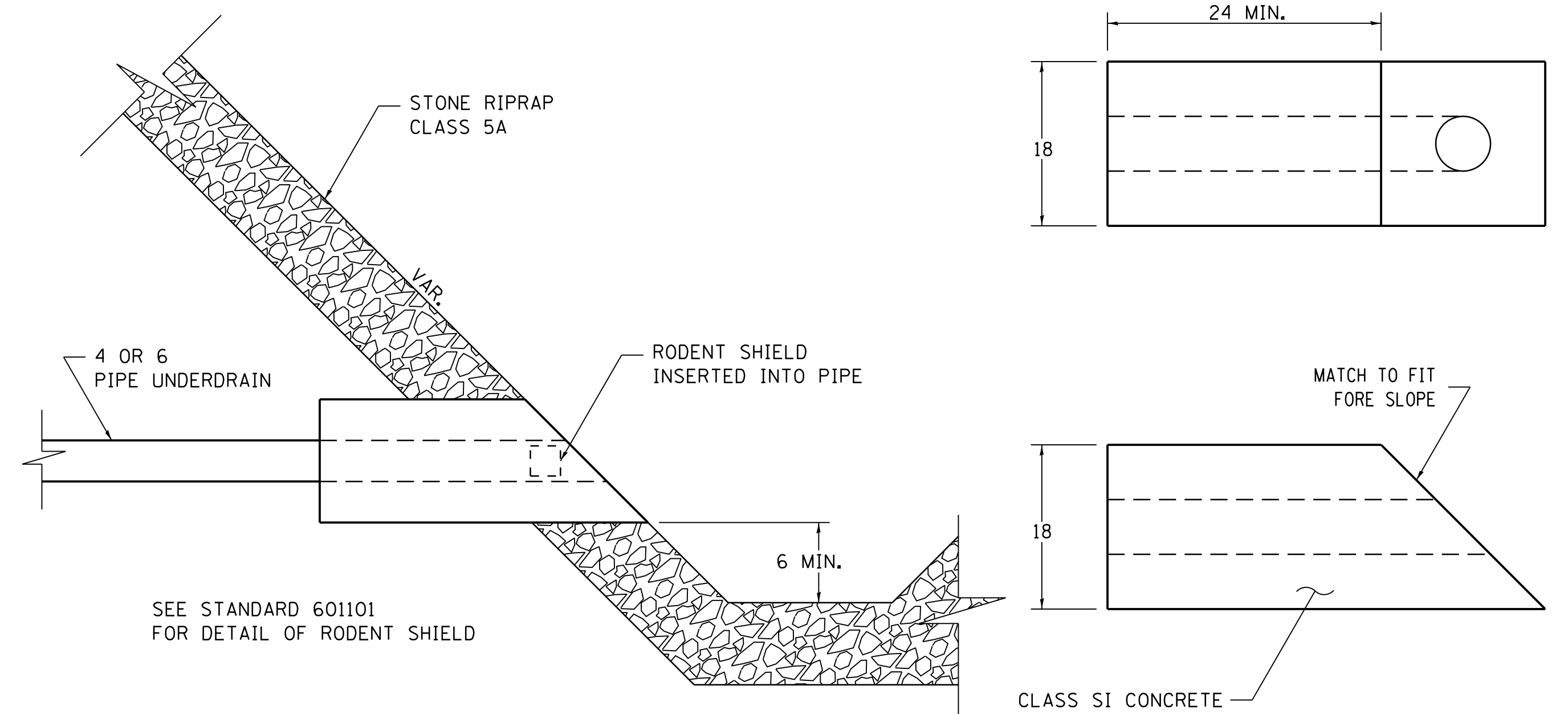
REMOVAL OF MATERIAL FOR PLACEMENT OF THE HOT-MIX ASPHALT SHOULDER TO BE PAID FOR IN UNITS FOR EXCAVATING AND GRADING EXISTING SHOULDERS OR IN CUBIC YARDS FOR EARTH EXCAVATION OR EARTH EXCAVATION WIDENING.

\*4% WHEN MAINLINE IS ON TANGENT. FOR CROSS SLOPE ON SUPERELEVATION SECTION, SEE HIGHWAY STANDARD 482001 OR 482006.

REVISED - 7-05-12

**HOT-MIX ASPHALT SHOULDER 23.4a**

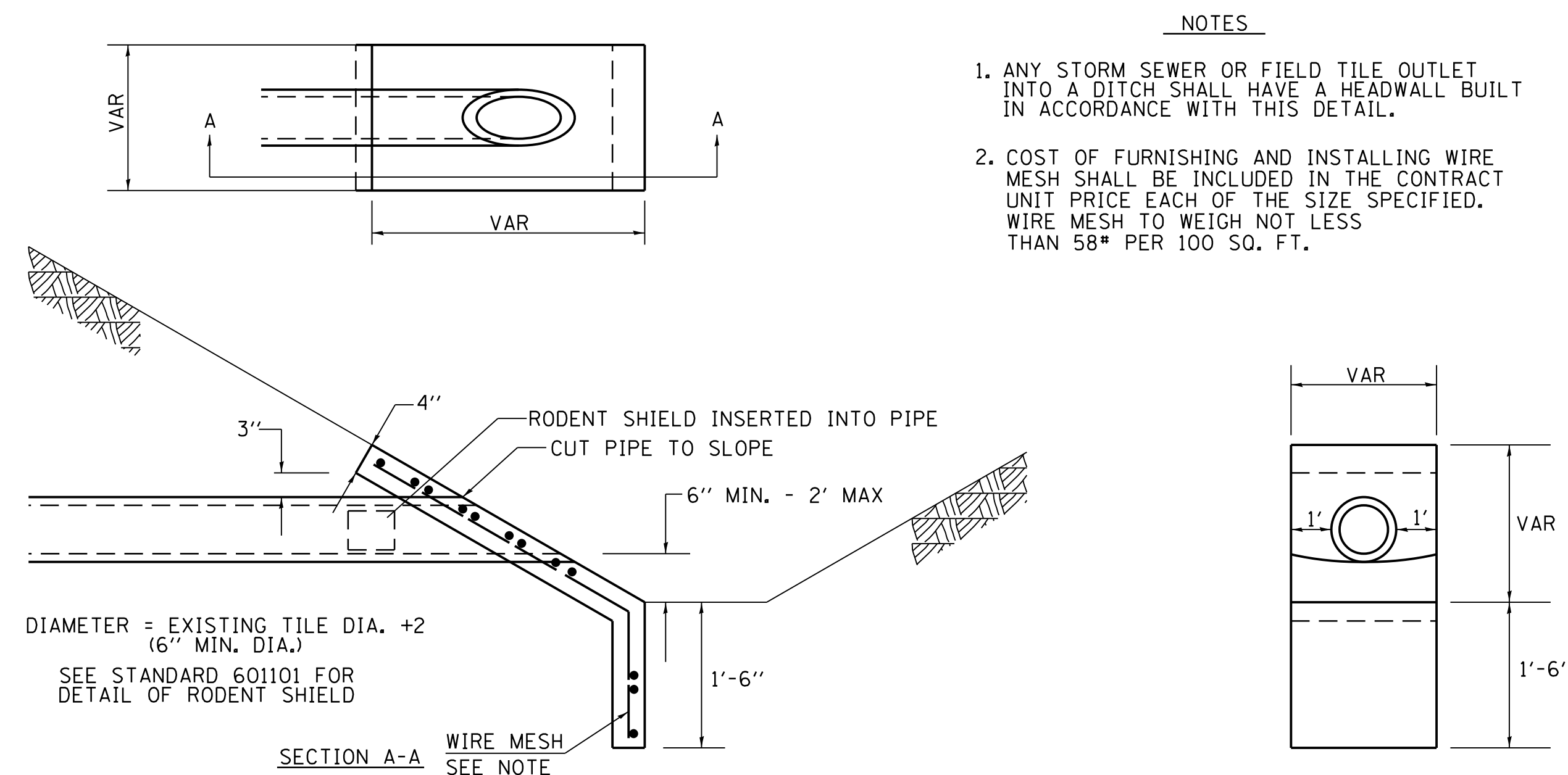
# CONCRETE HEADWALLS FOR PIPE DRAINS



REVISED - 10-3-11

**CONCRETE HEADWALLS FOR PIPE DRAINS 27.4**

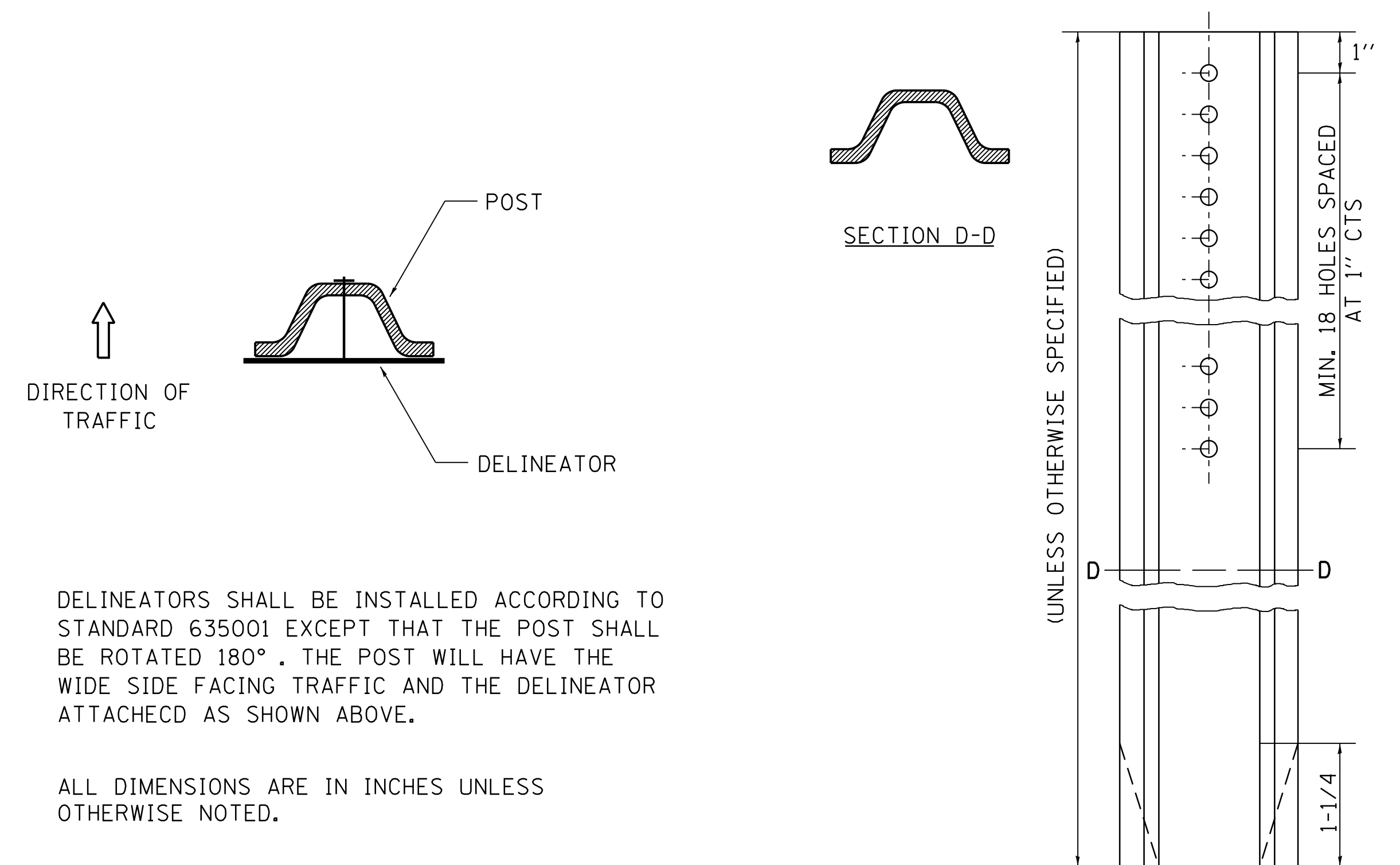
# CAST-IN-PLACE REINFORCED CONCRETE END SECTIONS



REVISED - 10-09-10

**CAST-IN-PLACE REINFORCED CONCRETE END SECTIONS 28.4**

# DELINEATOR AND POST ORIENTATION



REVISED - 10-3-11

**REGION 2 / DISTRICT 2 STANDARD**

REVISED -

REVISED -

REVISED -

SCALE: 20.0000' / 1" SHEET NO. OF SHEETS STA. TO STA.

F.A.S. RTE.	SECTION	COUNTY	TOTAL SHEETS	SHEET NO.
226	3T & 3BR-1	HENRY	210	99
				CONTRACT NO. 64F25

FED. ROAD DIST. NO. ILLINOIS FED. AID PROJECT

**DELINEATOR AND POST ORIENTATION 37.4**