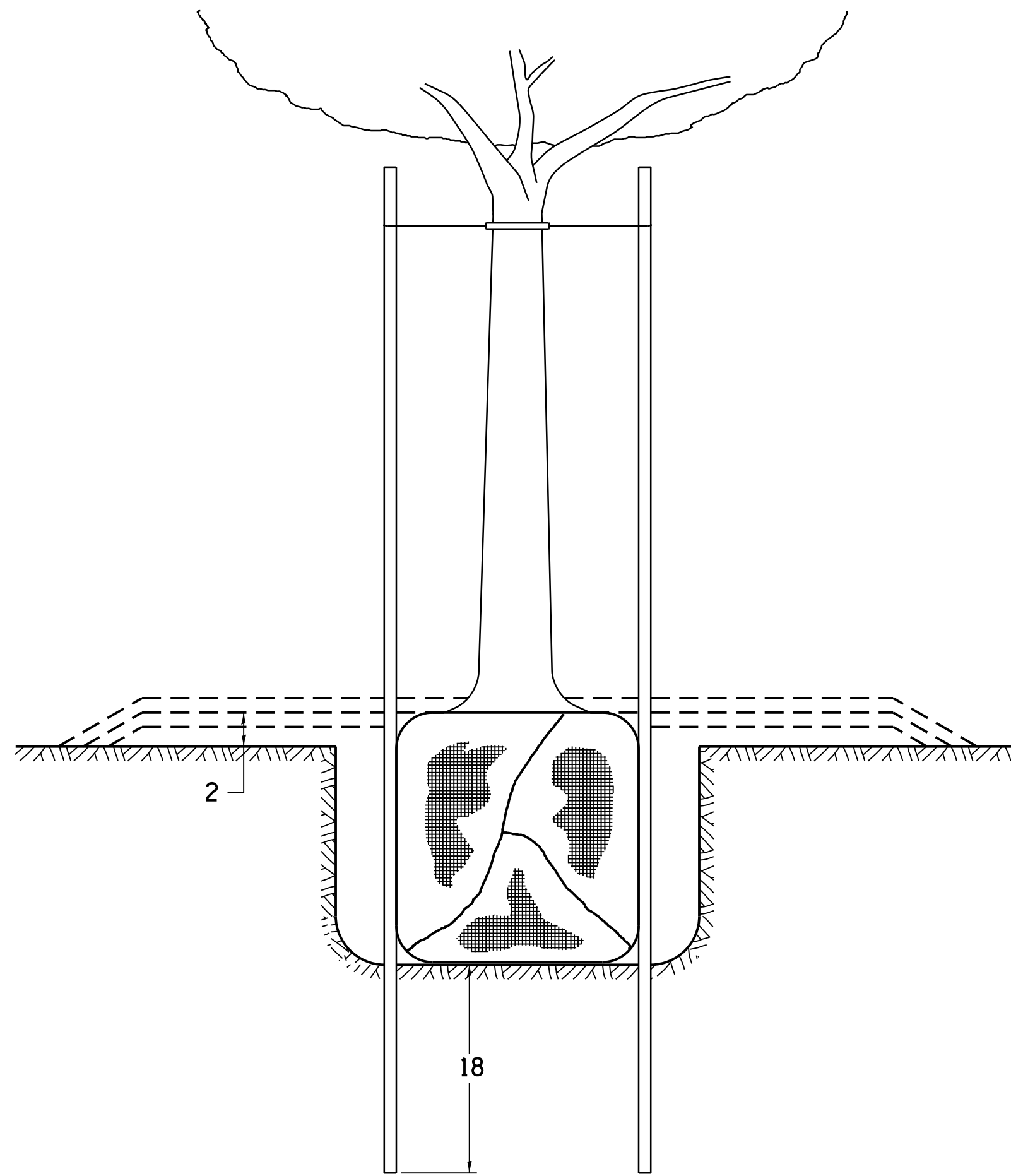
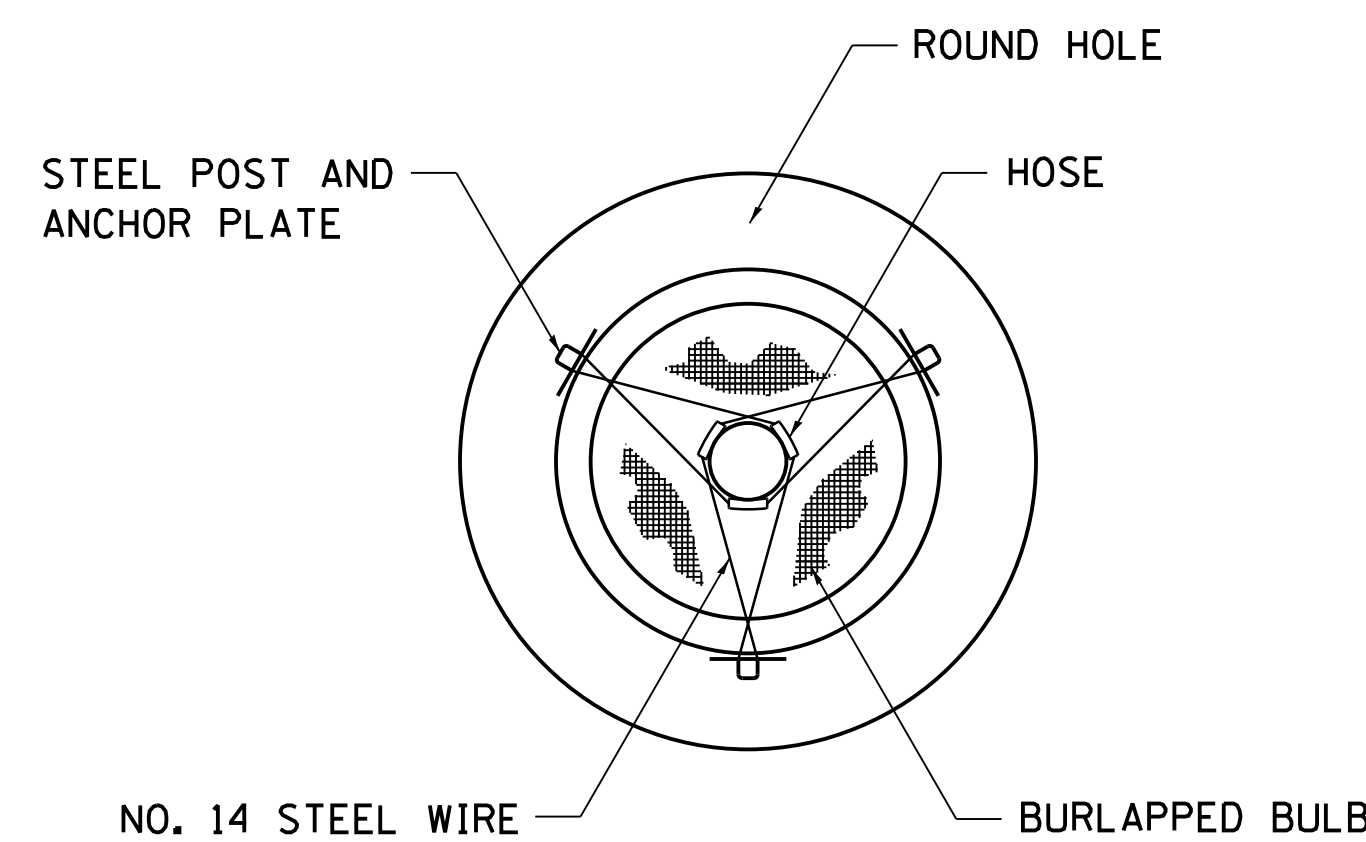


# DETAILS OF PLANTING AND BRACING TREES

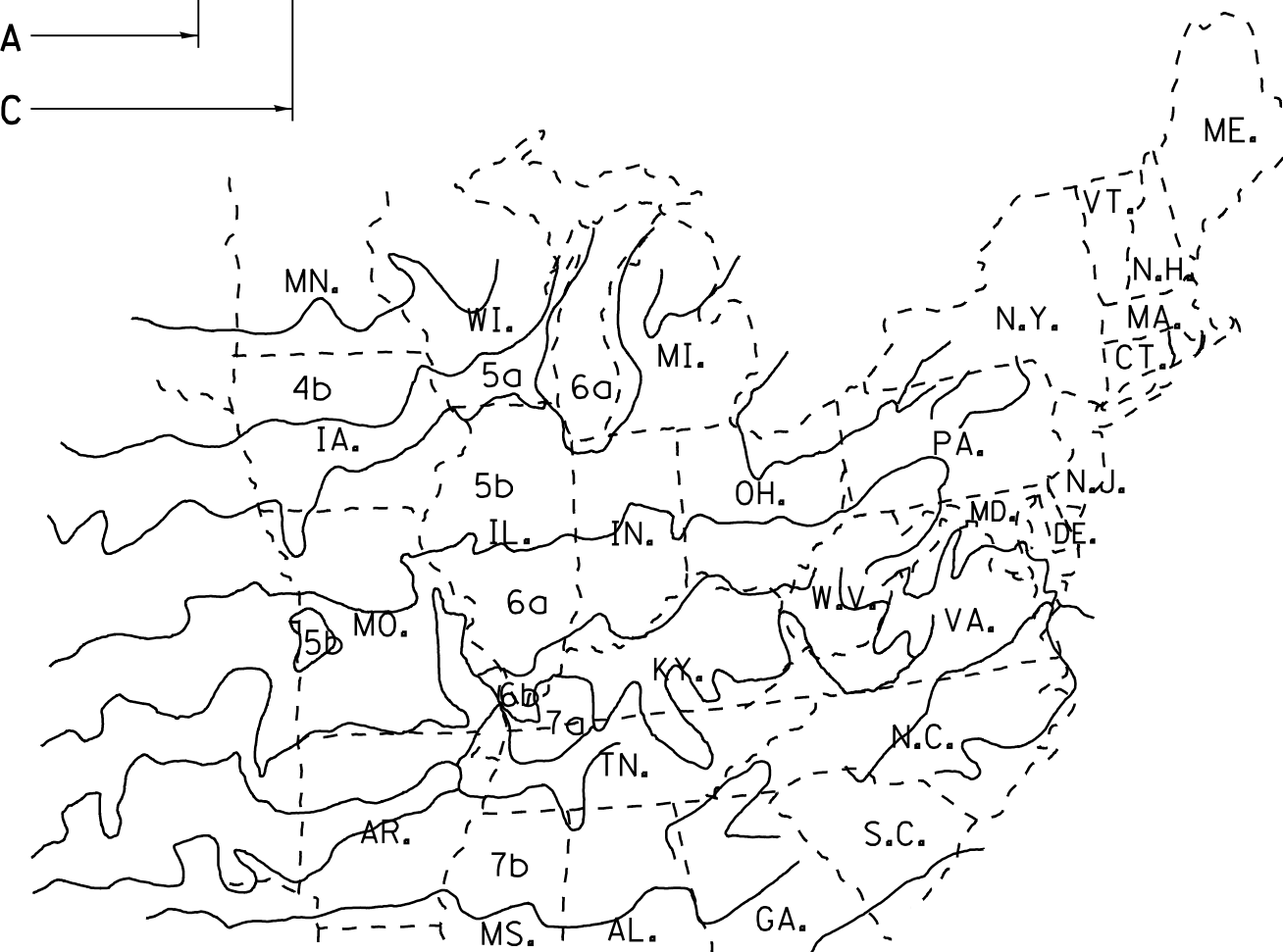
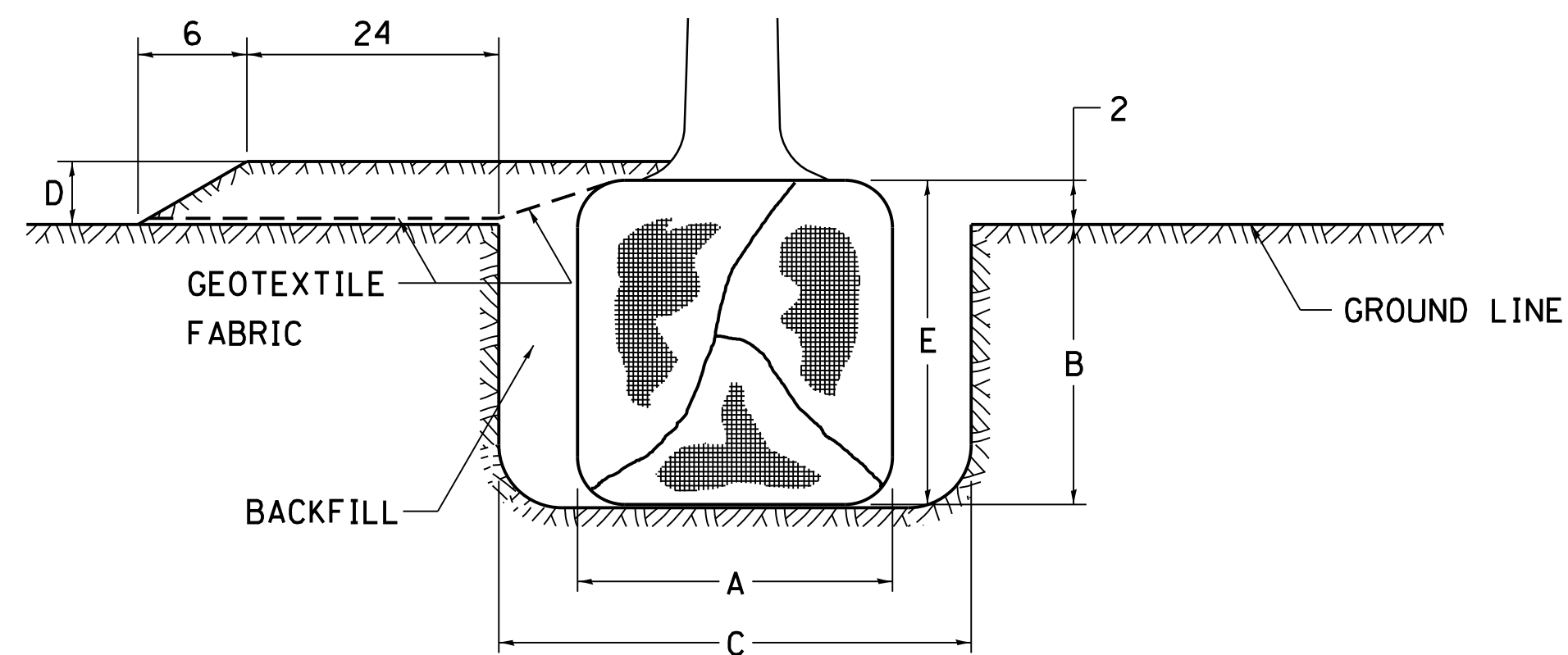


TREES SMALLER THAN 4 1/2 IN DIAMETER

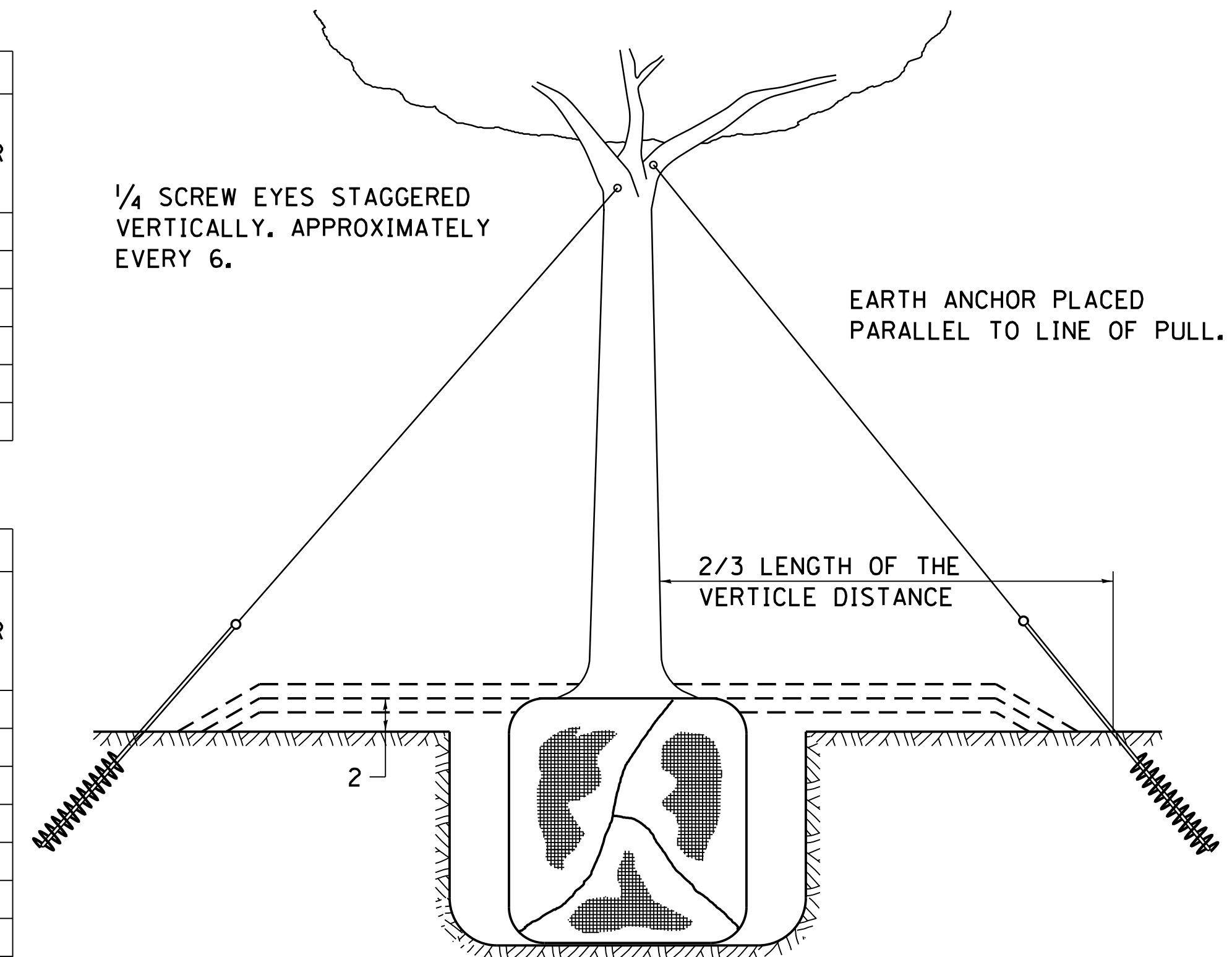


SMALL	A	B	C	D	E	F
TREE SIZE	DIAMETER OF BALL OR ROOT SYS.	DEPTH OF HOLE EXCAVATION	WIDTH OF HOLE EXCAVATION	THICKNESS OF MULCH COVER	DEPTH OF BALL OR ROOT SYS.	VOLUME OF MULCH COVER CU. YDS.
5'-6'	16	10	30	4	12	0.54
5'-6' BB	16	10	30	4	12	0.54
6'-7' BB	18	12	30	4	14	0.54
7'-8' BB	20	11	30	4	13	0.54
8'-10' BB	24	14	36	4	16	0.61
10'-12' BB	26	15	36	4	17	0.61

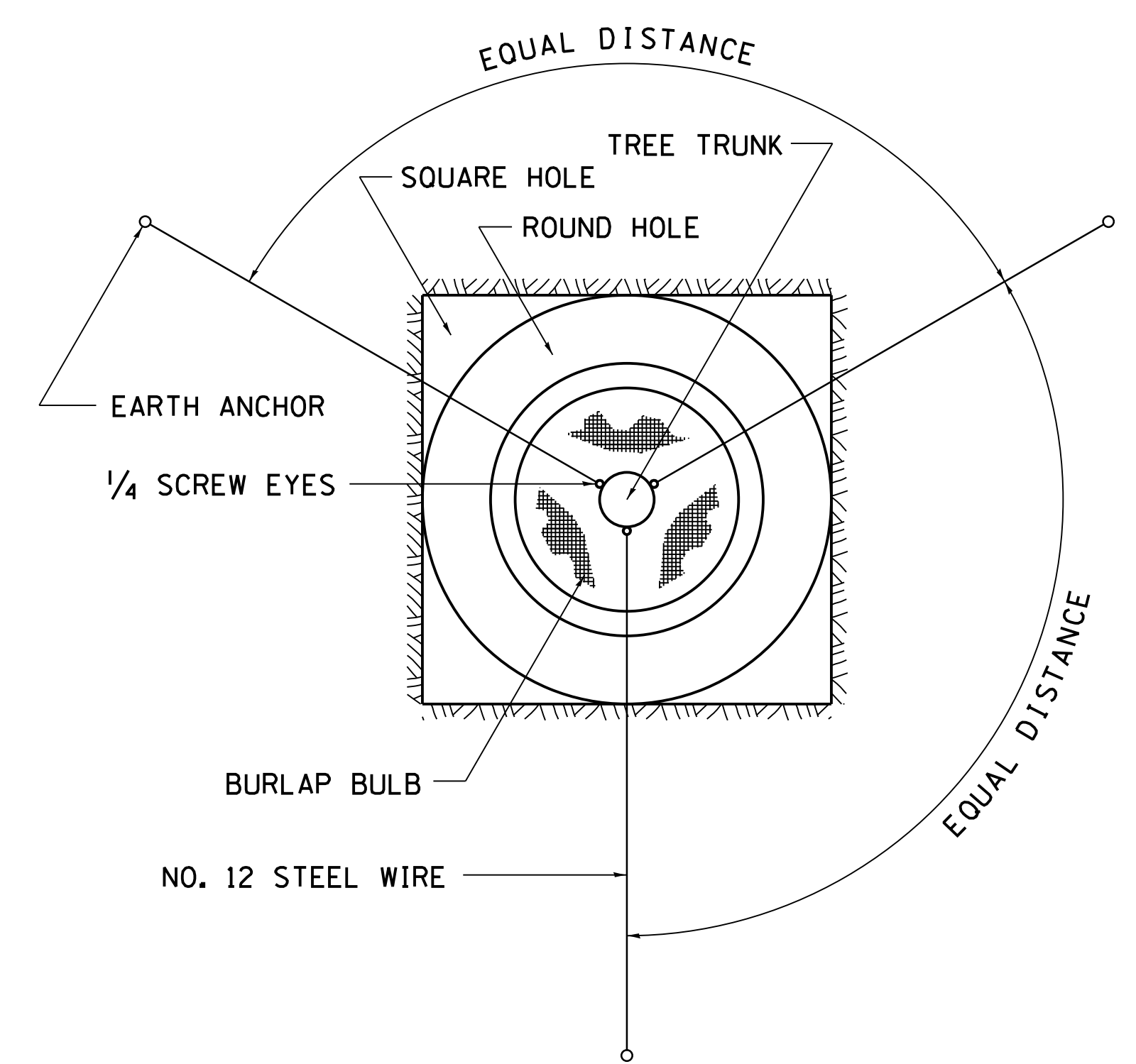
LARGE	A	B	C	D	E	F
TREE SIZE	DIAMETER OF BALL OR ROOT SYS.	DEPTH OF HOLE EXCAVATION	WIDTH OF HOLE EXCAVATION	THICKNESS OF MULCH COVER	DEPTH OF BALL OR ROOT SYS.	VOLUME OF MULCH COVER CU. YDS.
0-2	20	11	36	4	13	0.61
2-2 1/2 BB	24	14	48	4	16	0.78
2 1/2-3 BB	28	17	48	4	19	0.78
3-3 1/2 BB	32	17	60	4	19	0.96
3 1/2-4 BB	36	20	60	4	22	0.96
4-4 1/2 BB	40	22	72	4	24	1.16
4 1/2-5 BB	44	24	72	4	26	1.16
5-5 1/2 BB	48	27	84	4	29	1.38



PLANT HARDINESS ZONE MAP  
U.S. DEPARTMENT OF AGRICULTURE  
AGRICULTURAL RESEARCH SERVICE  
PUBLICATION NO. 814



TREES OVER 4 1/2 IN DIAMETER



ALL DIMENSIONS ARE IN INCHES  
UNLESS OTHERWISE NOTED.

FILE NAME =	USER NAME = cushmenbw	DESIGNED -	REVISED - 10-18-11
ca:\pwork\pwork\cushmenbw\d0169166\0208809-shr-deta1.s.dgn		DRAWN -	REVISED -
		CHECKED -	REVISED -
		DATE -	REVISED -

STATE OF ILLINOIS  
DEPARTMENT OF TRANSPORTATION

REGION 2 / DISTRICT 2 STANDARD

SCALE: SHEET NO. OF SHEETS STA. TO STA.

F.A.S. RTE.	SECTION	COUNTY	TOTAL SHEETS	SHEET NO.
226	3T & 3BR-1	HENRY	210	109
CONTRACT NO. 64F25				
FED. ROAD DIST. NO. ILLINOIS FED. AID PROJECT				