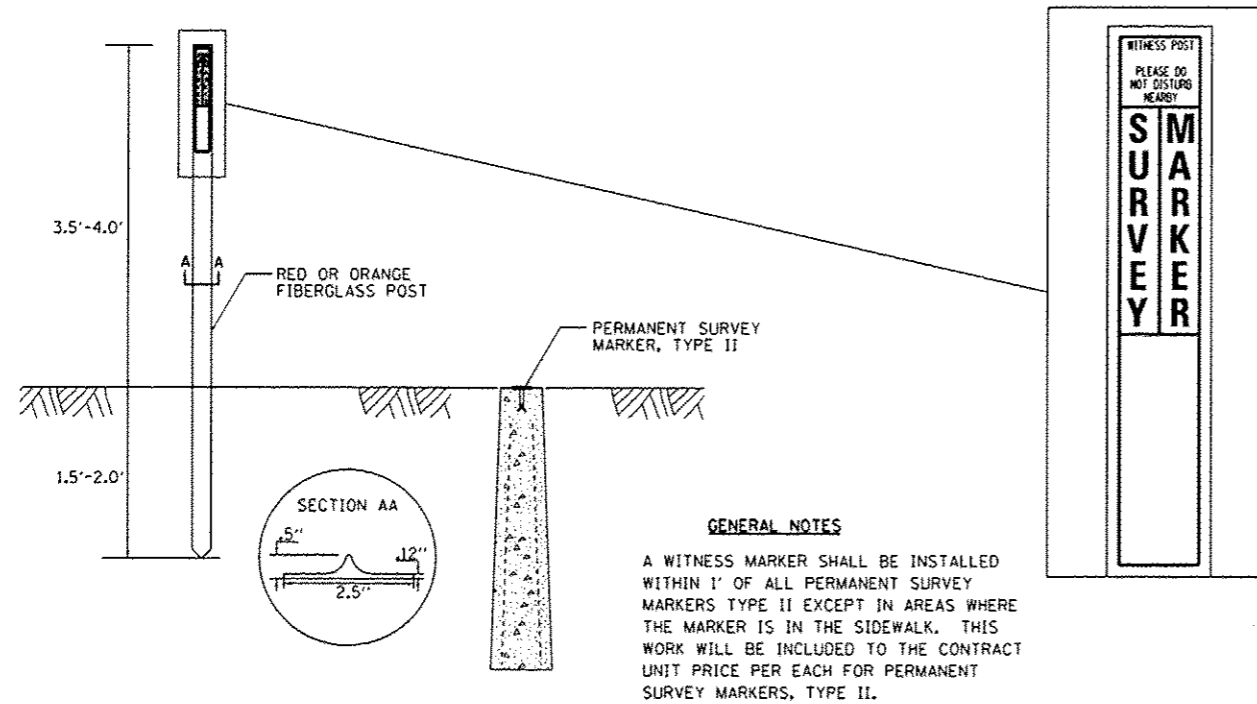
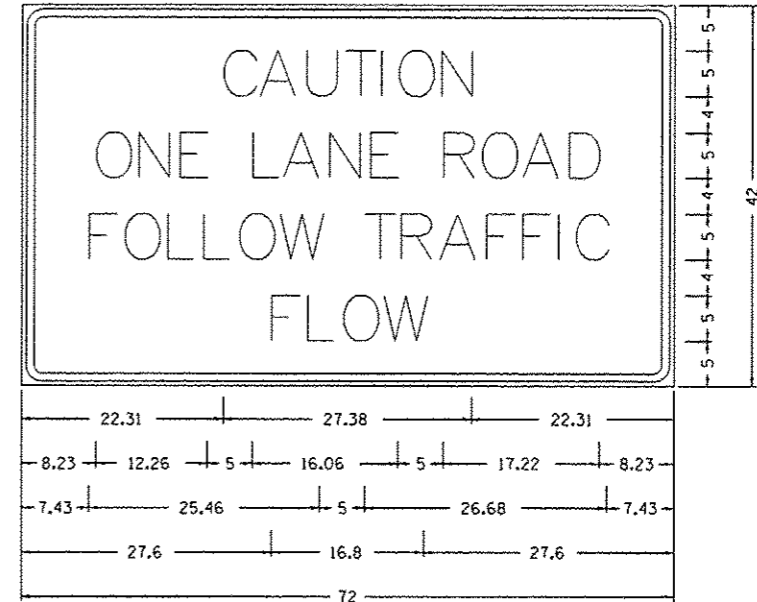


WITNESS MARKER FOR PERMANENT SURVEY MARKERS, TYPE II



ENTRANCE SIGN FOR USE WITH TEMPORARY SIGNALS



Type AA Fluorescent Orange Sheeting :
 2.25" Radius, 0.88" Border, 0.50" Indent, Black on Orange;
 [CAUTION] D; [ONE LANE ROAD] D;
 [FOLLOW TRAFFIC] D; [FLOW] D

Table Of Widths And Spaces

22.31	C	3.36	A	0.62	4.18	0.94	U	3.36	0.94	T	3.04	0.94	I	0.78	1.17	O	3.52	1.17	N	3.36	22.31
8.23	O	3.51	1.17	N	3.36	1.18	E	3.04													
	L	3.05	0.31	A	4.18	0.94	N	3.36	1.17	E	3.05										
	R	3.36	0.93	O	3.52	0.94	A	4.18	0.93	D	3.36	8.23									
7.43	F	3.04	0.94	O	3.52	1.17	L	3.04	0.94	L	3.05	0.94	O	3.51	0.94	W	4.37				
	T	3.05	0.94	R	3.36	0.94	A	4.18	0.93	F	3.05	0.94	F	3.04	0.94	I	0.78	1.18	C	3.35	7.43
27.60	F	3.05	0.94	L	3.04	0.94	O	3.52	0.93	W	4.38	27.60									

GENERAL NOTES

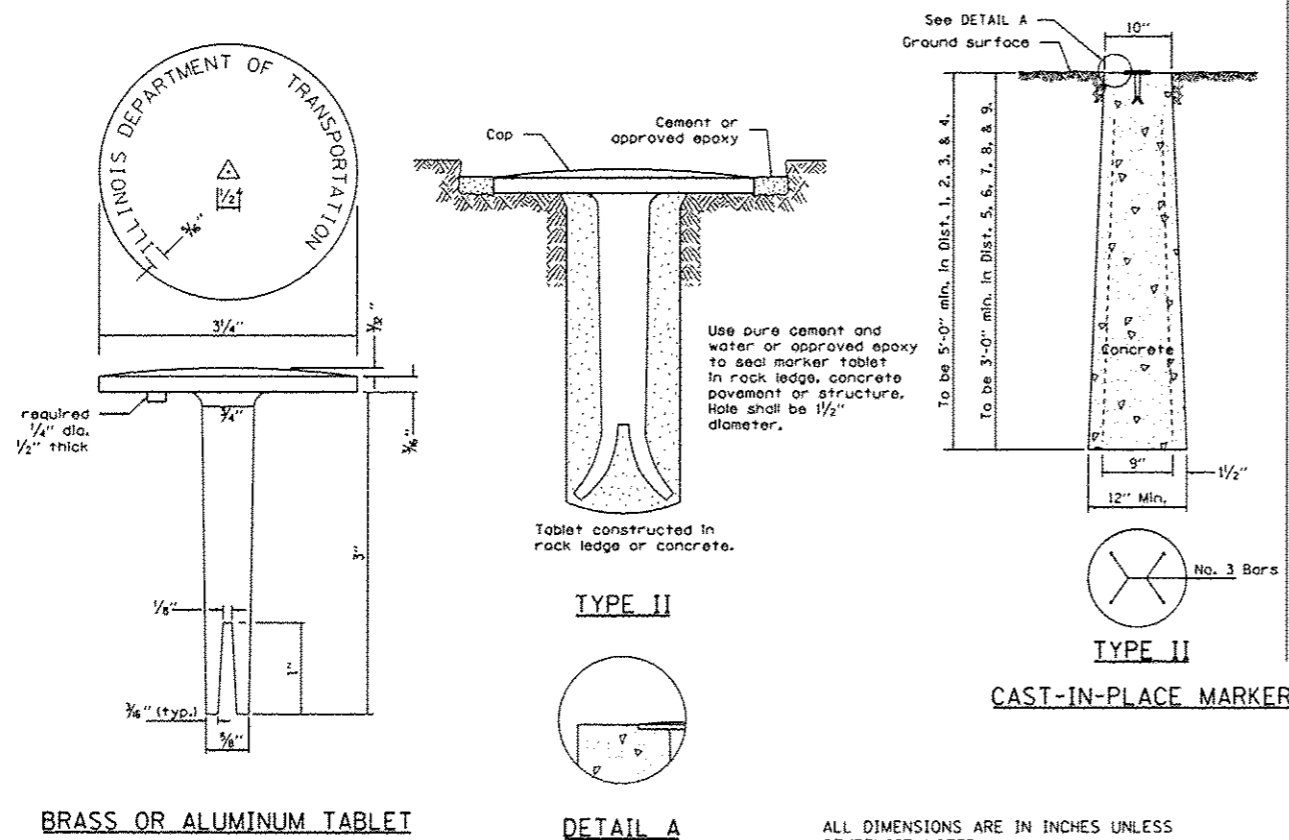
THIS SIGN SHALL BE INSTALLED AT ENTRANCES LOCATED BETWEEN THE TEMPORARY SIGNALS AS DIRECTED BY THE ENGINEER.

ALL DIMENSIONS ARE IN INCHES UNLESS OTHERWISE NOTED.

THE COST TO FURNISH, INSTALL AND REMOVE THIS SIGN AT THE REQUIRED LOCATIONS SHALL BE INCLUDED IN THE COST OF TRAFFIC CONTROL AND PROTECTION STANDARD 701321.

ALL DIMENSIONS ARE IN INCHES UNLESS OTHERWISE NOTED.

PERMANENT SURVEY MARKERS, TYPE II



REVISED - 10-14-11

ALL DIMENSIONS ARE IN INCHES UNLESS OTHERWISE NOTED.

REVISED - 10-14-11	REGION 2 / DISTRICT 2 STANDARD		F.A.P. RTE.	SECTION	COUNTY	TOTAL SHEETS	SHEET NO.
REVISED -			301	29T-2	JO DAVIESS	52	34
REVISED -			CONTRACT NO. 64H17				
REVISED -	SCALE: 100.0000	SHEET NO. OF SHEETS	STA. TO STA.	FED. ROAD DIST. NO. [ILLINOIS] FED. AID PROJECT			