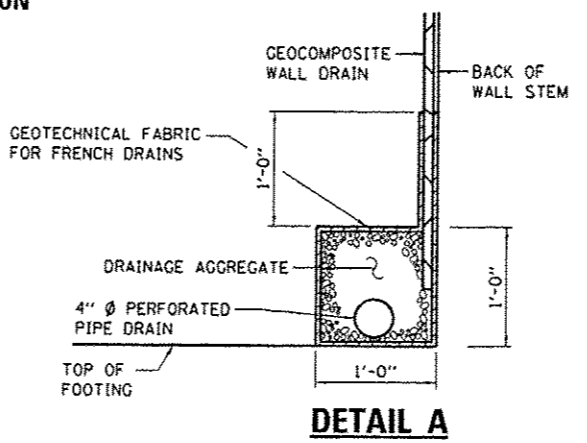
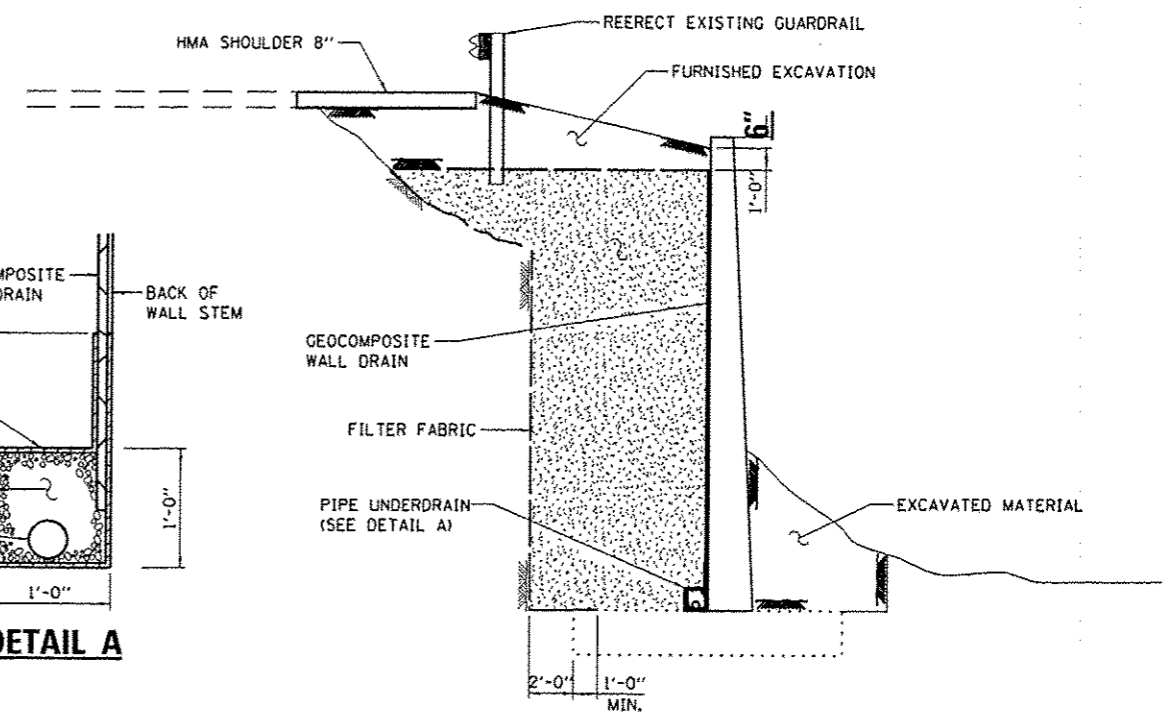


**EXISTING ELEVATION**

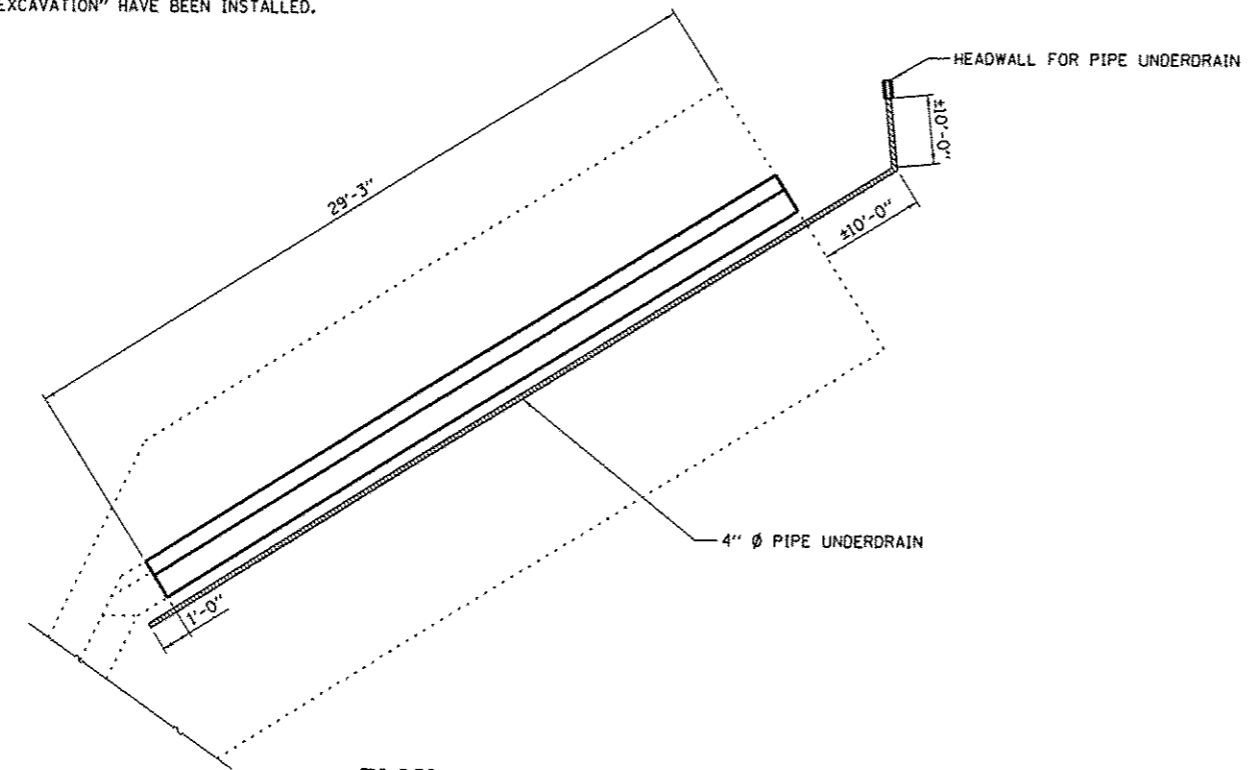


**DETAIL A**



**PROPOSED ELEVATION**

NOTE: EXISTING GUARDRAIL AND GUARDRAIL RETAINING WALL SHALL NOT BE REMOVED UNTIL BRACES ACCORDING TO THE SPECIAL PROVISION FOR "BRACED EXCAVATION" HAVE BEEN INSTALLED.



**PLAN**

FILE NAME *	USER NAME *	DESIGNED -	REVISED -
c:\p\work\p\std\woodshank-1\d0314887\366C52-shr-detailed.dgn	woodshankr1	RW	-
		DRAWN -	REVISED -
		RW	-
		CHECKED -	REVISED -
			-
		DATE -	REVISED -
			-

STATE OF ILLINOIS  
DEPARTMENT OF TRANSPORTATION

EXCAVATION AND BACKFILL DETAILS  
FOR STRUCTURE NO. 027-0017

F.A.P. RTE.	SECTION	COUNTY	TOTAL SHEETS	SHEET NO.
71	(113-RB)I	FORD	9	7
			CONTRACT NO. 66C52	
ILLINOIS FED. AID PROJECT				

SCALE: SHEET 2 OF 4 SHEETS STA. TO STA.